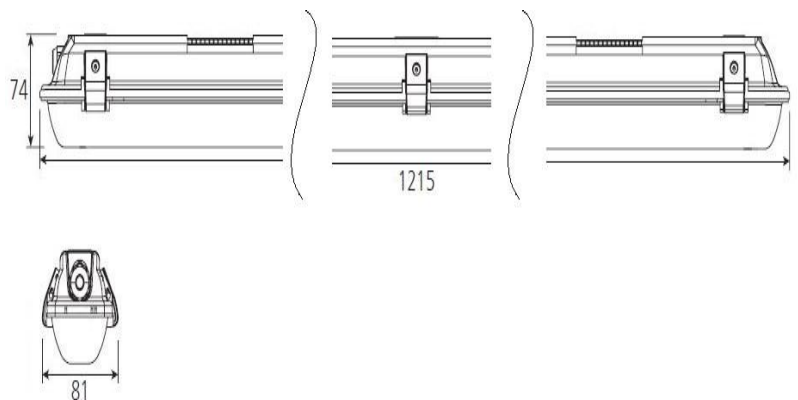


Integrated Power

WP SERIES WEATHERPROOF BATTEN - 20W 1200MM

The WP Series LED Battens offer a high quality and easy install external fitting range. This robust IP65 luminaire is built for outdoor commercial applications.



Features

- SMD LED technology
- Stainless Steel Mounting Clips
- Frosted Diffuser
- Robust Construction
- Replaces 1x 36W Fluoro

Applications

- Council Facilities
- Parks
- Schools
- Exterior Walls / Ceilings
- Commercial Buildings

Standard Specifications

- Rated input power - 20W
- 120 degree beam
- SMD LEDs
- IP65
- CRI>80
- 2000lm (4000K)
- IK08

Options List

Models List

Grey / 3000K	WP20GR3KN01	Special Order
Grey / 4000K	WP20GR4KN01	Stock Item
Grey / 5000K	WP20GR5KN01	Special Order

Accessories

IES Files

IES WP20GR4KN01 20W

1300 551 942
sales@integratedpower.net.au



 **Integrated**
POWER

* For full warranty terms and conditions visit www.integratedpower.net.au

Date : 14-2-2019