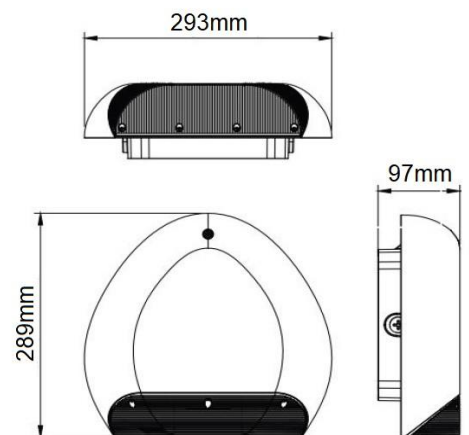
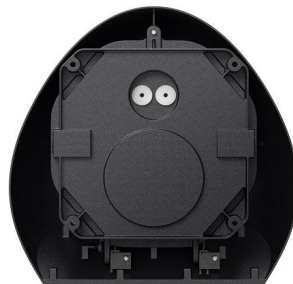


Integrated Power

WL SERIES LED WALL PACK LIGHT - 45W



The WL Series Wall Pack Light has a modern slimline design with a robust housing. With the specialized asymmetric optics, a low glare diffuser and the ability to control the output with 0-10V dimming, Integrated Power's new WL Series wall pack light suits even the most demanding commercial applications.



Features

- Weatherproof Design
- Robust aluminium alloy housing
- Switchable Colour Temperatures
- 0-10V Dimming
- Specialised optics for strong spill lighting control
- Low Glare Polycarbonate Diffuser
- Powder Coated Finish

Applications

- Commercial Buildings
- Facades
- Council Facilities
- Walkways
- Exterior Walls

1300 551 942

sales@integratedpower.net.au



Standard Specifications

- Rated Input Power: 45W
- Lumen Output: 5,850lm
- Colour Temp: 3CCT (3000K/4000K/5000K)
- CRI Rating: Ra80
- Beam Angle: Short Type IV Asymmetric
- Operating Temperature: -30/+50degC
- Service Life: L90 / 54,000hrs
- IK Rating: IK10
- IP Rating: IP66
- Weight: 2.3kg +/-0.3kg

Options List

Models List

| | | |
|-------|-------------|---------------|
| Black | WL45BKXKD01 | Special Order |
|-------|-------------|---------------|

Accessories

IES Files

IES WL45BKXKD01 45W 4000K
IES WL45BKXKD01 35W 4000K
IES WL45BKXKD01 25W 4000K
IES WL45BKXKD01 15W 4000K

1300 551 942

sales@integratedpower.net.au



Integrated
POWER

* For full warranty terms and conditions visit www.integratedpower.net.au

Date : 02-12-2021