

# TekBar Linear - Low Glare Diffused

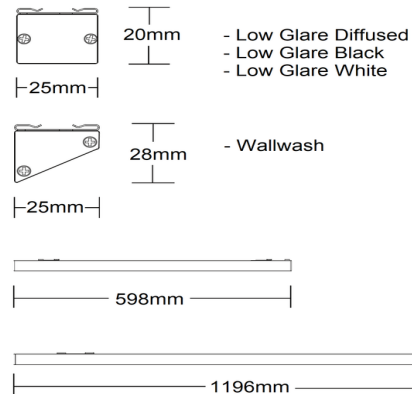
## T-BAR CEILING LED LIGHTING 13W - 600MM



**TekBar Linear**  
By Integrated Power



TekBar Linear by Integrated Power is the latest LED lighting innovation for t-bar ceilings. Get creative and give your office space a modern boost with this stylish, slimline linear lighting. Usable as an architectural feature for conference and reception areas or simply light up the whole office space. Fast to install, they are perfect for either retrofits or new buildings.



### Features

- Simple clip-on installation onto ceiling t-bar
- Cost effective linear lighting
- Endless design possibilities
- High quality Philips Lumiled LED chips
- Reliable Meanwell drivers
- 1-10V dimmable
- Low glare diffuser

### Applications

- Receptions
- Boardrooms
- Offices
- Hallways
- Conference Rooms
- Hospitals
- Schools

## Standard Specifications

- Rated Input Power: 13W
- Lumen Output: 1280lm
- Colour Temp: 4000K (3000K, 5000K optional)
- Beam Angle: 80deg
- CRI: >80
- Service Life - L70 / 50,000hrs
- UGR<21 Capable
- SDCM <4
- IP Rating: IP20

## Options List

- Mains Dimmable /DIM
- DALI Dimmable /DALI

## Models List

White / 4000K

TBL13WH4KD02

Special Order

\* Please note, TekBars are sold individually and will require additional control gear for operation. Please contact us on 1300 551 942 for further details & assistance.

## Accessories

75W Dimmable 1-10V Driver	/TBL75DR01
150W Dimmable 1-10V Driver	/TBL150DR01
1-10V Dimmer Control	/TBL1DIM/1-10V
1.2m DC Extension Cable	/TBL1.2DCEXT

## IES Files

IES TBL13WH4KD02 80deg 4000K 13W

**1300 551 942**

sales@integratedpower.net.au



**Integrated**  
POWER

\* For full warranty terms and conditions visit [www.integratedpower.net.au](http://www.integratedpower.net.au)

Date : 26-11-2020