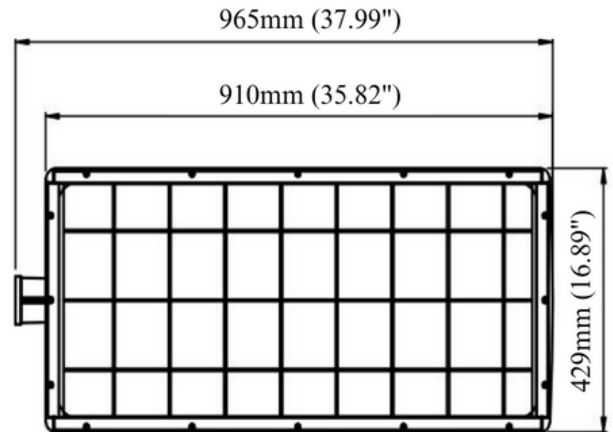
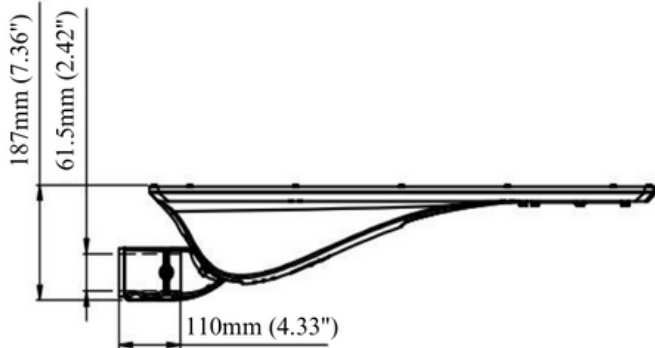


SSA Series

ALL-IN-ONE SOLAR LED STREETLIGHT 50W



The SSA Series LED solar streetlight is the latest edition to Integrated Power's range of solar lighting. The SSA Series streetlight is an all-in-one fitting, integrating the battery, controller and the solar panel into a compact modern looking streetlight. With flexible programming modes, it can be customised via a remote control to ensure maximum performance, taking into account the sunlight conditions available.



Features

- IP65 Weatherproof
- Adjustable horizontal or vertical spigot arm
- Multiple spigot size available
- Intelligent control modes
- PIR Motion/Timer dimming options
- All aluminium alloy fitting construction
- High quality LiFeP04 battery

Applications

- Portable Lighting
- Carparks
- Walkways
- Estates
- Parks
- Showgrounds



Standard Specifications

- Rated Input Power: 50W
- Lumen Output: 10,000lm
- Colour Temperature: 4000K (5000K, 3000K optional)
- CRI Rating: CRI>80
- SDCM Rating: < 5
- Panel Size: 60W
- IP Rating: IP65
- Battery Capacity: 384Wh
- EPA Rating: 0.46m²
- Operating Temperature: 0°C - 50°C
- Service Life: L80/64000hrs
- Spigot Size: 60mm OD
- Fitting Weight: 14.4kg (+/- 0.3kg)

Option List

Models List

Silver / 3000K	SSA50SI3KN01
Silver / 4000K	SSA50SI4KN01
Silver / 5000K	SSA50SI5KN01

Accessories

Remote Control	SSA20REM01
Bird Spike Kit	SSA40BSK01
Spigot Arm Adaptor - 76mm	SSA40ADP76
Wall Mount Bracket	SL2WADP01
Right Angle Pole Adaptor - 90mm	SL2RADP90
Dual Spigot Adaptor - 60mm	SL2ADP60D
Dual Spigot Adaptor - 76mm	SL2ADP76D
100mm Square Pole ADP - Single	SL2ADP100SQS
100mm Square Pole ADP - Double	SL2ADP100SQD

IES Files

IES SSA50SI3KN01 50W 3000K
IES SSA50SI4KN01 50W 4000K
IES SSA50SI5KN01 50W 5000K

