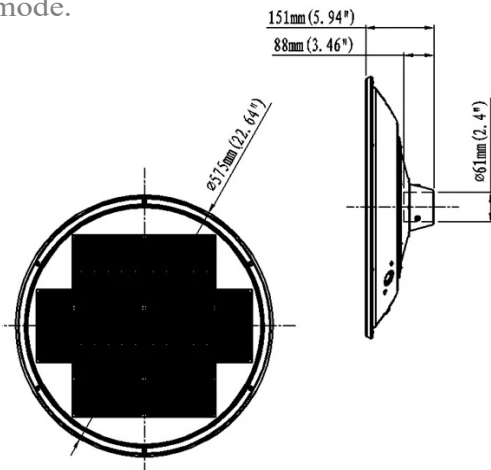


# Integrated Power

## SPT1 SERIES SOLAR LED POLETOP LIGHT - 30W

The SPT Series solar LED post tops offer the latest LED chipsets and programmable MPPT controller. Simple to install, low UGR and modern looks, the SPT Series is the perfect fit for your next outdoor lighting project. The default settings are, 100% brightness for first 4 hrs when motion detected, then drop to 30% on standby. 60% for next 4hrs when motion detected and 20% standby. 10% for remaining time until sunrise. Hold time is 30 secs while in motion mode.



### Features

- IP65 Weatherproof
- All aluminium alloy fitting construction
- Intelligent control modes
- PIR Motion/Timer dimming options
- Programmable via remote control (optional extra)
- High quality LiFeP04 battery
- 3 year warranty

### Applications

- Parks
- Walkways
- Education Campus'
- Council Facilities
- Estates

## Standard Specifications

- Rated Input Power: 30W
- Lumen Output: 3900m @ 30W
- CRI: Ra>80
- Colour Temp: 4000K (5000K Optional)
- Service Life: L80/64000hrs
- Operating Temp: 0 - 50 degC
- Battery Capacity: 230.4Wh
- Panel Type: 30W Mono-Crystalline
- Spigot Size: 60mm OD
- Weight: 7.8kg +/- 0.3kg

## Options List

## Models List

Black / 3000K	SPT130BK3KN01	Special Order
Black / 4000K	SPT130BK4KN01	Special Order
Black / 5000K	SPT130BK5KN01	Special Order

## Accessories

Remote Control	SPT130REM01
----------------	-------------

## IES Files

IES SPT130BK4KN01 30W

**1300 551 942**

sales@integratedpower.net.au



**Integrated**  
POWER

\* For full warranty terms and conditions visit [www.integratedpower.net.au](http://www.integratedpower.net.au)

Date : 19-1-2022