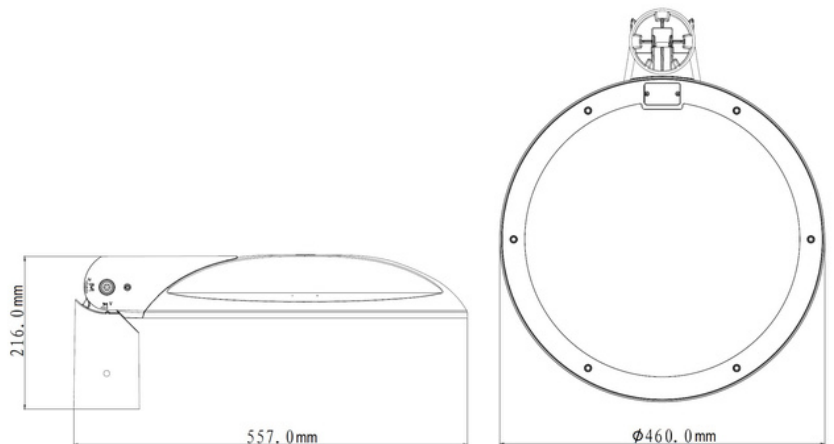


SL3 Series

LED STREETLIGHT WHITE - 90W



Integrated Power's new SL3 Series LED streetlights offer a slim, modern design, perfect for upgrading dated fittings or for new installations. The SL3 streetlight offers highly efficient LED chips and running gear in a well constructed housing.



Features

- Premium quality Philips LEDs
- High efficiency, up to 140lm/W
- Wide range of asymmetric optics
- 1-10V dimmable
- Aluminium alloy construction
- Adjustable arm for horizontal & vertical spigots
- 76mm (included) & 60mm spigot adaptor options

Applications

- Roadways
- Car Parks
- Walkways
- Car Yards
- Parks



Standard Specifications

- Rated Input Power: 90W
- Lumen Output: 12,600lm
- Colour Temperature: 3000K/4000K/5000K
- CRI Rating: CRI>70 (CRI>80 Optional)
- Operating Temperature -30/+40°C
- EPA (Sail Area): 0.141m²
- Service Life: L90B10 / >46,000hrs @ 25°C Ta
- IP Rating: IP66
- IK Rating: IK08
- Fitting weight: 7.8kg +/- 0.3kg
- Suits 76mm OD spigot

Applications

- DALI Dimming /DALI

Models List

White / Type II Medium / 3000K	SL390WH3KD01
White / Type II Medium / 4000K	SL390WH4KD01
White / Type II Medium / 5000K	SL390WH5KD01

Accessories

Spigot Arm Adaptor - 60mm White SL3ADP60W

IES Files

IES SL390BK4KD01 90W 4000K

