

A

A

B

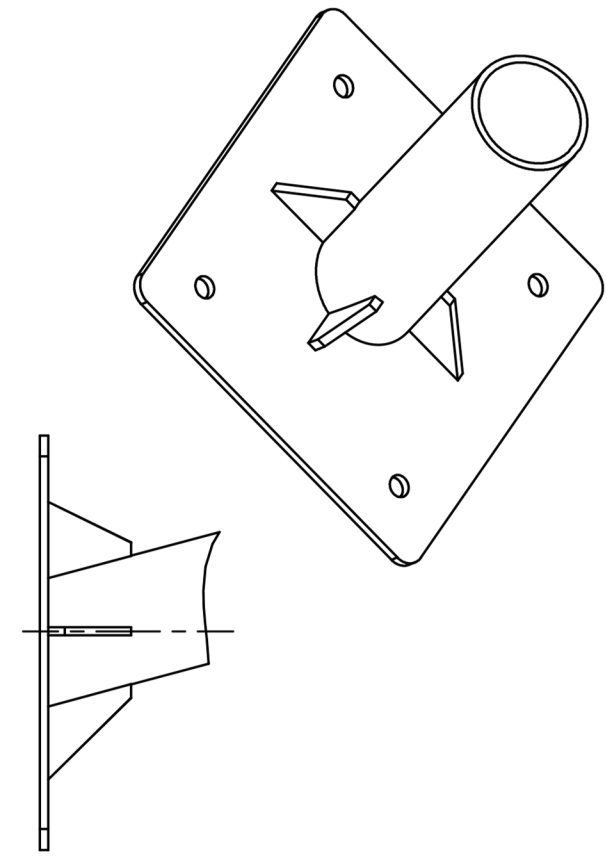
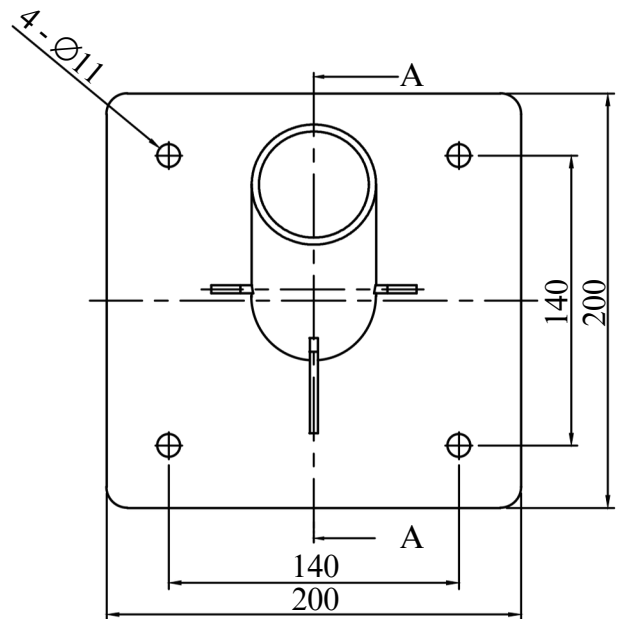
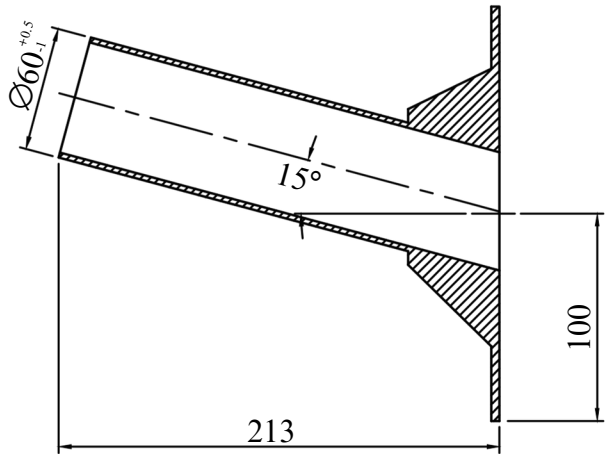
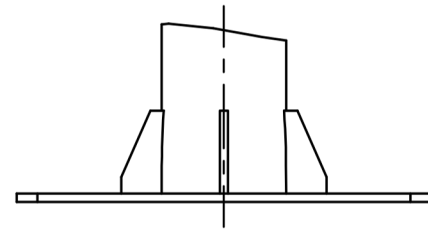
B

C

C

D

D



Model: SL2WADP01

