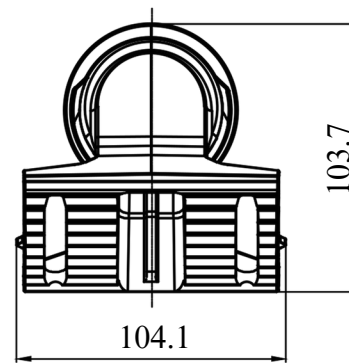
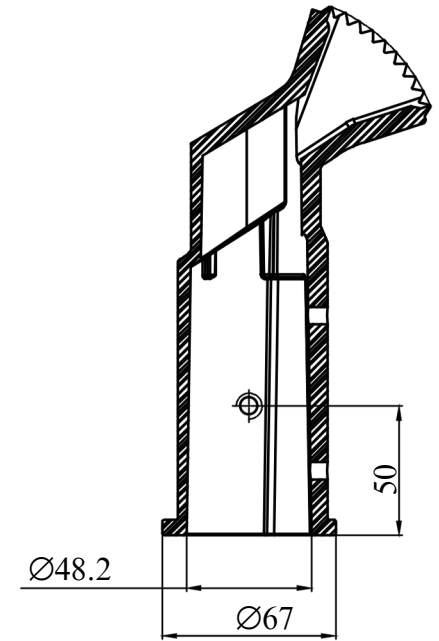
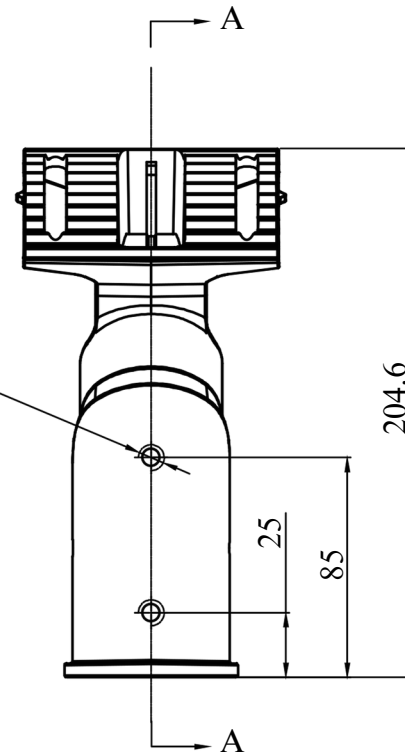


4 - M10 * P1.5



Model: SL2ADP42

 **Integrated**
POWER