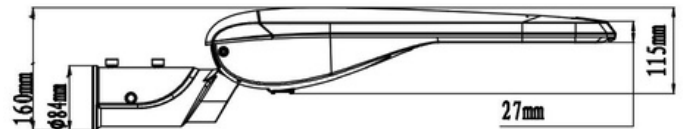
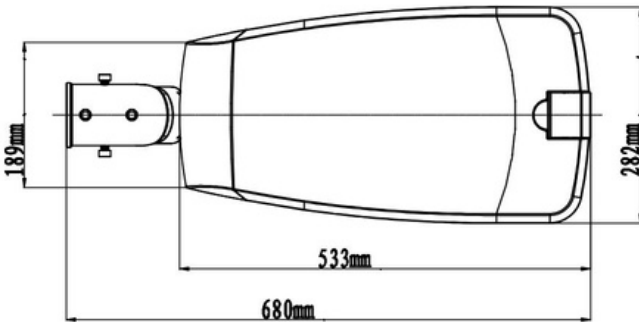


SL2 Series

LED STREETLIGHT - 90W SILVER



The SL2 Series LED streetlight range offer a reliable and modern LED solution for new installations and retrofits. The high output Nichia LED chips can utilise a 'Batwing' distribution lens system to ensure a wide and even spread of light, which is perfect for carparks and roadways. The smooth top surface limits the build up of dirt and debris.



Features

- High output Nichia LEDs
- All aluminium and stainless steel fitting construction
- Tool free, easy fitting access
- Reversible arm for horizontal and vertical spigots
- Suits 60mm OD spigot (other sizes available)
- Auto isolation system
- PE cell and smart streetlighting options
- [IPX output control](#) compatible

Applications

- Roadways
- Carparks
- Walkways
- Caryards
- Parks



Standard Specifications

- Rated Input Power: 90W
- Lumen Output: 11,700lm
- Colour Temperature: 3000K/ 4000K/ 5000K
- CRI Rating: CRI>80
- SDCM Rating: < 3
- Operating Temperature: -30/+50°C
- EPA (Sail Area): 0.195m²
- Service Life: L90B10/>50,000@63°JT
- IP Rating: IP66
- IK Rating: IK08
- Fitting Weight: 6.8kg

Option List

- DALI Dimming /DALI
- 0-10V Dimming /0-10
- Casambi/ CAS
- IPX Output Control
(additional hardware required)

Models List

Silver / 5000K / 75x150 Degree	SL290SI5KN01
Silver / 5000K / 45x155 Degree	SL290SI5KN02
Silver / 5000K / 45x145 Degree	SL290SI5KN03
Silver / 4000K / 75x150 Degree	SL290SI4KN01
Silver / 4000K / 45x155 Degree	SL290SI4KN02
Silver / 4000K / 45x145 Degree	SL290SI4KN03
Silver / 3000K / 75x150 Degree	SL290SI3KN01
Silver / 3000K / 45x155 Degree	SL290SI3KN02
Silver / 3000K / 45x145 Degree	SL290SI3KN03

Accessories

Spigot Arm Adaptor - 34mm	SL2ADP34
Spigot Arm Adaptor - 42mm	SL2ADP42
Spigot Arm Adaptor - 76mm	SL2ADP76
Wall Mount Bracket	SL2WADP01
Right Angle Pole Adaptor - 90mm	SL2ADP90
Dual Spigot Adaptor - 60mm	SL2ADP60D
Dual Spigot Adaptor - 76mm	SL2ADP76D
100mm Square Pole ADP - Single	SL2ADP100SQS
100mm Square Pole ADP - Double	SL2ADP100SQD

IES Files

IES SL290SI5KN01 75x150deg 90W
IES SL290SI5KN02 45x155deg 90W
IES SL290SI5KN03 45x145deg 90W

