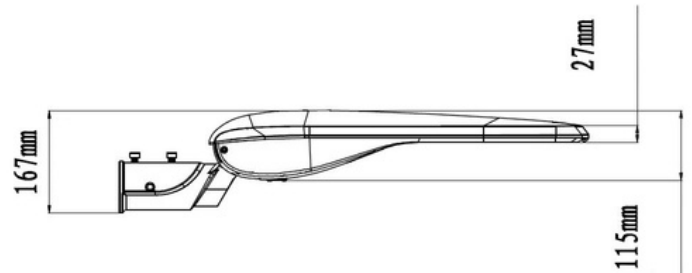
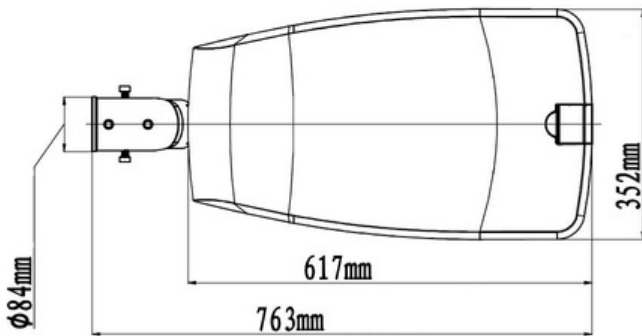


SL2 Series

LED STREETLIGHT - 150W SILVER



The SL2 Series LED streetlight range offer a reliable and modern LED solution for new installations and retrofits. The high output Nichia LED chips can utilise a 'Batwing' distribution lens system to ensure a wide and even spread of light, which is perfect for carparks and roadways. The smooth top surface limits the build up of dirt and debris.

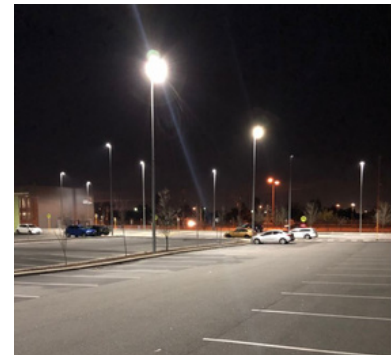


Features

- High output Nichia LEDs
- All aluminium and stainless steel fitting construction
- Tool free, easy fitting access
- Reversible arm for horizontal and vertical spigots
- Suits 60mm OD spigot (other sizes available)
- Auto isolation system
- PE cell and smart streetlighting options
- [IPX output control](#) compatible

Applications

- Roadways
- Carparks
- Walkways
- Caryards
- Parks



Standard Specifications

- Rated Input Power: 150W
- Lumen Output: 19,500lm
- Colour Temperature: 3000K/ 4000K/ 5000K
- CRI Rating: CRI>80
- SDCM Rating: < 3
- Operating Temperature: -30/+50°C
- EPA (Sail Area): 0.269m²
- Service Life: L90B10/>50,000@63°JT
- IP Rating: IP66
- IK Rating: IK08
- Fitting Weight: 9.2kg

Option List

- DALI Dimming /DALI
- 0-10V Dimming /0-10
- Casambi/ CAS
- IPX Output Control
(additional hardware required)

Models List

| | |
|--------------------------------|---------------|
| Silver / 5000K / 75x150 Degree | SL2150SI5KN01 |
| Silver / 5000K / 45x15 Degree | SL2150SI5KN02 |
| Silver / 5000K / 45x145 Degree | SL2150SI5KN03 |
| Silver / 4000K / 75x150 Degree | SL2150SI4KN01 |
| Silver / 4000K / 45x155 Degree | SL2150SI4KN02 |
| Silver / 4000K / 45x145 Degree | SL2150SI4KN03 |
| Silver / 3000K / 75x150 Degree | SL2150SI5KN01 |
| Silver / 3000K / 45x15 Degree | SL2150SI5KN02 |
| Silver / 3000K / 45x145 Degree | SL2150SI5KN03 |

Accessories

| | |
|---------------------------------|--------------|
| Spigot Arm Adaptor - 34mm | SL2ADP34 |
| Spigot Arm Adaptor - 42mm | SL2ADP42 |
| Spigot Arm Adaptor - 76mm | SL2ADP76 |
| Wall Mount Bracket | SL2WADP01 |
| Right Angle Pole Adaptor - 90mm | SL2ADP90 |
| Dual Spigot Adaptor - 60mm | SL2ADP60D |
| Dual Spigot Adaptor - 76mm | SL2ADP76D |
| 100mm Square Pole ADP - Single | SL2ADP100SQS |
| 100mm Square Pole ADP - Double | SL2ADP100SQD |

IES Files

IES SL2150SI5KN01 75x150deg 150W
IES SL2150SI5KN02 45x155deg 150W
IES SL2150SI5KN03 45x145deg 150W

