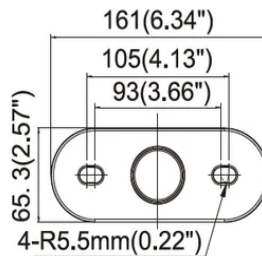
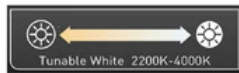


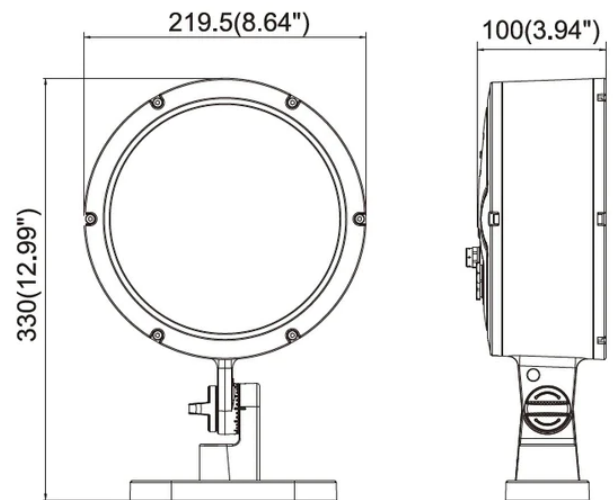
# Premiere Series

## DMX CONTROLLED TUNEABLE WHITE LED FLOODLIGHT - 35W SILVER

**DMX  
512**



The Premiere Series of LED floodlights by Integrated Power brings you into the world of colour controlled smart lighting. Compatible with multiple smart control systems such as Casambi, DMX and more. The wide range of optics make even the most challenging projects possible. Available in RGBW, RGB and Tuneable White.



### Features

- Heavy duty construction
- High quality LED chips
- Wide range of optics
- 3-pin DMX in & out control cables
- Clear lens standard
- Honeycomb lens option \*\* (excludes 3.8° and 8° narrow optics)
- Adjustable bracket included
- RGB & RGBW models available

### Applications

- Facades
- Bridges
- Sports Arenas
- Special Events
- Advertising
- Signage
- Commercial Buildings
- Landscapes

**1300 551 942**

sales@integratedpower.net.au



## Standard Specifications

- Rated Input Power: 35W / 240Vac
- Lumen Output: 3,500lm (clear leans)
- Lumen Output: 2,450lm (honeycomb lens\*\*)
- Colour Temp: 2200K - 4000K
- CRI Rating: CRI>80
- Operating Temperature: -30/+50 deg C
- EPA (Sail Area): 0.04m<sup>2</sup>
- Service Life: L70 / 77,000hrs
- Ingress Protection: IP66
- IK Rating: IK08
- Fitting weight: 3.7kg ± 0.3kg

## Options List

- DC Input Power /DCV
- Honeycomb Lens\*\* /HCL

## Models List

Silver / TW / 3.8 Degree Optic	PS35SITW03	Special Order
Silver / TW / 8 Degree Optic	PS35SITW08	Special Order
Silver / TW / 12 Degree Optic	PS35SITW12	Special Order
Silver / TW / 30 Degree Optic	PS35SITW30	Special Order
Silver / TW / 60 Degree Optic	PS35SITW60	Special Order
Silver / TW / 75 Degree Optic	PS35SITW75	Special Order
Silver / TW / 15x30 Degree Optic	PS35SITW1530	Special Order
Silver / TW / 20x60 Degree Optic	PS35SITW2060	Special Order

## Accessories

Visor / Glare Shield      PS35VISOR

## IES Files

IES PS35SITW03 35W 3.8deg  
IES PS35SITW08 35W 8deg  
IES PS35SITW12 35W 12deg  
IES PS35SITWB30 35W 30deg  
IES PS35SITW60 35W 60deg  
IES PS35SITW75 35W 75deg  
IES PS35SITW1530 35W 15x30deg  
IES PS35SITW2060 35W 20x60deg

**1300 551 942**

sales@integratedpower.net.au



**Integrated**  
POWER

\* For full warranty terms and conditions visit [www.integratedpower.net.au](http://www.integratedpower.net.au)

Date : 05-01-2023