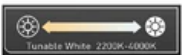


# Premiere Series

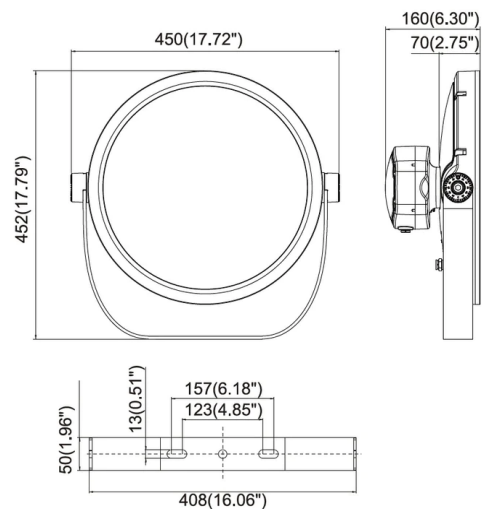
DMX CONTROLLED

TUNEABLE WHITE LED FLOODLIGHT - 150W SILVER

**DMX**  
**512**



The Premiere Series of LED floodlights by Integrated Power brings you into the world of colour controlled smart lighting. Compatible with multiple smart control systems such as Casambi, DMX and more. The wide range of optics make even the most challenging projects possible. Available in RGBW, RGB and Tuneable White.



## Features

- Heavy duty construction
- High quality LED chips
- Wide range of optics
- 3-pin DMX in & out control cables
- Clear lens standard
- Honeycomb lens option\* (excludes 3.8° and 8° narrow optics)
- U Bracket included
- RGB & RGBW models available

## Applications

- Facades
- Bridges
- Sports Arenas
- Special Events
- Advertising
- Signage
- Commercial Buildings
- Landscapes

**1300 551 942**

sales@integratedpower.net.au



**Integrated**  
POWER

## Standard Specifications

- Rated Input Power: 150W / 240Vac
- Lumen Output: 15,000lm (clear leans)
- Lumen Output: 10,500lm (honeycomb lens\*)
- Colour Temp: 2200K - 4000K
- CRI Rating: CRI>80
- Operating Temperature: -30/+50 deg C
- EPA (Sail Area): 0.12m<sup>2</sup>
- Service Life: L70 / 77,000hrs
- Ingress Protection: IP66
- IK Rating: IK08
- Fitting weight: 10.0kg ± 0.3kg

## Options List

- DC Input Power /DCV
- Honeycomb Lens\* /HCL

## Models List

Silver / TW / 3.8 Degree Optic	PS150SITW03	Special Order
Silver / TW / 8 Degree Optic	PS150SITW08	Special Order
Silver / TW / 12 Degree Optic	PS150SITW12	Special Order
Silver / TW / 30 Degree Optic	PS150SITW30	Special Order
Silver / TW / 60 Degree Optic	PS150SITW60	Special Order
Silver / TW / 75 Degree Optic	PS150SITW75	Special Order
Silver / TW / 15x30 Degree Optic	PS150SITW1530	Special Order
Silver / TW / 20x60 Degree Optic	PS150SITW2060	Special Order

## Accessories

Visor / Glare Shield	PS150VISOR
----------------------	------------

## IES Files

IES PS150SITW03 4K 150W 3.8deg  
IES PS150SITW08 4K 150W 8deg  
IES PS150SITW12 4K 150W 12deg  
IES PS150SITW30 4K 150W 30deg  
IES PS150SITW60 4K 150W 60deg  
IES PS150SITW75 4K 150W 75deg  
IES PS150SITW1530 4K 150W 15x30deg  
IES PS150SITW2060 4K 150W 20x60deg

**1300 551 942**

sales@integratedpower.net.au



**Integrated**  
POWER

\* For full warranty terms and conditions visit [www.integratedpower.net.au](http://www.integratedpower.net.au)

Date : 05-01-2023