

Premiere Series

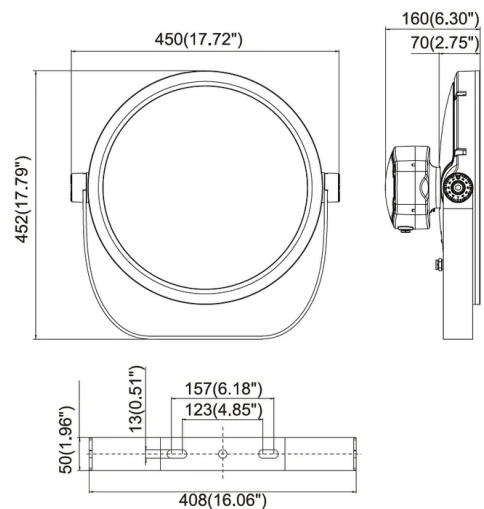
DMX CONTROLLED

RGBW LED FLOODLIGHT - 150W SILVER

DMX
512



The Premiere Series of LED floodlights by Integrated Power brings you into the world of colour controlled smart lighting. Compatible with multiple smart control systems such as Casambi, DMX and more. The wide range of optics make even the most challenging projects possible. Available in RGBW, RGB and Tuneable White.



Features

- Heavy duty construction
- High quality LED chips
- Wide range of optics
- 3-pin DMX in & out control cables
- Clear lens standard
- Honeycomb lens option** (excludes 3.8° and 8° narrow optics)
- U Bracket included
- RGB & Tuneable white models available

Applications

- Facades
- Bridges
- Sports Arenas
- Special Events
- Advertising
- Signage
- Commercial Buildings
- Landscapes

1300 551 942

sales@integratedpower.net.au



Standard Specifications

- Rated Input Power: 150W / 240Vac
- Lumen Output: 15,000lm (clear leans)
- Lumen Output: 10,500lm (honeycomb lens**)
- Colour Temp: RGBW (2200K*)
- CRI Rating: CRI>80
- Operating Temperature: -30/+50 deg C
- EPA (Sail Area): 0.12m²
- Service Life: L70 / 77,000hrs
- Ingress Protection: IP66
- IK Rating: IK08
- Fitting weight: 10.0kg ± 0.3kg

Options List

- DC Input Power /DCV
- White CCT options*/3000K / 4000K /5000K
- Honeycomb Lens** /HCL

Models List

Silver / RGBW / 3.8 Degree Optic	PS150SIRGBW03	Special Order
Silver / RGBW / 8 Degree Optic	PS150SIRGBW08	Special Order
Silver / RGBW / 12 Degree Optic	PS150SIRGBW12	Special Order
Silver / RGBW / 30 Degree Optic	PS150SIRGBW30	Special Order
Silver / RGBW / 60 Degree Optic	PS150SIRGBW60	Special Order
Silver / RGBW / 75 Degree Optic	PS150SIRGBW75	Special Order
Silver / RGBW / 15x30 Degree Optic	PS150SIRGBW1530	Special Order
Silver / RGBW / 20x60 Degree Optic	PS150SIRGBW2060	Special Order

Accessories

Visor / Glare Shield PS150VISOR

IES Files

IES PS150SIRGBW03 150W 3.8deg
IES PS150SIRGBW08 150W 8deg
IES PS150SIRGBW12 150W 12deg
IES PS150SIRGBW30 150W 30deg
IES PS150SIRGBW60 150W 60deg
IES PS150SIRGBW75 150W 75deg
IES PS150SIRGBW1530 150W 15x30deg
IES PS150SIRGBW2060 150W 20x60deg

1300 551 942

sales@integratedpower.net.au



Integrated
POWER

* For full warranty terms and conditions visit www.integratedpower.net.au

Date : 05-01-2023