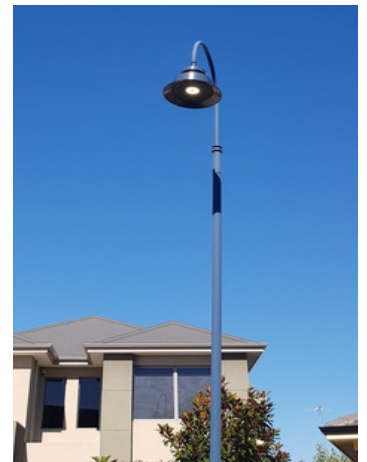
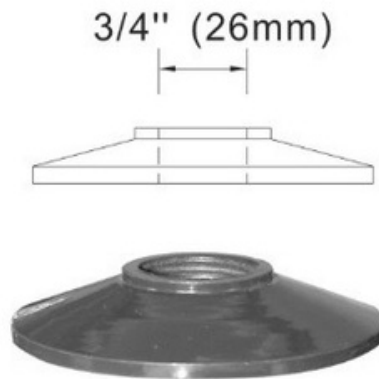
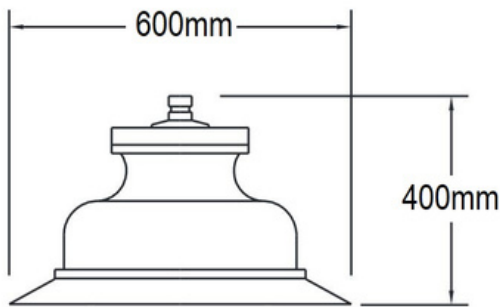


PT Series

LED POLETOP LIGHT - 40W



The PT Series LED post top range package the latest LED chipsets and drivers in an array of both heritage and contemporary designs. With numerous styles and mounting options available, there is a PT series fitting to suit your next outdoor lighting project.



Features

- CREE XPG LEDs
- Philips Xitanium Drivers
- Robust aluminium and polycarbonate construction
- Durable powdercoat finish
- Dimming and smart lighting options

Applications

- Parks
- Walkways
- Education Campus'
- Council Facilities
- Estates



Standard Specifications

- Rated Input Power: 40W
- Lumen Output: 4162lm
- Optic: Symmetrical
- CRI Rating: CRI>75
- IP Rating: IP65
- Fitting weight: 6.0kg ± 0.3kg
- Pipe Mount Diameter: 26mm
- Thread Size: 3/4" (adaptor inc)

Option List

- DALI Dimming /DALI
- 0-10V dimming /DIM

Models List

Black / 3000K	PT40BK3KN01
Black / 4000K	PT40BK4KN01
Blue / 3000K	PT40BLU3KN01
Blue / 4000K	PT40BLU4KN01
White / 3000K	PT40WH3KN01
White / 4000K	PT40WH4KN01
Silver / 3000K	PT40SI3KN01
Silver / 4000K	PT40SI4KN01
Green / 3000K	PT40GR3KN01
Green / 4000K	PT40GR4KN01

Accessories

IES Files

IES PT40BLU4KN01 40W

