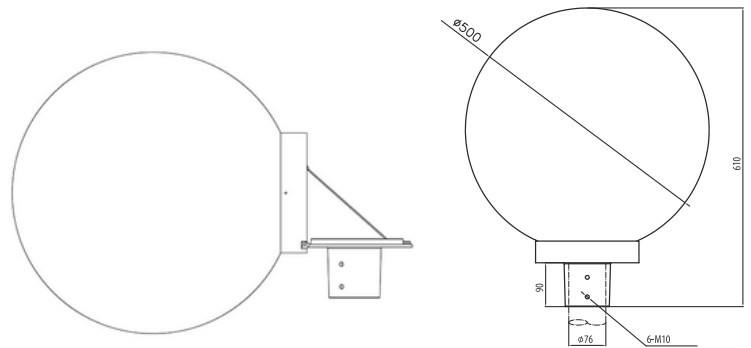


PT6 Series

LED POLETOP LIGHTS
OPAL DIFFUSER - 70W



The PT6 Series is a stylish edition to Integrated Powers' family of heritage and contemporary designed poletop fittings. With its classic look and indirect lighting, the PT6 provides visual comfort and easy viewing. The PT6 allows for the base and gear compartment to be removed for easy access to the driver.



Features

- Classic design
- Robust materials and build quality
- UV resistant powder coat finish
- Corrosion resistant high pressure aluminium casting
- Comfortable visual effect
- 76mm spigot adaptor (60mm optional)
- Clear polycarbonate diffuser
- Standard Colour: RA7022
- [IPX output control](#) compatible

Applications

- Parks
- Walkways
- Education Campus'
- Council Facilities
- Courtyards
- Private Estates
- Caravan Parks



Standard Specifications

- Rated Input Power: 70W
- Lumen Output: 5250lm
- Colour Temperature: 4000K (3000K, 5000K optional)
- CRI Rating: CRI>80
- IP Rating: IP66
- IK Rating: IK10

Options List

- 0-10V Dimming /DIM
- DALI Dimming/ DALI
- IPX Output Control
(additional hardware required)

Models List

Grey/ 3000K/ Opal Diffuser	PT670GR3KD01
Grey/ 4000K/ Opal Diffuser	PT670GR4KD01
Grey/ 5000K/ Opal Diffuser	PT670GR5KD01

Accessories

Spigot Adaptor – 60mm	PT6ADP60
-----------------------	----------

IES Files

IES PT670GR3KD01 70W 3000K
IES PT670GR4KD01 70W 4000K
IES PT670GR5KD01 70W 5000K

