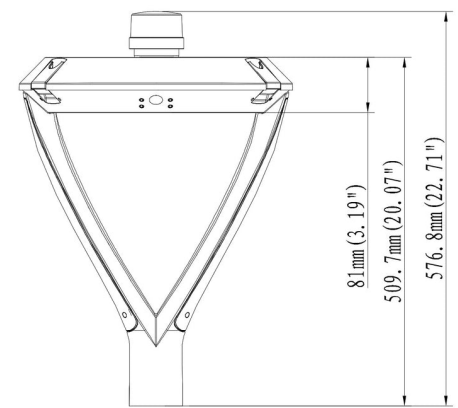
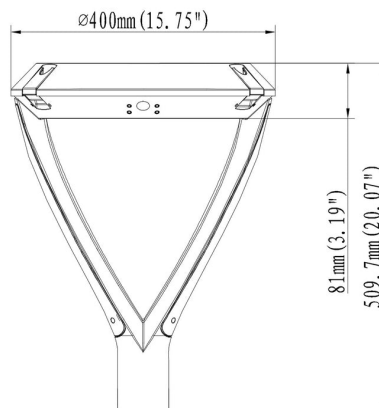


Integrated Power

PT5 SERIES LED POLETOP LIGHTS - 60W TWIN ARM



The PT Series LED poletops package the latest LED chipsets and drivers in an expanding range of heritage and contemporary designs. The PT5 is the latest edition to our PT Series. Offering 6 different mounting options, 4 power output options, colour selectability and a wide range of optics, makes this our most project adaptable pole top model to date.



Features

- Output selectable
- Colour temperature selectable
- Multiple mounting styles available
- High quality LED chips and drivers
- Durable powdercoated finish
- Robust cast aluminium construction
- suits 60mm vertical spigot

Applications

- Parks
- Walkways
- Carparks
- Education Campus'
- Council Facilities

Standard Specifications

- Rated Input Power: 60W / 45W / 30W / 18W
- Lumen Output: 9,000lm - 2,700lm
- Colour Temp: 3000K / 4000K / 5000K
- CRI: CRI>80
- Operating Temperature: -30/+45degC
- Service Life: 50,000hrs @ 25degC
- Ingress Protection: IP66
- IK Rating: IK08
- Dimensions: 400mm x 81mm (head only)
- Fitting Weight: 6.8kg - 9.4kg

Options List

- 0-10V Dimming /0-10V
- 7-pin NEMA Socket /NEMA
- PE Cell /PE
- DALI Dimming /DALI

Models List

Black / Type V Symmetric	PT560BKXKN01B	Special Order
Black / Type I Short Asymmetric	PT560BKXKN02B	Special Order
Black / Type II Short Asymmetric	PT560BKXKN03B	Special Order
Black / Type III Short Asymmetric	PT560BKXKN04B	Special Order
Black / Type II Medium Asymmetric	PT560BKXKN05B	Special Order
Black / Type III Medium Asymmetric	PT560BKXKN06B	Special Order

Accessories

76mm-60mm Pole Adaptor - Black PTADP76-60B

IES Files

IES PT560BK4KN01 60W
IES PT560BK4KN02 60W
IES PT560BK4KN03 60W
IES PT560BK4KN04 60W
IES PT560BK4KN05 60W
IES PT560BK4KN06 60W

1300 551 942

sales@integratedpower.net.au



Integrated
POWER

* For full warranty terms and conditions visit www.integratedpower.net.au

Date : 21-08-2023