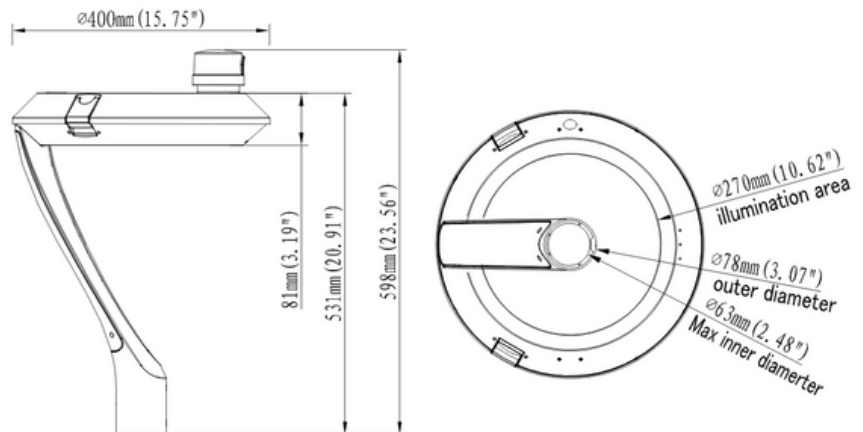


PT5 Series

CASAMBI LED POLETOP LIGHTS 60W - SINGLE ARM



The PT5 Series LED poletops package the latest LED chipsets and drivers in an expanding range of heritage and contemporary designs. The PT5 is the latest edition to our PT Series. With the Casambi wireless unit allows users to customize their settings for the desired outcome via smart dimming, grouping and time scheduling and more. Offering 6 different mounting options, 4 power output options, colour selectability and a wide range of optics, makes this our most project adaptable pole top model to date.



Features

- Smart dimming (via Casambi app)
- Colour temperature selectable
- Large range of asymmetric and symmetric optics
- Multiple mounting styles available
- High quality LED chips and drivers
- Durable powder coated finish
- Robust cast aluminium construction
- 7 Pin NEMA socket
- Suits 60mm vertical spigot
- Casambi enabled

Applications

- Parks
- Walkways
- Carparks
- Education Campus'
- Council Facilities



Standard Specifications

- Rated Input Power: 60W
- Lumen Output: 9000lm (@60W)
- Colour Temperature: 3000K/ 4000K/ 5000K
- CRI Rating: CRI>80
- SDCM Rating: < 5
- Operating Temperature: -30/+45°C
- Service Life: 50,000hrs@25°C
- IP Rating: IP66
- IK Rating: IK08
- Fitting Weight: 6.8kg - 9.4kg
- Dimensions: Ø400mm x 81mm (head only)
- Control: Casambi

Option List

Models List

Black / Type V Symmetric	PT5C60BKXKN01A
Black / Type I Short Asymmetric	PT5C60BKXKN02A
Black / Type II Short Asymmetric	PT5C60BKXKN03A
Black / Type III Short Asymmetric	PT5C60BKXKN04A
Black / Type II Medium Asymmetric	PT5C60BKXKN05A
Black / Type III Medium Asymmetric	PT5C60BKXKN06A

Accessories

76mm - 60mm Pole Adaptor - Black	PTADP76-60B
90mm - 60mm Pole Adaptor - Black	PTADP90-60B

IES Files

IES PT560BK4KN01 60W
IES PT560BK4KN02 60W
IES PT560BK4KN03 60W
IES PT560BK4KN04 60W
IES PT560BK4KN05 60W
IES PT560BK4KN06 60W

