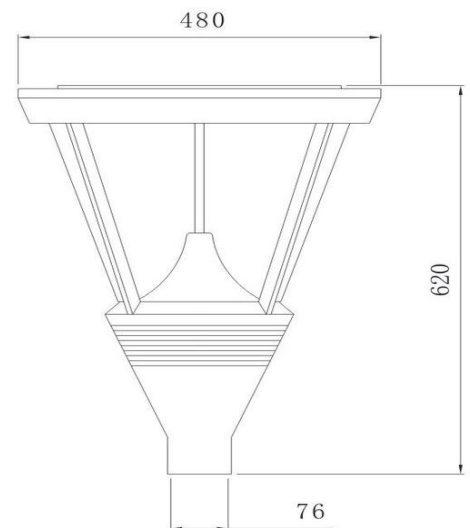


Integrated Power

PT1 SERIES LED POLETOP LIGHTS - 40W



The PT Series LED post top range package the latest LED chipsets and drivers in an array of both heritage and contemporary designs. With numerous styles and mounting options available, there is a PT series fitting to suit your next outdoor lighting project.



Features

- CREE XPG LEDS
- Philips Xitanium Drivers
- Robust aluminium and polycarbonate construction
- Dimming and smart lighting control options
- Durable powder coat finish
- suits 76mm OD pole spigot

Applications

- Parks
- Walkways
- Education Campus'
- Council Facilities
- Estates

Standard Specifications

- Rated Input Power: 40W
- Lumen Output: 4,162lm (4000K)
- Colour Temp: 3000K, 4000K or 5000K
- CRI Rating: CRI>75
- IP Rating: IP65
- Operating Temperature: -30/+45°C
- Fitting Weight: 6.5kg

Options List

- DALI Dimming /DALI
- 0-10V dimming /DIM

Models List

Black / 3000K	PT140BK3KN01	Stock Item
Black / 4000K	PT140BK4KN01	Stock Item
White / 3000K	PT140WH3KN01	Special Order
White / 4000K	PT140WH4KN01	Special Order
Silver / 3000K	PT140SI3KN01	Special Order
Silver / 4000K	PT140SI4KN01	Special Order
Green / 3000K	PT140GR3KN01	Special Order
Green / 4000K	PT140GR4KN01	Special Order

Accessories

IES Files

IES PT140BK3KN01 40W 3000K
IES PT140BK4KN01 40W 4000K
IES PT140BK5KN01 40W 5000K

1300 551 942

sales@integratedpower.net.au



 **Integrated**
POWER

* For full warranty terms and conditions visit www.integratedpower.net.au

Date : 31-7-2020