

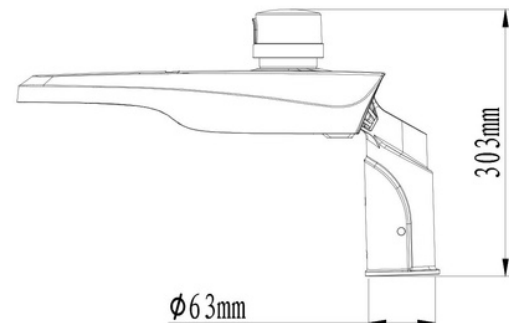
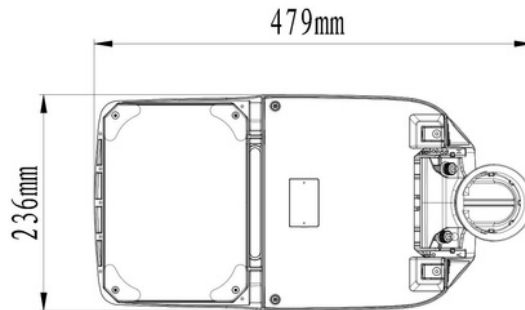
# PathPro Series

## CASAMBI LED STREETLIGHT

### 30W - SILVER



Integrated Power's PathPro Smart Streetlight offers the highest construction and optical specifications in a modern and ultra reliable fitting. With Casambi wireless control, users can easily install and access a smart, customized lighting system with simple commissioning through the Casambi app. The smooth housing limits the build up of dirt and debris. Their extensive range of optics allow for optimal glare and spill lighting control.



#### Features

- High efficacy 160lm/W LED chips
- All aluminium & stainless steel fitting construction
- Professional optics for glare & spill control
- 7-pin NEMA socket
- Reversible arm for horizontal and vertical spigots
- Auto isolation safety system
- Casambi enabled

#### Applications

- Parks
- Walkways
- Carparks
- Caryards
- Parks
- Roadways

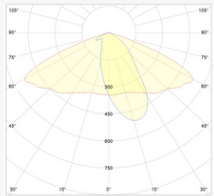


# Standard Specifications

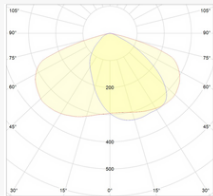
- Rated Input Power: 30W (1-10V output adjustable)
- Lumen Output: 4,800lm (30W)
- Colour Temperature: 4000K (5000K / 3000K optional)
- CRI Rating: CRI>80
- SDCM Rating: < 3
- Operating Temperature: -30/+50°C
- EPA (Sail Area): 0.12m<sup>2</sup>
- Service Life: L90B10 / >50,000hrs@25°C
- Ingress Protection: IP66
- IK Rating: IK09
- Adaptor Size: 60mm (suits 60mm OD spigot)
- Fitting weight: 3.5kg ± 0.3kg
- Casambi range: Up to 200m in long range mode

# Models List

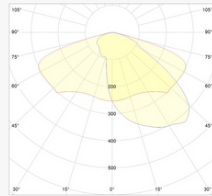
Silver / Optic ASYM-01	SL4C30SI4KD01	Silver / Optic ASYM-07	SL4C30SI4KD07
Silver / Optic ASYM-02	SL4C30SI4KD02	Silver / Optic ASYM-08	SL4C30SI4KD08
Silver / Optic ASYM-03	SL4C30SI4KD03	Silver / Optic ASYM-09	SL4C30SI4KD09
Silver / Optic ASYM-04	SL4C30SI4KD04	Silver / Optic ASYM-10	SL4C30SI4KD10
Silver / Optic ASYM-05	SL4C30SI4KD05	Silver / Optic ASYM-11	SL4C30SI4KD11
Silver / Optic ASYM-06	SL4C30SI4KD06		



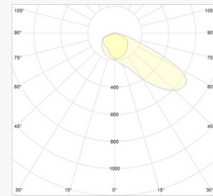
ASYM-01



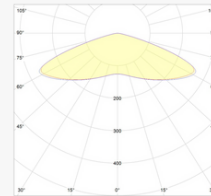
ASYM-02



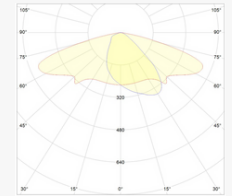
ASYM-03



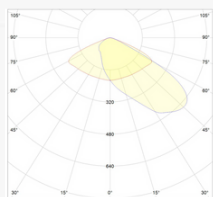
ASYM-04



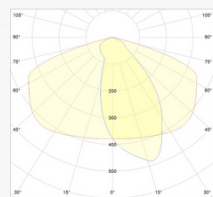
ASYM-05



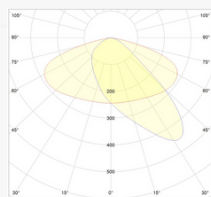
ASYM-06



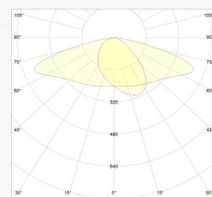
ASYM-07



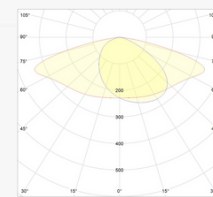
ASYM-08



ASYM-09



ASYM-10



ASYM-11

# Accessories

Spigot Arm Adaptor - 34mm	SL2ADP34
Spigot Arm Adaptor - 42mm	SL2ADP42
Spigot Arm Adaptor - 76mm	SL2ADP76
Wall Mount Bracket	SL2WADP01
Right Angle Pole Adaptor - 90mm	SL2RADP90
Dual Spigot Adaptor - 60mm	SL2ADP60D
Dual Spigot Adaptor - 76mm	SL2ADP76D
100mm Square Pole ADP - Single	SL2ADP100SQS
100mm Square Pole ADP - Double	SL2ADP100SQD

# IES Files

IES SL430SI4KD01 ASYM-01 30W
IES SL430SI4KD02 ASYM-02 30W
IES SL430SI4KD03 ASYM-03 30W
IES SL430SI4KD04 ASYM-04 30W
IES SL430SI4KD05 ASYM-05 30W
IES SL430SI4KD06 ASYM-06 30W
IES SL430SI4KD07 ASYM-07 30W
IES SL430SI4KD08 ASYM-08 30W
IES SL430SI4KD09 ASYM-09 30W
IES SL430SI4KD10 ASYM-10 30W
IES SL430SI4KD11 ASYM-11 30W

