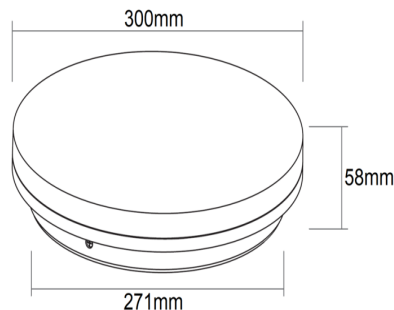


# Integrated Power

## OYS SERIES LED RC OYSTER - 25W



The OYS Series oyster lights deliver a modern look and offer multiple features via the remote control accessory. A simple, efficient & surface mountable oyster out of the box, the OYS fitting can be programmed with motion controls as well as 10 selectable brightness levels. These fittings are a perfect choice for offices, passageways, stairwells or common areas. Ideal for both retrofits and new installations.



### Features

- Stylish, modern design with polycarbonate diffuser
- High quality SMD LED technology
- Tri-colour switch
- Remote Control (optional accessory)
- Built-in Motion Sensor (R/C required to program)
- Dimmable via remote control

### Application

- Offices
- Restaurants
- Aged Care Facilities
- Stairwells
- Kitchens

## Standard Specifications

- Rated input power - 25W
- Rated input power - 25W
- 120 degree beam
- IP20
- CRI>80
- 2500lm (4000K)
- Colour Temp - 3000K/4000K/5700K

## Options List

## Models List

White / Tri-colour	OYS25WHXKD01	Stock Item
--------------------	--------------	------------

## Accessories

Remote Control	OYS1RC01
----------------	----------

## IES Files

IES OYS25WHXKD01 120deg 25W

**1300 551 942**

sales@integratedpower.net.au



 **Integrated**  
POWER

\* For full warranty terms and conditions visit [www.integratedpower.net.au](http://www.integratedpower.net.au)

Date : 12-9-2019