



LT Series - Linear LED Lighting System

1300 551 942 integratedpower.net.au



System Overview

FROFILE

INSTALLATION

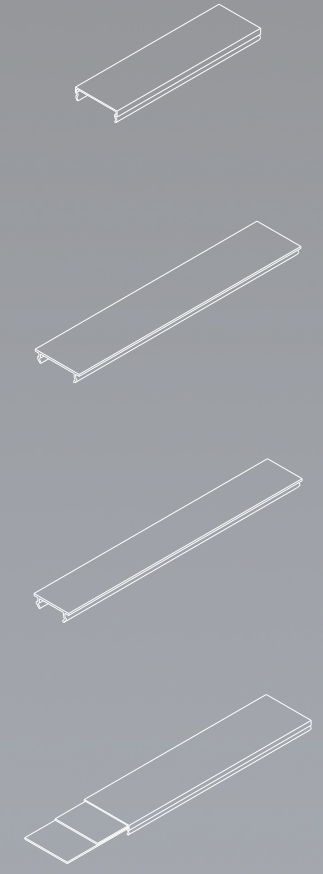
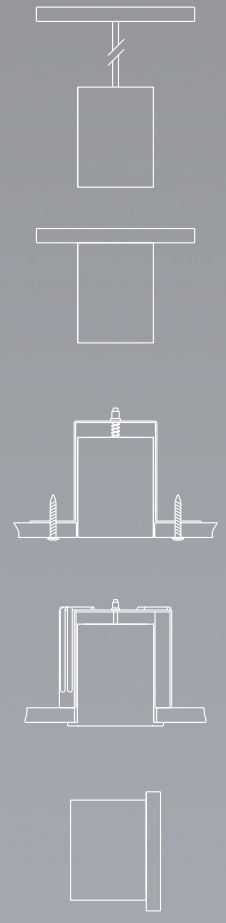
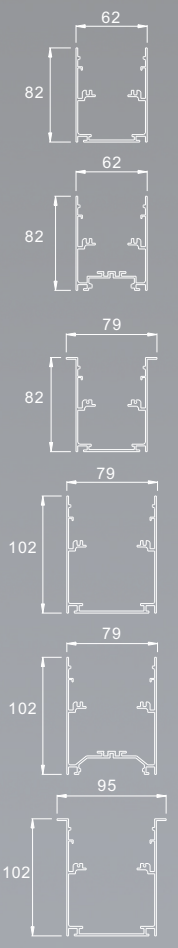
DIFFUSER

LIGHT SOURCE

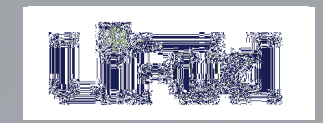
DRIVER

CONNECTION

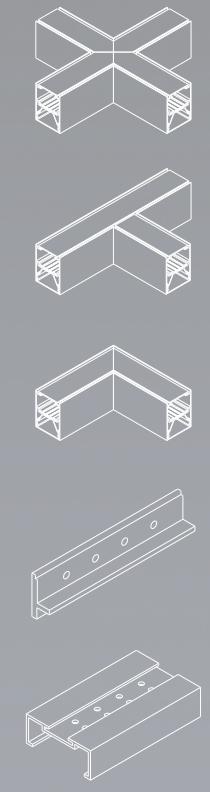
COLOR



.....



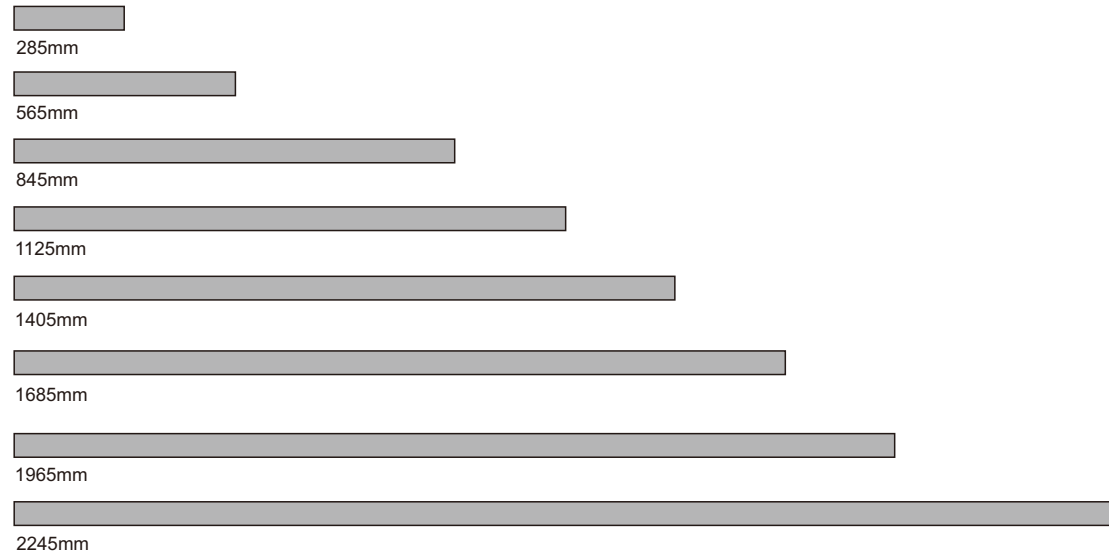
.....



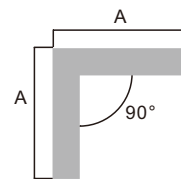
Standard Module Sizes



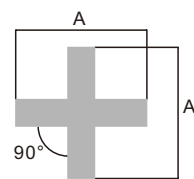
Linear module



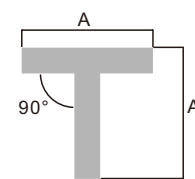
L module



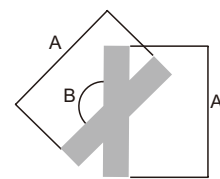
+ module



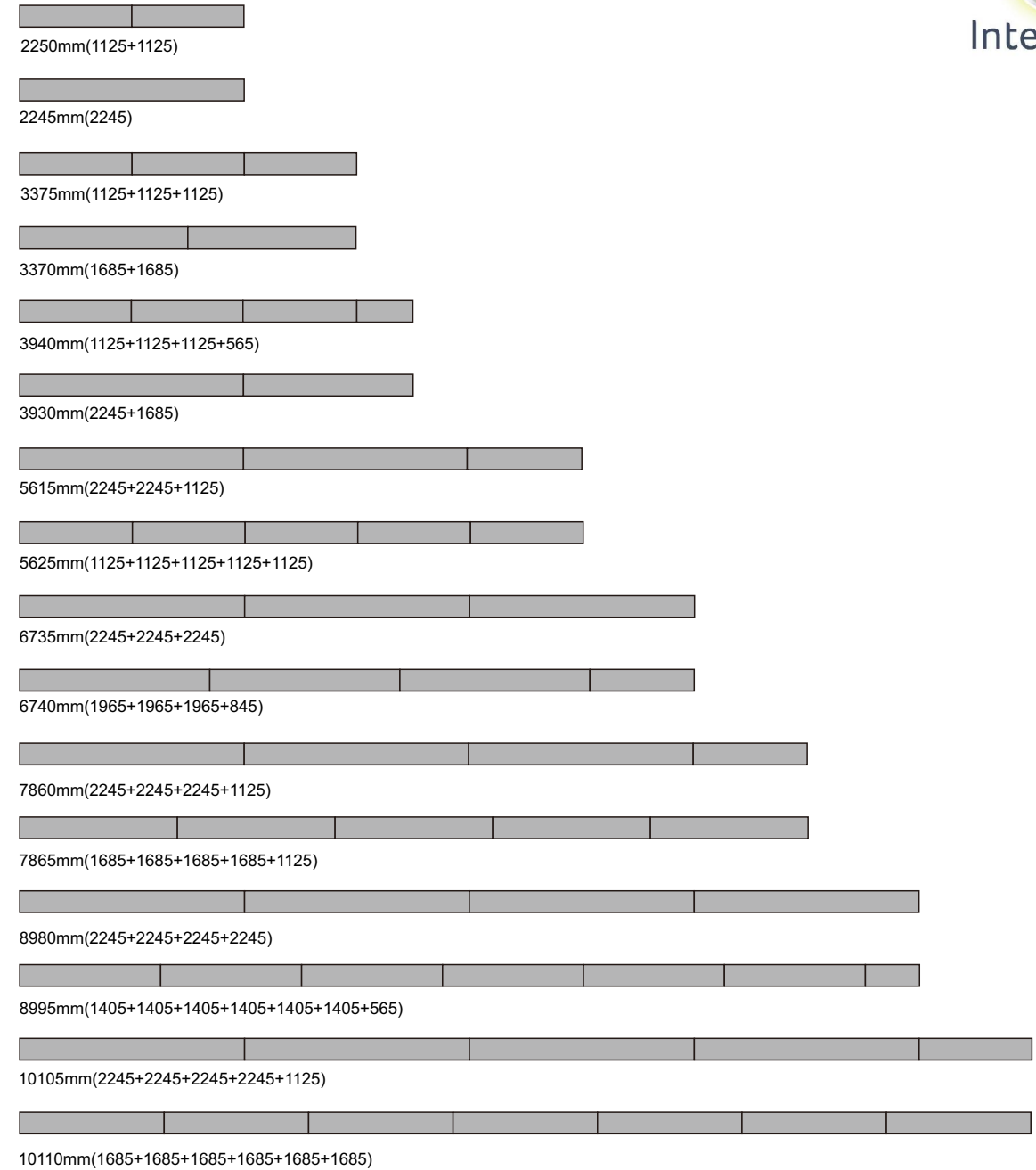
T module



x module



Examples of lengths using linear modules DIY Design Combination





UNSPPOOLING

打印区
The print area

NIKE
BASKET



Diffuser Options



Opal



Baffle



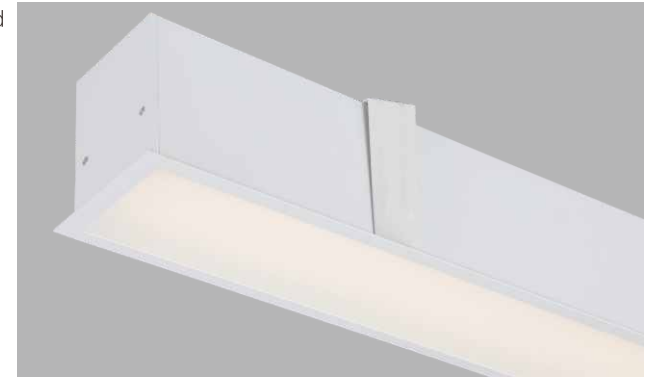
Low glare
prismatic



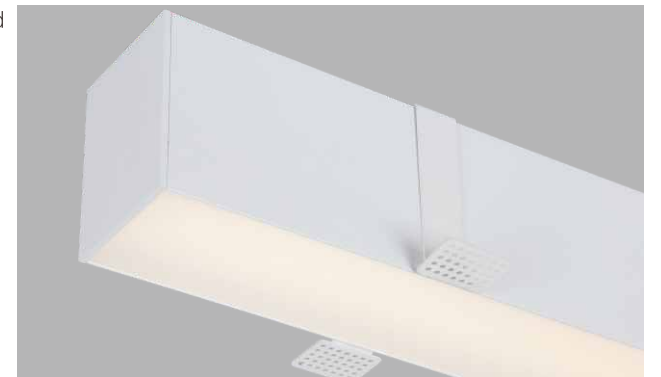
Opal Diffuser



With Edge Recessed

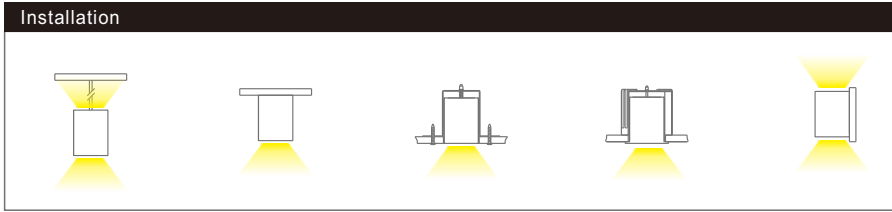
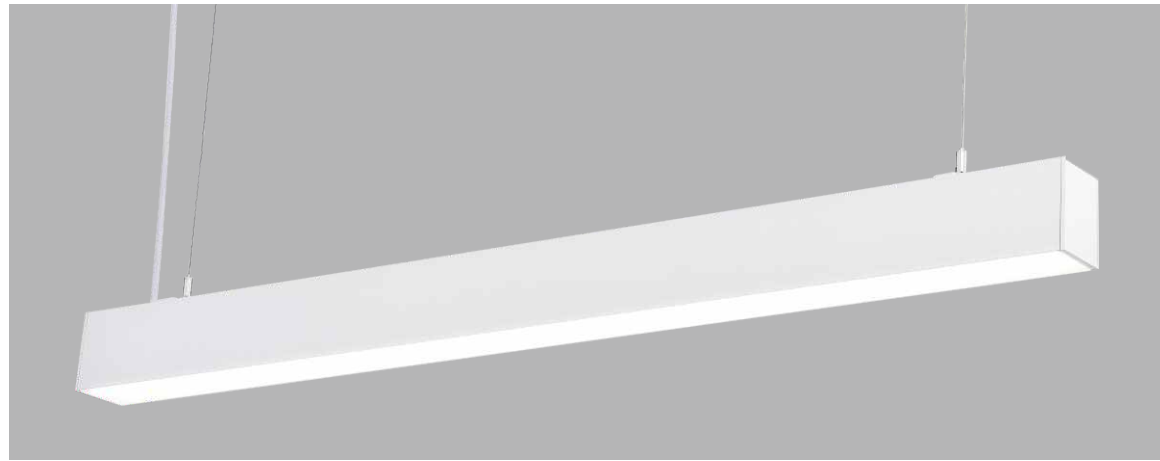
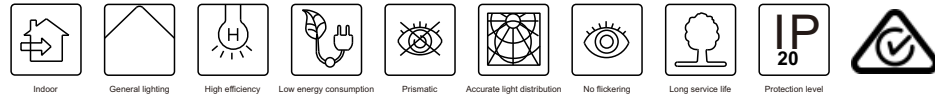


Without Edge Recessed

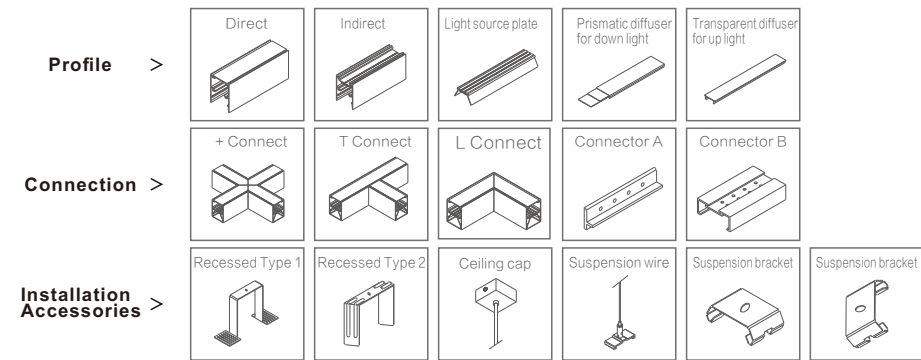


Suspension Installation



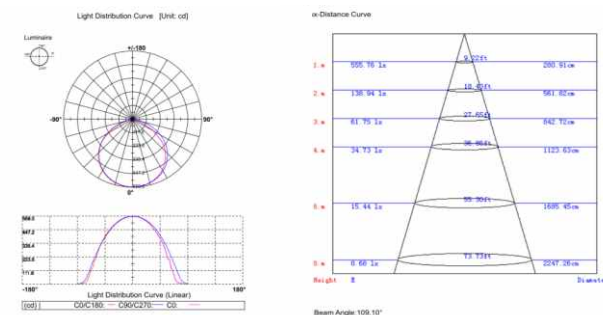
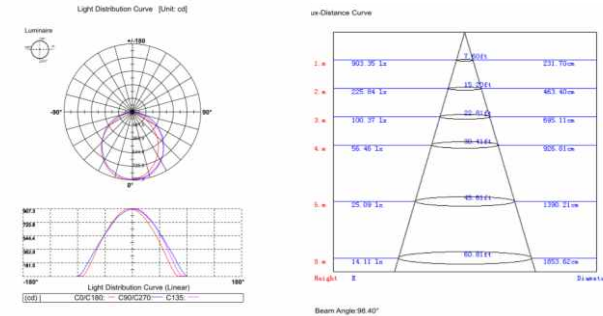


Customizable



Customizable

Light Distribution: direct Indirect
 CCT: 3000K, 4000K, 6000K
 CRI: 82+, 90+
 Lamp Color:



Customizable

		IP-SL-06282-OD		IP-SL-06282-OI
		IP-XL-06282-OD		
		IP-RL-06282-OD		
		IP-RL-07982-OD		
		IP-WL-06282-OD		IP-WL-06282-OI

Technical Data

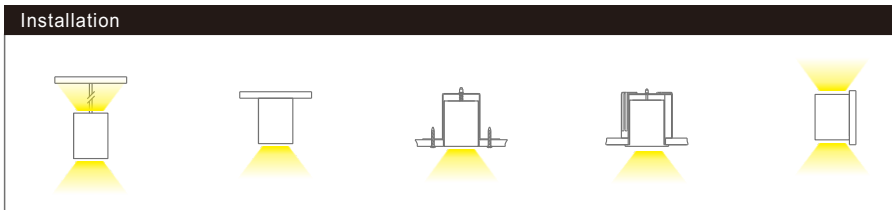
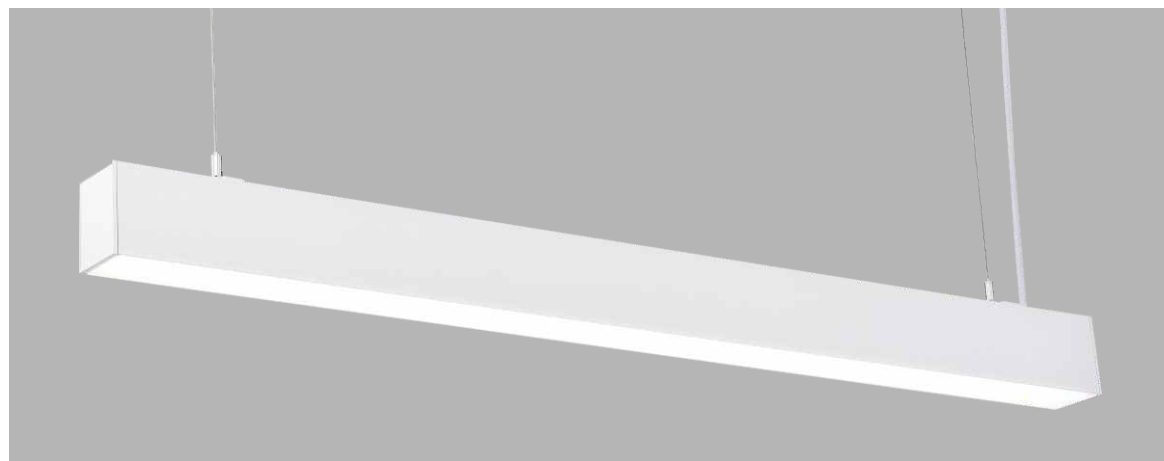
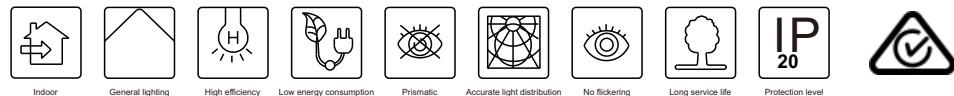
IP-SL-06282-OD Direct

Length(mm)	Power(W)	Efficacy(lm/W)	Luminous Flux(lm)	UGR
575	15	86.5	1298	< 19
855	22	86.5	1903	< 19
1135	30	86.5	2553	< 19
1415	38	86.5	3287	< 19
1695	45	86.5	3465	< 19
1975	52	86.5	4498	< 19
2255	60	86.5	5190	< 19

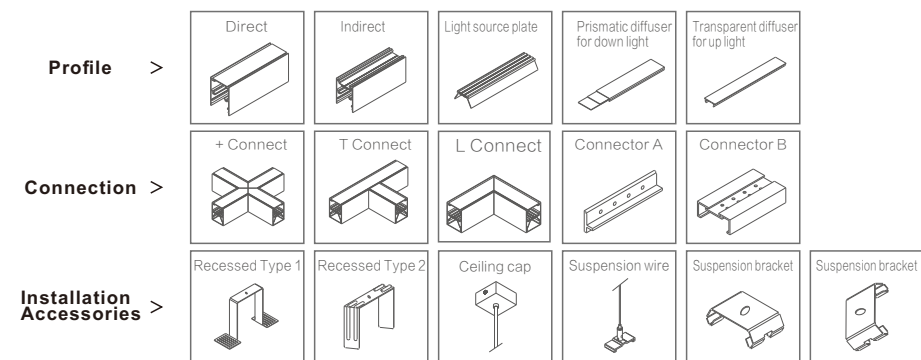
Technical Data

IP-SL-06282-OI Indirect

Length(mm)	Power(W)	Efficacy(lm/W)	Luminous Flux(lm)	UGR
575	7	110.2	771	< 19
855	11	110.2	1212	< 19
1135	15	110.2	1494	< 19
1415	19	110.2	2094	< 19
1695	22	110.2	2424	< 19
1975	26	110.2	2865	< 19
2255	30	110.2	3306	< 19

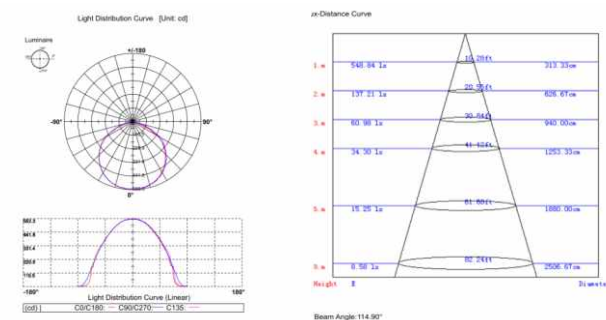
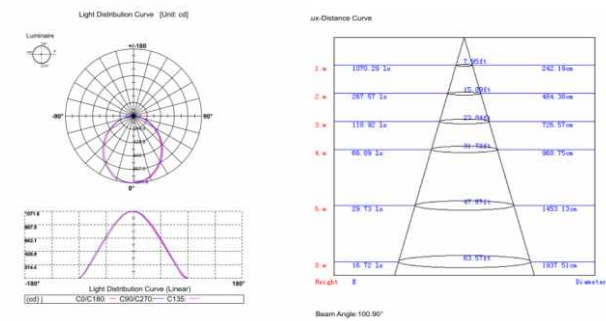


Customizable



Customizable

Light Distribution: direct Indirect
 CCT: 3000K, 4000K, 6000K
 CRI: 82+, 90+
 Lamp Color:



Customizable

		IP-SL-78102-OD		IP-SL-78102-OI
		IP-XL-78102-OD		
		IP-RL-78102-OD		
		IP-RL-95102-OD		
		IP-WL-78102-OD		IP-WL-78102-OI

Technical Data

IP-SL-78102-OD Direct

	Length(mm)	Power(W)	Efficacy(lm/W)	Luminous Flux(lm)	UGR
	575	15	92.3	1385	< 19
	855	22	92.3	2030	< 19
	1135	30	92.3	2733	< 19
	1415	38	92.3	3507	< 19
	1695	45	92.3	4154	< 19
	1975	52	92.3	4800	< 19
	2255	60	92.3	5538	< 19



Technical Data

IP-SL-78102-OI Indirect

	Length(mm)	Power(W)	Efficacy(lm/W)	Luminous Flux(lm)	UGR
	575	7	100.2	701	< 19
	855	11	100.2	1102	< 19
	1135	15	100.2	1483	< 19
	1415	19	100.2	1904	< 19
	1695	22	100.2	2204	< 19
	1975	26	100.2	2605	< 19
	2255	30	100.2	3006	< 19



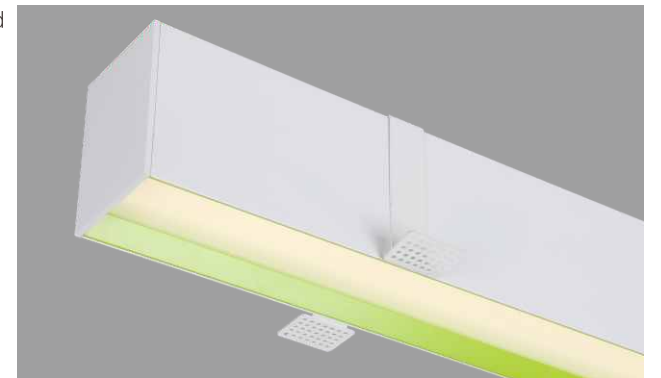
Baffle Diffuser



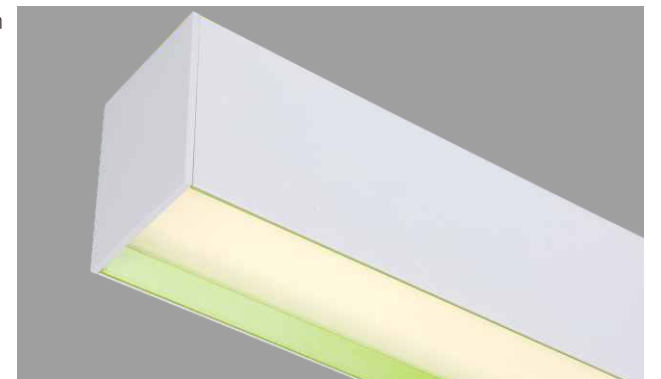
With Edge Recessed

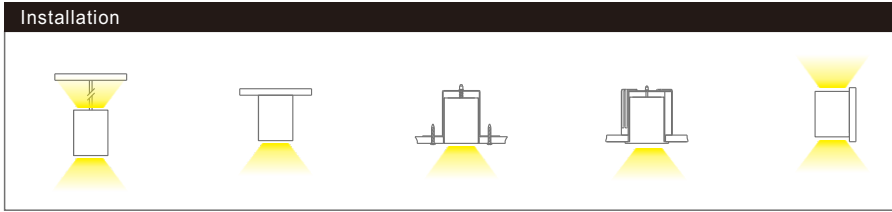
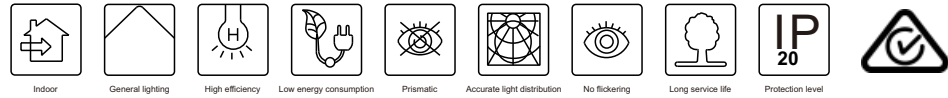


Without Edge Recessed



Suspension Installation





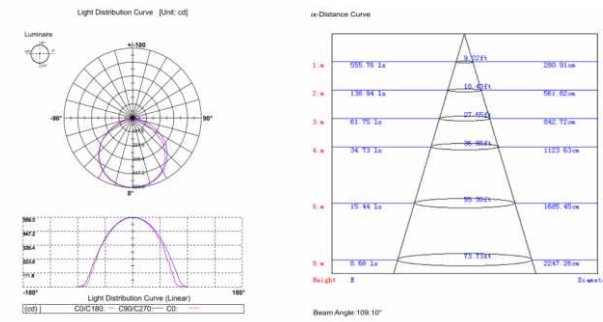
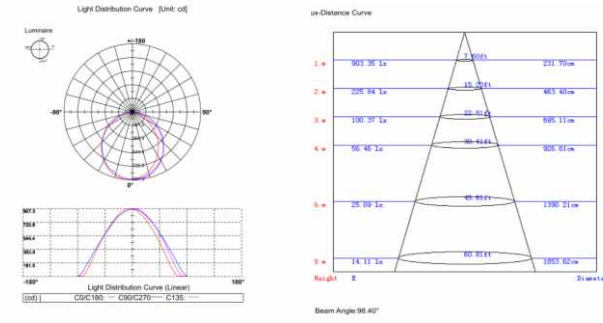
Customizable

Profile	Direct	Indirect	Light source plate	Prismatic diffuser for down light	Transparent diffuser for up light
Connection	+ Connect	T Connect	L Connect	Connector A	Connector B
Installation Accessories	Recessed Type 1	Recessed Type 2	Ceiling cap	Suspension wire	Suspension bracket



Customizable

Light Distribution: direct Indirect
 CCT: 3000K, 4000K, 6000K
 CRI: 82+, 90+
 Lamp Color:



Customizable

		IP-SL-06282-BD		IP-SL-06282-BI
		IP-XL-06282-BD		
		IP-RL-06282-BD		
		IP-RL-07982-BD		
		IP-WL-06282-BD		IP-WL-06282-BI

Technical Data

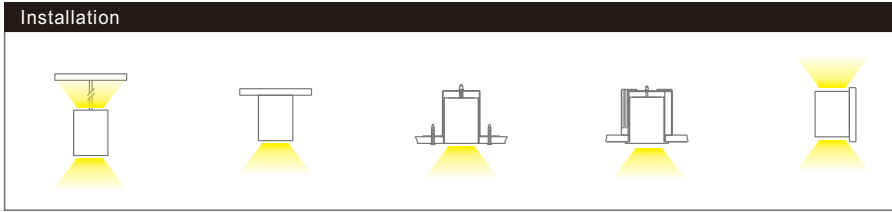
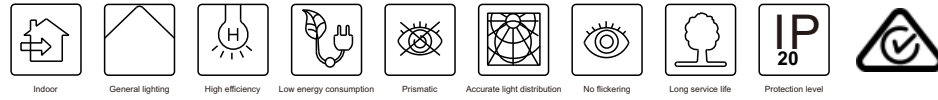
IP-SL-06282-BD Direct

Length(mm)	Power(W)	Efficacy(lm/W)	Luminous Flux(lm)	UGR
575	15	77	1155	< 19
855	22	77	1694	< 19
1135	30	77	2310	< 19
1415	38	77	2785	< 19
1695	45	77	3465	< 19
1975	52	77	4004	< 19
2255	60	77	4620	< 19

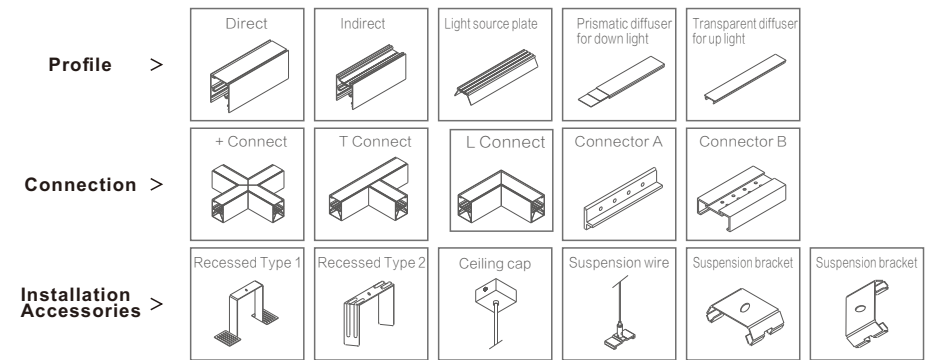
Technical Data

IP-SL-06282-BI Indirect

Length(mm)	Power(W)	Efficacy(lm/W)	Luminous Flux(lm)	UGR
575	7	110.2	771	< 19
855	11	110.2	1212	< 19
1135	15	110.2	1494	< 19
1415	19	110.2	2094	< 19
1695	22	110.2	2424	< 19
1975	26	110.2	2865	< 19
2255	30	110.2	3306	< 19

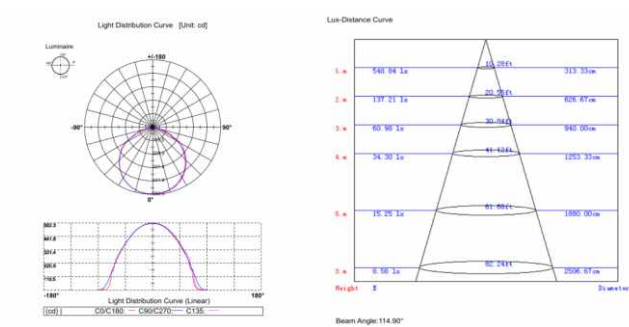
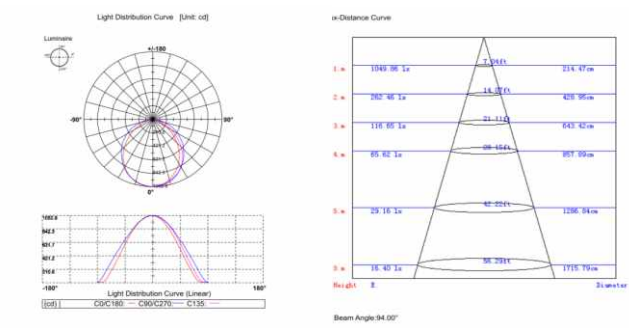


Customizable



Customizable

Light Distribution: direct Indirect
 CCT: 3000K, 4000K, 6000K
 CRI: 82+, 90+
 Lamp Color:



Customizable

		IP-SL-78102-BD		IP-SL-78102-BI
		IP-XL-78102-BD		
		IP-RL-78102-BD		
		IP-RL-95102-BD		
		IP-WL-78102-BD		IP-WL-78102-BI

Technical Data

IP-SL-78102-BD Direct

Length(mm)	Power(W)	Efficacy(lm/W)	Luminous Flux(lm)	UGR
575	15	88.4	1326	< 19
855	22	88.4	1945	< 19
1135	30	88.4	2591	< 19
1415	38	88.4	3359	< 19
1695	45	88.4	3978	< 19
1975	52	88.4	4597	< 19
2255	60	88.4	5304	< 19

Technical Data

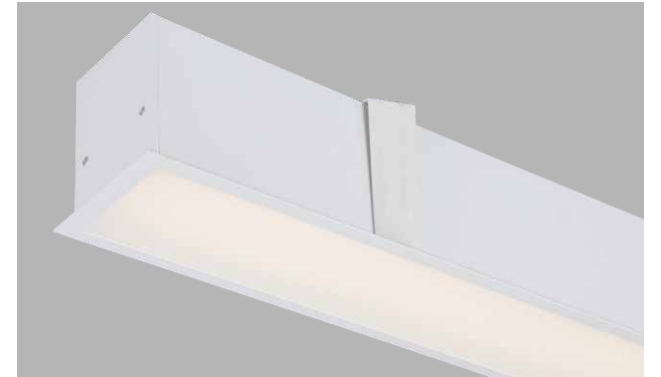
IP-SL-78102-BI Indirect

Length(mm)	Power(W)	Efficacy(lm/W)	Luminous Flux(lm)	UGR
575	7	100.2	701	< 19
855	11	100.2	1102	< 19
1135	15	100.2	1483	< 19
1415	19	100.2	1904	< 19
1695	22	100.2	2204	< 19
1975	26	100.2	2605	< 19
2255	30	100.2	3006	< 19

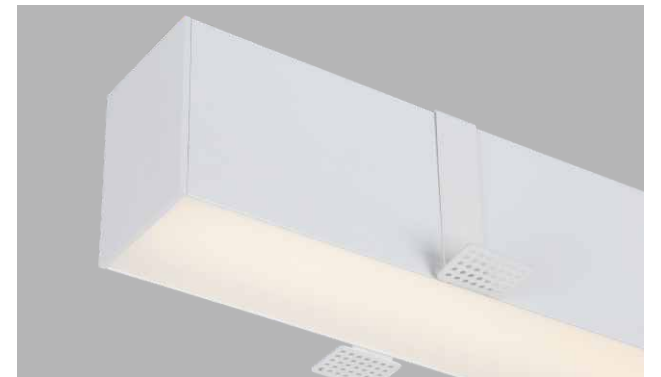
Low Glare Prismatic Diffuser



With Edge Recessed

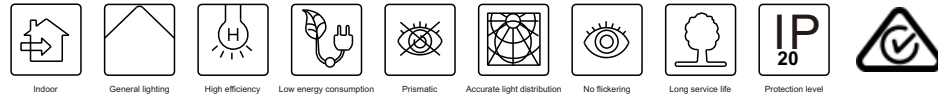


Without Edge Recessed

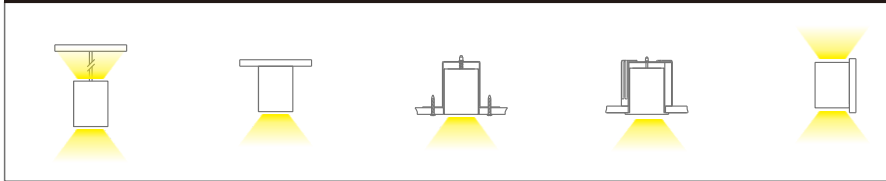


Suspension Installation





Installation



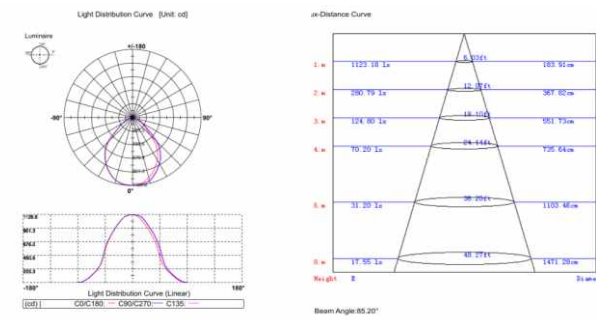
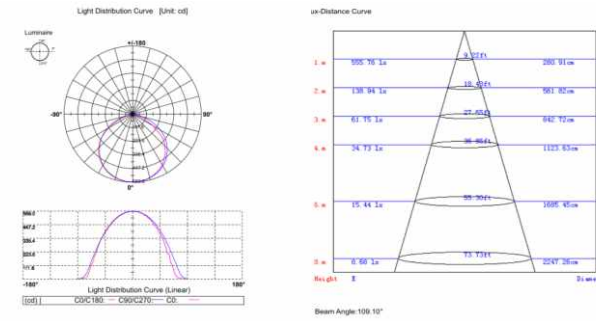
Customizable

Profile	Direct	Indirect	Light source plate	Prismatic diffuser for down light	Transparent diffuser for up light
Connection	+ Connect	T Connect	L Connect	Connector A	Connector B
Installation Accessories	Recessed Type 1	Recessed Type 2	Ceiling cap	Suspension wire	Suspension bracket



Customizable

Light Distribution: direct Indirect
 CCT: 3000K, 4000K, 6000K
 CRI: 82+, 90+
 Lamp Color:



Customizable

	IP-SL-06282-PD	IP-SL-06282-PI
	IP-XL-06282-PD	
	IP-RL-06282-PD	
	IP-RL-07982-PD	
	IP-WL-06282-PD	IP-WL-06282-PI

Technical Data

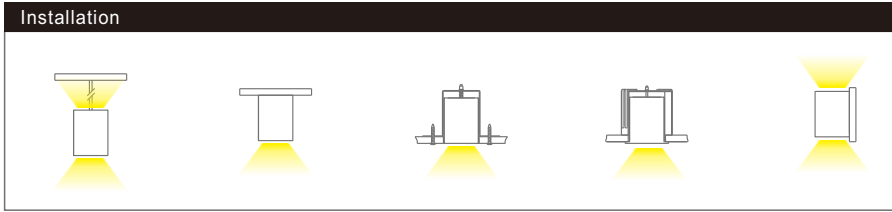
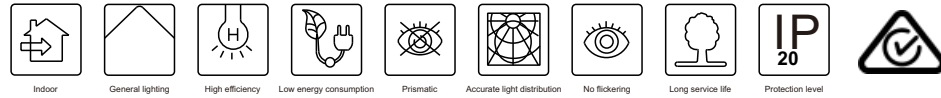
IP-SL-06282-PD Direct

Length(mm)	Power(W)	Efficacy(lm/W)	Luminous Flux(lm)	UGR
575	15	73.3	1100	< 18
855	22	77.3	1612	< 18
1135	30	77.3	2154	< 18
1415	38	77.3	2785	< 18
1695	45	73.3	3299	< 18
1975	52	77.3	3811	< 18
2255	60	73.3	4398	< 18

Technical Data

IP-SL-06282-PI Indirect

Length(mm)	Power(W)	Efficacy(lm/W)	Luminous Flux(lm)	UGR
575	7	110.2	771	< 19
855	11	110.2	1212	< 19
1135	15	110.2	1494	< 19
1415	19	110.2	2094	< 19
1695	22	110.2	2424	< 19
1975	26	110.2	2865	< 19
2255	30	110.2	3306	< 19



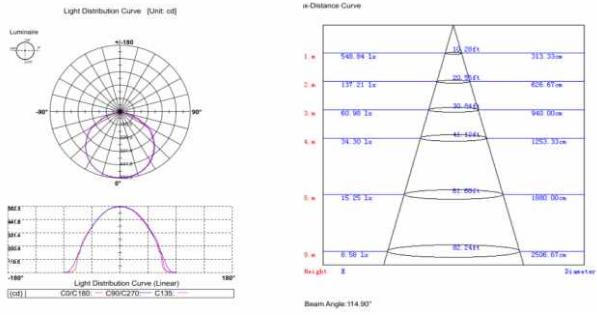
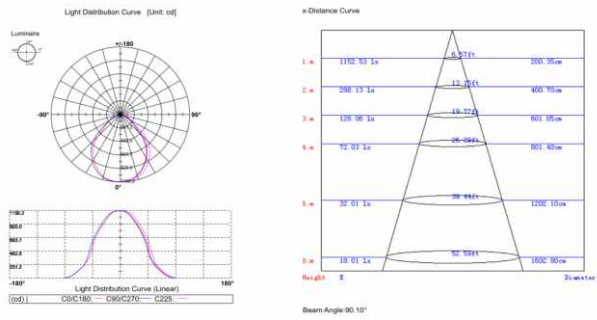
Customizable

Profile	Direct	Indirect	Light source plate	Prismatic diffuser for down light	Transparent diffuser for up light
Connection	+ Connect	T Connect	L Connect	Connector A	Connector B
Installation Accessories	Recessed Type 1	Recessed Type 2	Ceiling cap	Suspension wire	Suspension bracket



Customizable

Light Distribution: direct Indirect
 CCT: 3000K, 4000K, 6000K
 CRI: 82+, 90+
 Lamp Color:



Customizable

		IP-SL-78102-PD		IP-SL-78102-PI
		IP-XL-78102-PD		
		IP-RL-78102-PD		
		IP-RL-95102-PD		
		IP-WL-78102-PD		IP-WL-78102-PI

Technical Data

IP-SL-78102-PD Direct

Length(mm)	Power(W)	Efficacy(lm/W)	Luminous Flux(lm)	UGR
575	15	75.1	1126	< 18
855	22	75.1	1652	< 18
1135	30	75.1	2217	< 18
1415	38	75.1	2854	< 18
1695	45	75.1	3380	< 18
1975	52	75.1	3905	< 18
2255	60	75.1	4506	< 18

Technical Data

IP-SL-78102-PI Indirect

Length(mm)	Power(W)	Efficacy(lm/W)	Luminous Flux(lm)	UGR
575	7	100.2	701	< 19
855	11	100.2	1102	< 19
1135	15	100.2	1483	< 19
1415	19	100.2	1904	< 19
1695	22	100.2	2204	< 19
1975	26	100.2	2605	< 19
2255	30	100.2	3006	< 19