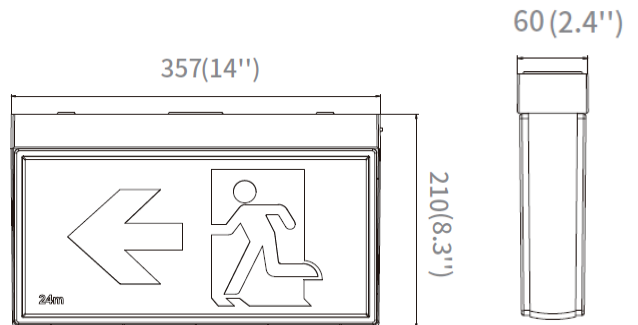


# EL SERIES LED EXIT LIGHT 24M - 3W



The EL Series LED Exit Light is a high quality, reliable & practical exit luminaire for multiple applications. It includes an assortment of pictogram options for single and double sided directional requirements. Easy to fit and designed for wall and ceiling installations.



## Features

- Multiple pictogram options
- IP Rating - IP20
- LiFePO4 Battery
- Test switch
- Ceiling & wall mountable
- 24M viewing distance
- AS/NZS 2293.3 compliant

## Applications

- Offices
- Retail Outlets
- Schools
- Aged Care Facilities
- Hospitality

## Standard Specifications

- Input Voltage: 220-240Vac
- Rated Input Power: 3W (mains)
- Emergency Power: 1W (battery)
- Battery Type: LiFePO4 3.2V 600mAh
- Duration: 2hrs
- CRI>70
- Colour Temperature: 6000K
- 3yr Warranty
- Dimensions: 357mm x 210mm x 60mm

## Options List

## Models List

Standard Model

EL3WH6KN01

Stock Item

## Accessories

## IES Files

**1300 551 942**

[sales@integratedpower.net.au](mailto:sales@integratedpower.net.au)



**Integrated**  
POWER

\* For full warranty terms and conditions visit [www.integratedpower.net.au](http://www.integratedpower.net.au)

Date : 19-06-2023