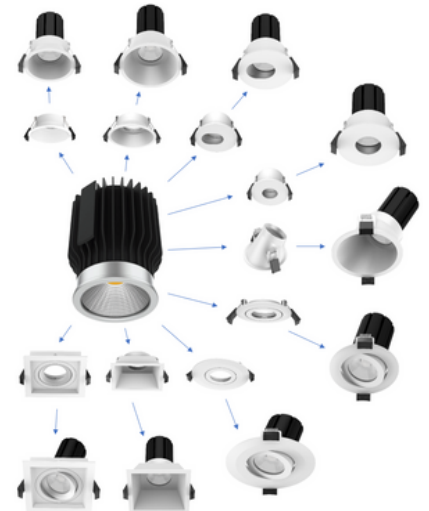
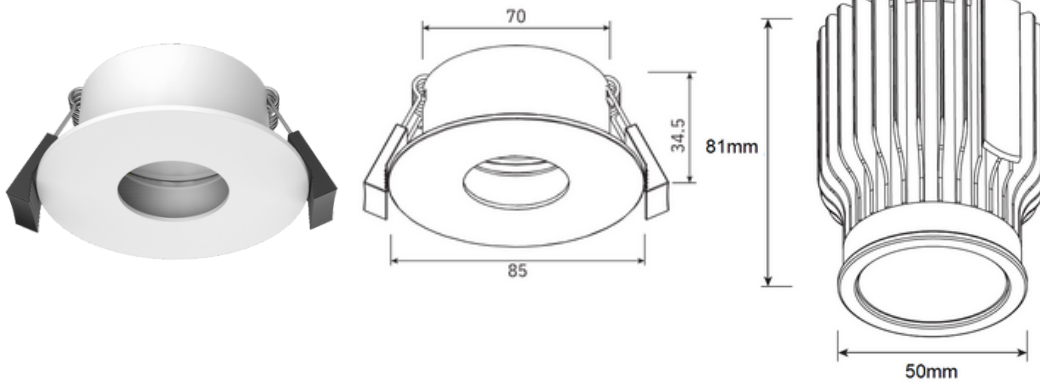


# DLM Series

## MODULAR LED DOWNLIGHT 18W PINHOLE 70-80mm



The DLM modular series are the latest edition to the Integrated Power downlight range. The multiple trim & colour options allow for the DLM series to be adapted to a wide range of indoor applications. Whether it's to wallwash an art piece, create some feature lighting using various trim options, or just to be used as a standard high quality downlight, the DLM series has got your requirements covered. A perfect choice for both retrofits and new installations.



### Features

- Modular design
- Multiple trim styles, colours & cutouts
- Highly adaptable for upgrades or new installs
- Aluminum heatsink provides excellent heat dissipation
- High Output Citizen COB LED chips
- Quality mains dimmable driver
- Low glare design

### Applications

- Offices
- Galleries
- Retail Displays
- Hotels
- Foyers



## Standard Specifications

- Rated Input Power: 18W
- Lumen Output: 1930 - 2130lm
- Beam Angle: Pinhole
- Colour Temperature: 4000K (3000K/5000K optional)
- CRI Rating: CRI>80
- IP Rating: IP20
- SDCM Rating: <6
- Trim Cutout: Pinhole 70-80mm
- Trim Dimension: Ø85\*34.5mm
- Trim Colours: White

## Option List

- DALI Dimming /DALI
- Adaptor Colour - Black /BK
- Adaptor Colour - Silver /SI

## Models List

18W Round Pinhole 70-80mm / 60° / 3000K  
18W Round Pinhole 70-80mm / 60° / 4000K  
18W Round Pinhole 70-80mm / 60° / 5000K

DLM18SI3KD01 + DLMADP04  
DLM18SI4KD01 + DLMADP04  
DLM18SI5KD01 + DLMADP04

## Accessories

Adaptor - Round C/O 75-80mm	DLMADP01
Adaptor - Round C/O 90-95mm	DLMADP02
Adaptor - Rnd/Pinhole C/O 70-80mm	DLMADP04
Adaptor - Rnd/wallwash C/O 90-95mm	DLMADP05
Adaptor - Rnd/Gimbal C/O 70-80mm	DLMADP06
Adaptor - Rnd/Gimbal C/O 90-95mm	DLMADP07
Adaptor - Square C/O 90-95mm	DLMADP08
Adaptor - Square/Gimbal C/O 95-100mm	DLMADP09

## IES Files

IES DLM18SI3KD01 18W 60° 3000K  
IES DLM18SI4KD01 18W 60° 4000K  
IES DLM18SI5KD01 18W 60° 5000K

