

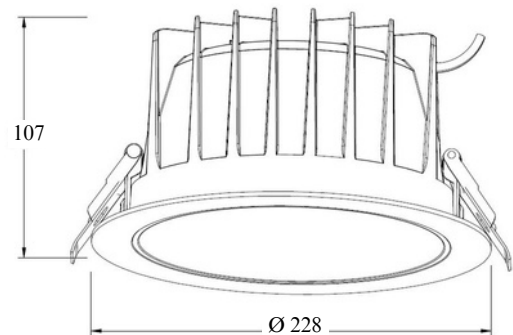
DLA Series 2

LOW GLARE LED DOWNLIGHTS

DIAMOND REFLECTOR - 35W



Integrated Power's DLA Series 2 LED downlights offer a high spec, low glare option in a compact, stylish fitting. Additionally, they are now "Casambi Ready" offering a plug and play solution to upgrade to Casambi wireless smart controls. With great colour rendition (CRI90+) they are the perfect choice for commercial smart lighting applications with low glare requirements.



Features

- High colour rendition index
- Colour temperature selectable
- High lumen efficiency
- Low glare design (UGR <19 Capable)
- Power selectable
- Flicker free driver
- Mains dimmable
- Diamond reflector
- Casambi ready (Casambi driver required)

Applications

- Offices
- Shopping Centres
- Libraries
- Foyers
- Function Centres
- Passageways



Standard Specifications

- Rated Input Power: 18W - 35W (selectable)
- Lumen Output: 3300lm - 3900lm
- Colour Temperature: 3000K/4000K/5700K
- CRI Rating: CRI>90
- SDCM Rating: <6
- Beam Angle: 60°
- IP Rating: IP54
- IK Rating: IK06
- Cutout: 200 - 210mm
- Dimensions: 228 x 107mm

Option List

- Casambi /CAS
- DALI Dimming /DALI
- Chrome Reflector/ CR

Models List

White / 3CCT	DLA235WHXKD02C
Black / 3CCT	DLA235BKXKD02C

Accessories

35W Casambi Driver	CAS35DR01
--------------------	-----------

IES Files

IES DLA235WHXKD01C 4000K 35W

