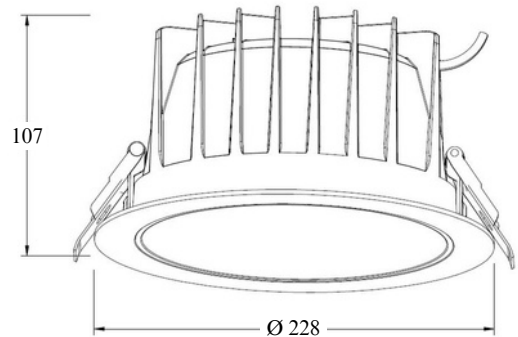


DLAC Series

CASAMBI LOW GLARE LED DOWNLIGHTS DIAMOND REFLECTOR - 35W



INTEGRATED POWER'S DLAC Series LED downlights offer a high spec, low glare option in a compact, stylish fitting. The addition of Casambi wireless smart controls opens a full range of smart lighting functions. They are the perfect choice for commercial smart lighting applications with low glare and low energy requirements.



Features

- Casambi wireless smart control
- Low glare design
- UGR <19 capable
- High lumen efficiency
- Tuneable white colour temperature
- Dimond reflector

Applications

- Offices
- Shopping Centres
- Libraries
- Foyers
- Function Centres
- Passageways



Standard Specifications

- Rated Input Power: 35W
- Lumen Output: 3300lm - 3900lm
- Colour Temperature: 3000K - 5700K
- CRI Rating: CRI>90
- SDCM Rating: <6
- Beam Angle: 60°
- IP Rating: IP54
- IK Rating: IK06
- Smart Control: Casambi
- Cutout: Ø200 - 210mm
- Dimensions: Ø228 x 107mm

Option List

- Chrome Reflector/ CR

Models List

White / Tuneable White	DLA2C35WHXKD02
Black / Tuneable White	DLA2C35BKXKD02

Accessories

IES Files

IES DLA235WHXKD01 4000K 35W

