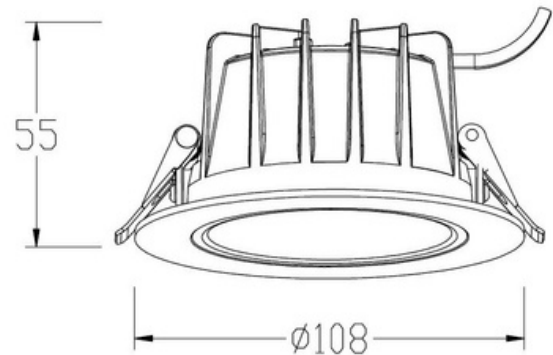


DLAC Series

CASAMBI LOW GLARE LED DOWNLIGHTS DIAMOND REFLECTOR - 10W



INTEGRATED POWER'S DLAC Series LED downlights offer a high spec, low glare option in a compact, stylish fitting. The addition of Casambi wireless smart controls opens a full range of smart lighting functions. They are the perfect choice for commercial smart lighting applications with low glare and low energy requirements.



Features

- Casambi wireless smart control
- Low glare design
- UGR <19 capable
- High lumen efficiency
- Tuneable white colour temperature
- Diamond reflector

Applications

- Offices
- Shopping Centres
- Hotels
- Libraries
- Foyers
- Passageways



Standard Specifications

- Rated Input Power: 10W
- Lumen Output: 600lm - 800lm
- Colour Temperature: 3000K - 5700K
- CRI Rating: CRI>90
- SDCM Rating: <6
- Beam Angle: 60°
- IP Rating: IP54
- IK Rating: IK06
- Smart Control: Casambi
- Cutout: Ø90 - 95mm
- Dimensions: Ø108 x 55mm

Option List

- Chrome Reflector/ CR

Models List

White / Tuneable White	DLA2C10WHXKD02
Black / Tuneable White	DLA2C10BKXKD02

Accessories

IES Files

IES DLA210WHXKD01 4000K 10W

