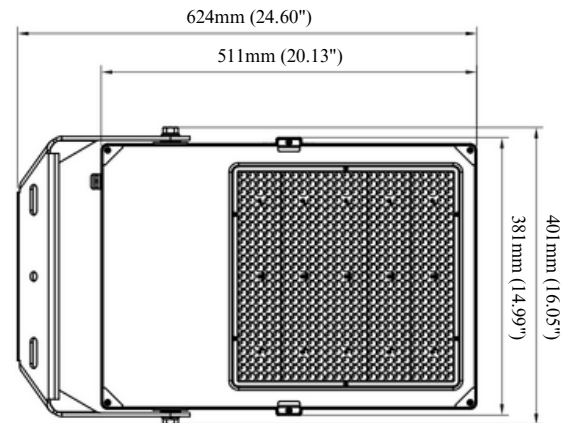
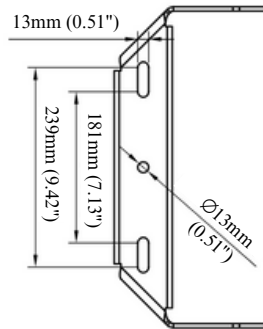
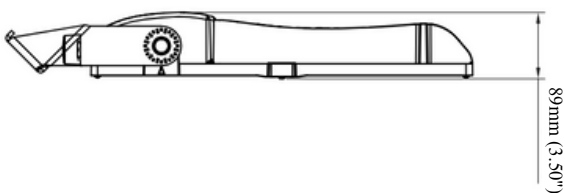


# CF Series

## COMMERCIAL LED FLOODLIGHT - 500W



The CF Series LED floodlights are a compact, powerful and lightweight commercial LED luminaire. They cater to a wide range of floodlighting needs including industrial, sporting and security applications. Highly adaptable to most installations, offering multiple optics choices, output control and a highly adjustable mounting bracket system, to ensure effective lighting results.



### Features

- Heavy Duty Construction
- 150lm/W efficiency
- Asymmetrical & symmetrical optics
- Full range of motion on mounting bracket
- Top or underslung crossarm mountable
- 0-10V dimmable

### Applications

- Sports lighting
- Hard stands
- Security lighting
- Signage



## Standard Specifications

- Rated Input Power: 500W
- Lumen Output: 77,500lm
- CRI Rating: CRI>80
- SDCM Rating: < 3
- Colour Temperature: 4000K (5000K optional)
- Optics: Asymmetric (Symmetric optional)
- Dimmable: 0-10V
- IP Rating: IP66
- IK Rating: IK08
- Service Life: L80>69,000hrs
- Weight: 12.5kg

## Option List

- 0-10V Dimming/ 0-10V
- DALI Dimming / DALI

## Models List

Black / 4000K / Asymmetric	CF2500BL4KD01
Black / 5000K / Asymmetric	CF2500BL5KD01
Black / 4000K / 60° Symmetric	CF2500BL4KD02
Black / 5000K / 60° Symmetric	CF2500BL5KD02
Black / 4000K / 25° Symmetric	CF2500BL4KD03
Black / 5000K / 25° Symmetric	CF2500BL5KD03

## Accessories

## IES Files

IES CF2500BL4KD01 ASYM 500W  
IES CF2500BL5KD01 ASYM 500W  
IES CF2500BL4KD02 SYM 60° 500W  
IES CF2500BL5KD02 SYM 60° 500W  
IES CF2500BL4KD03 SYM 25° 500W  
IES CF2500BL5KD03 SYM 25° 500W

