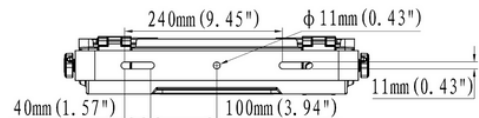
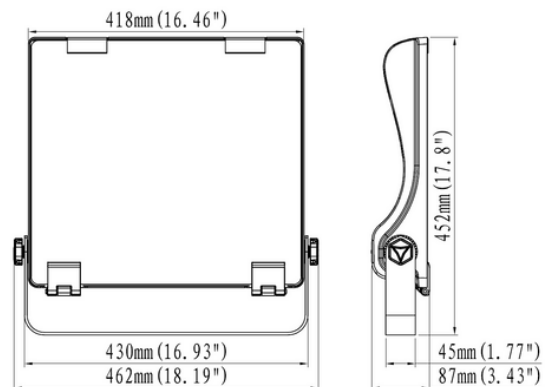


CF Series

COMMERCIAL LED FLOODLIGHT - 240W



The CF series LED floodlight is a powerful yet compact commercial LED fitting. With high spec Philips LED chips and specialised secondary optics to minimise light spillage, the CF Series flood is the ultimate commercial LED floodlight.



Features

- Heavy Duty Construction
- High efficiency Nichia (Japan) LED chips
- Specialised optics to control the light output
- Full range of motion on heavy duty mounting bracket
- 1.5m cable with AU plug

Applications

- Sports lighting
- Hard stands
- Security lighting
- Signage



Standard Specifications

- Rated Input Power: 240W
- Lumen Output: 32,400lm
- Colour Temperature: 3000K / 4000K / 5000K
- Beam Angle: 65 x 120° (Asymmetric)
- CRI Rating: CRI>80
- SDCM Rating: < 3
- Operating Temperature: -30/+50°C
- Service Life: L90 / 52,500hrs
- EPA (Sail Area): 0.227m²
- IP Rating: IP66
- IK Rating: IK08
- Weight: 8.6kg

Option List

- 0-10V Dimming / 0-10V
- DALI Dimming / DALI

Models List

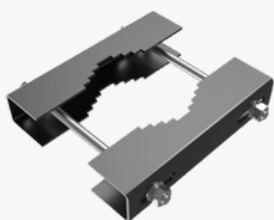
Black / 5000K	CF240BL5KN01
Black / 4000K	CF240BL4KN01
Black / 3000K	CF240BL3KN01

Accessories

Pole Bracket Adaptor - 42mm	CFADP42B
Pole Bracket Adaptor - 60mm	CFADP60B
Pole Bracket Adaptor - 76mm	CFADP76B



Pole Clamp Bracket 40mm-150mm CFCL150B



IES Files

IES CF240BL5KN01 240W

