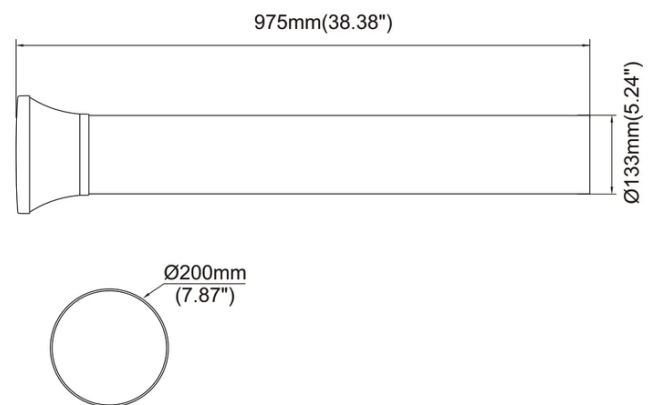


BL SERIES LED BOLLARDS - 25W, 975mm Colour Temperature and Power Selectable



Integrated Power's latest LED bollard is rich in features with a modern urban design. The BL Series LED bollards are built tough with high impact and water ingress ratings. They are highly adaptable to retrofit projects with colour temperature and power selectable options built-in.



Features

- Modern urban design
- Milky diffuser for softer lighting
- Tri-colour switchable
- Power selectable (30%/50%/75% & 100%)
- High specification LED chips & driver
- Durable powder coated finish
- Robust aluminium alloy construction
- 975mm Height
- Includes ragbolt mounting kit

Applications

- Parks
- Walkways
- Gardens
- Sidewalks
- Entrances
- Residential

Standard Specifications

- Rated Input Power: 7.5W - 25W
- Lumen Output: 3250lm Max
- Colour Temp: 3000K, 4000K, 5000K
- CRI Rating: CRI>80
- Operating Temperature -30/+45 degC
- Service Life: 153,000hrs / L70
- IK Rating: IK08
- IP Rating: IP66
- Fitting Weight: 5.3kg

Options List

- 1-10V Dimming /1-10V
- DALI Dimming /DALI

Models List

Black / 3CCT

BL25BKXKN01

Special Order

Accessories

Visor

BLVISORBK01

Backfill Anchor

BL01BA01

IES Files

IES BL25BKXKN01 975mm 4000K 25W

IES BL25BKXKN01 975mm 4000K 19W

IES BL25BKXKN01 975mm 4000K 12.5W

IES BL25BKXKN01 975mm 4000K 7.5W

1300 551 942

sales@integratedpower.net.au



Integrated
POWER

* For full warranty terms and conditions visit www.integratedpower.net.au

Date : 21-9-2021