

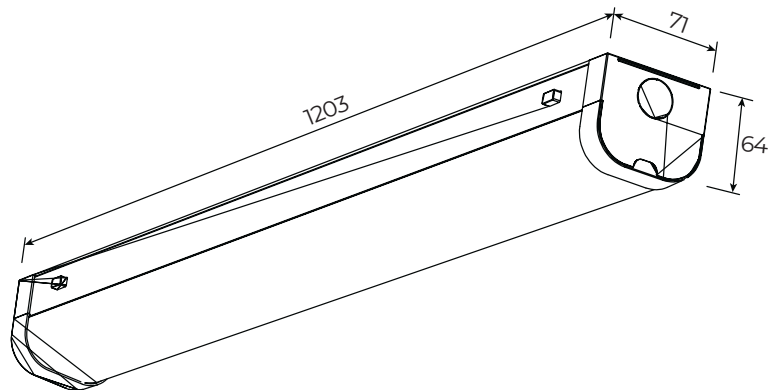
BE Series

SURFACE LED BATTEN

40W - POWER SELECTABLE / 1200mm



Integrated Power's BE Series surface mounted LED battens are an economic and reliable LED option. They are perfect for offices, passageways, stairwells and more. Their wide beam distribution makes them the ideal fluorescent alternative when upgrading existing lighting.



Features

- Wide beam SMD LED technology
- High lumen efficiency
- Surface mountable
- Power selectable
- Large terminal block for easy fit off
- Install friendly design
- Tri colour selectable
- Replaces 2x 36W double fluorescent

Applications

- Offices
- Schools
- Workshops
- Stairwells
- Bathrooms



Standard Specifications

- Rated Input Power: 20W/ 28W/ 34W/ 40W
- Lumen Output @ 20W: 2400 - 2600lm
- Lumen Output @ 28W: 2840 - 3200lm
- Lumen Output @ 34W: 3240 - 3700lm
- Lumen Output @ 40W: 3700 - 4200lm
- Colour Temperature: 3000K/4000K/5700K
- CRI Rating: CRI>80
- SDCM Rating: <6
- Beam Angle: 120°
- Operating Temperature: 0/+45°C
- IK Rating: IK08
- IP Rating: IP20
- Dimensions: 1203*71*64mm
- Fitting Weight: 1.28kg

Option List

Models List

White / 3CCT / Power Selectable

BE40WHXKN02

Accessories

IES Files

IES BE40WHXKN02 40W 4000K

