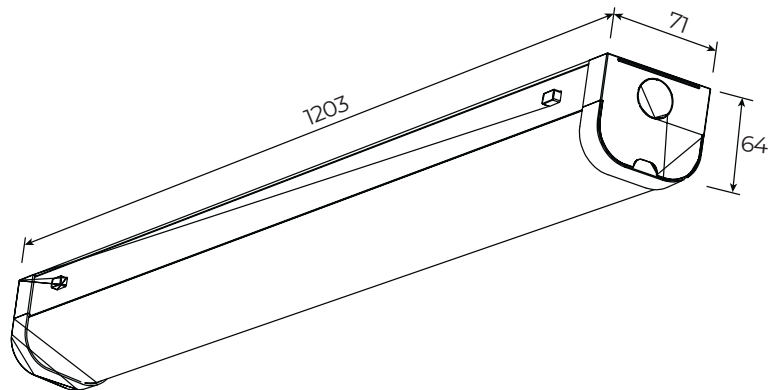


# BE Series

## SURFACE LED BATTEN - 40W/ 1200MM



Integrated Power's BE Series surface mounted LED battens are an economic and reliable LED option. They are perfect for offices, passageways, stairwells and more. Their wide beam distribution makes them the ideal fluorescent alternative when upgrading existing lighting.



### Features

- Wide beam SMD LED technology
- High lumen efficiency
- Surface mountable
- Large terminal block for easy fit off
- Install friendly design
- Tri colour selectable
- Replaces 2x 36W double fluorescent

### Applications

- Offices
- Schools
- Workshops
- Stairwells
- Bathrooms



## Standard Specifications

- Rated Input Power: 40W
- Lumen Output: 4000lm - 4600lm
- Colour Temp: 3000K/4000K/5700K
- CRI Rating: CRI>80
- SDCM Rating: <6
- Beam Angle: 120°
- Operating Temperature: 0/+45°C
- IK Rating: IK08
- IP Rating: IP20
- Dimensions: 1203\*71\*64mm
- Fitting Weight: 1.28kg

## Option List

## Models List

White/ 3CCT Selectable

BE40WHXKN01

## Accessories

## IES Files

IES BE40WHXKN01 40W 4000K

