



FVN7716

MOSELLE

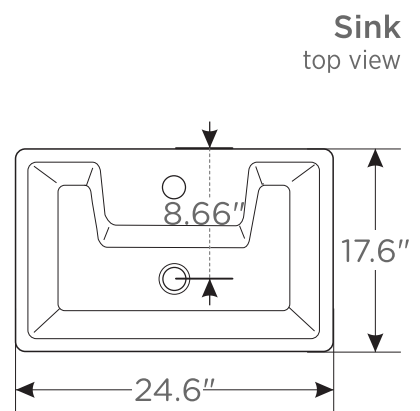
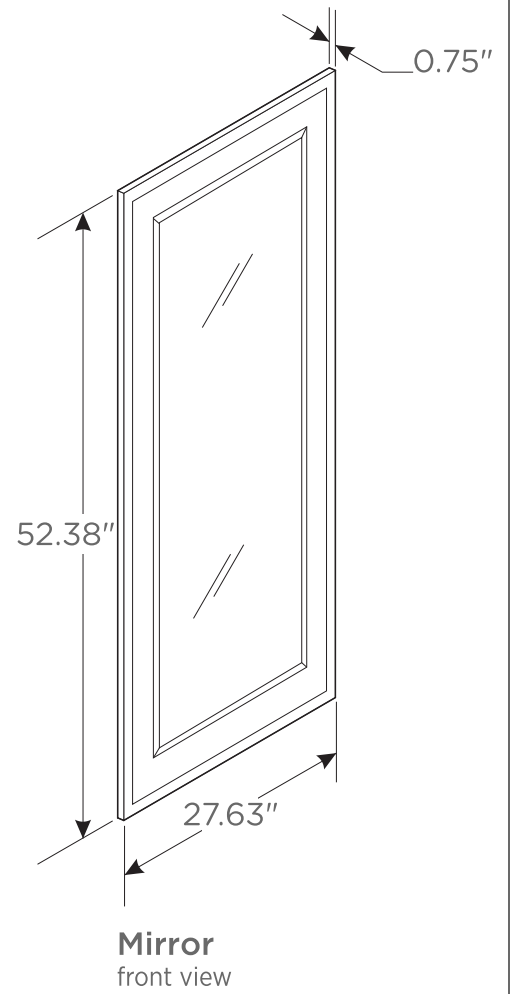
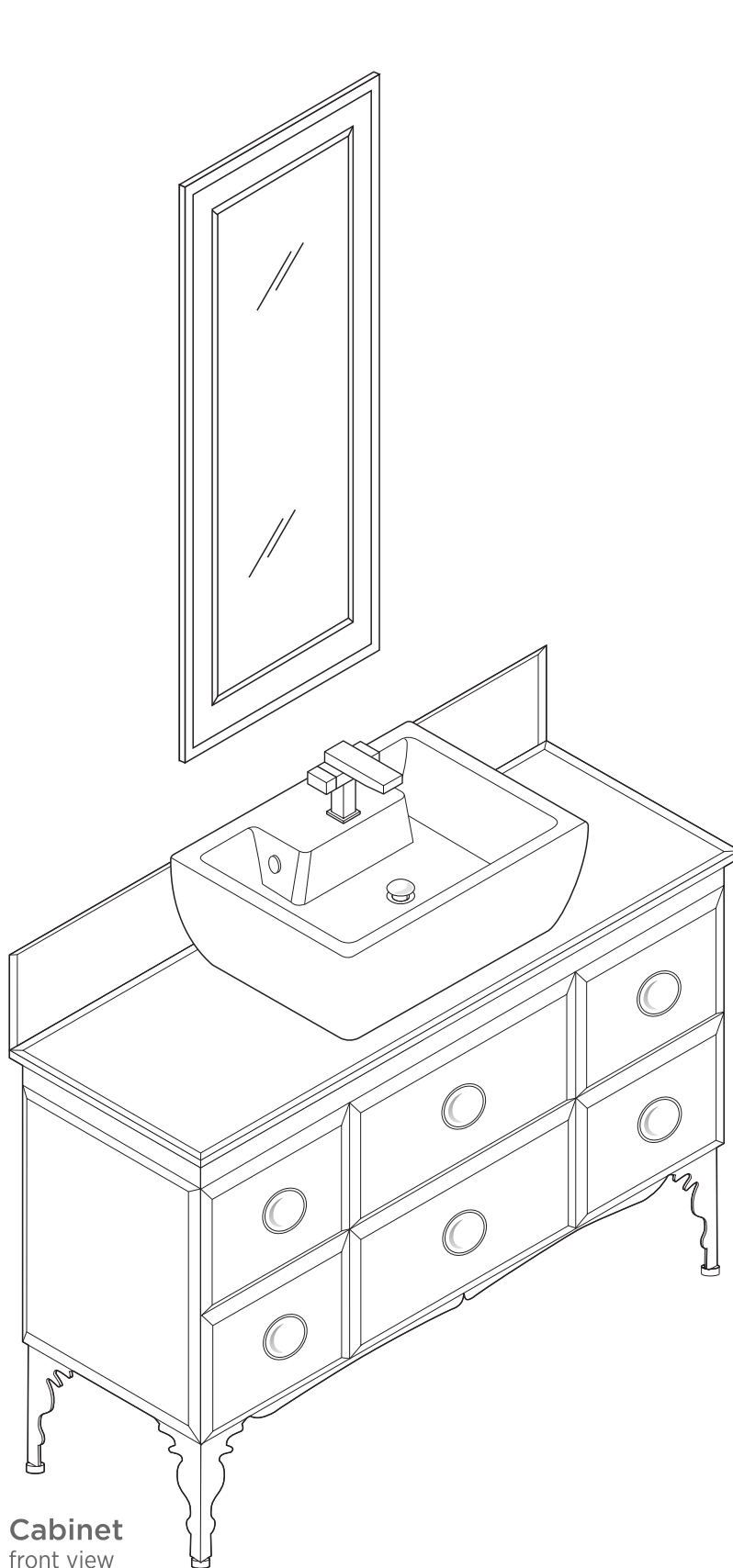
INSTALLATION GUIDE

CONTENTS:

Cabinet.....	(FCB7716).....	PAGE 4
Sink.....	(FVS7712).....	PAGE 4
Mirror.....	(FMR7716).....	PAGE 2

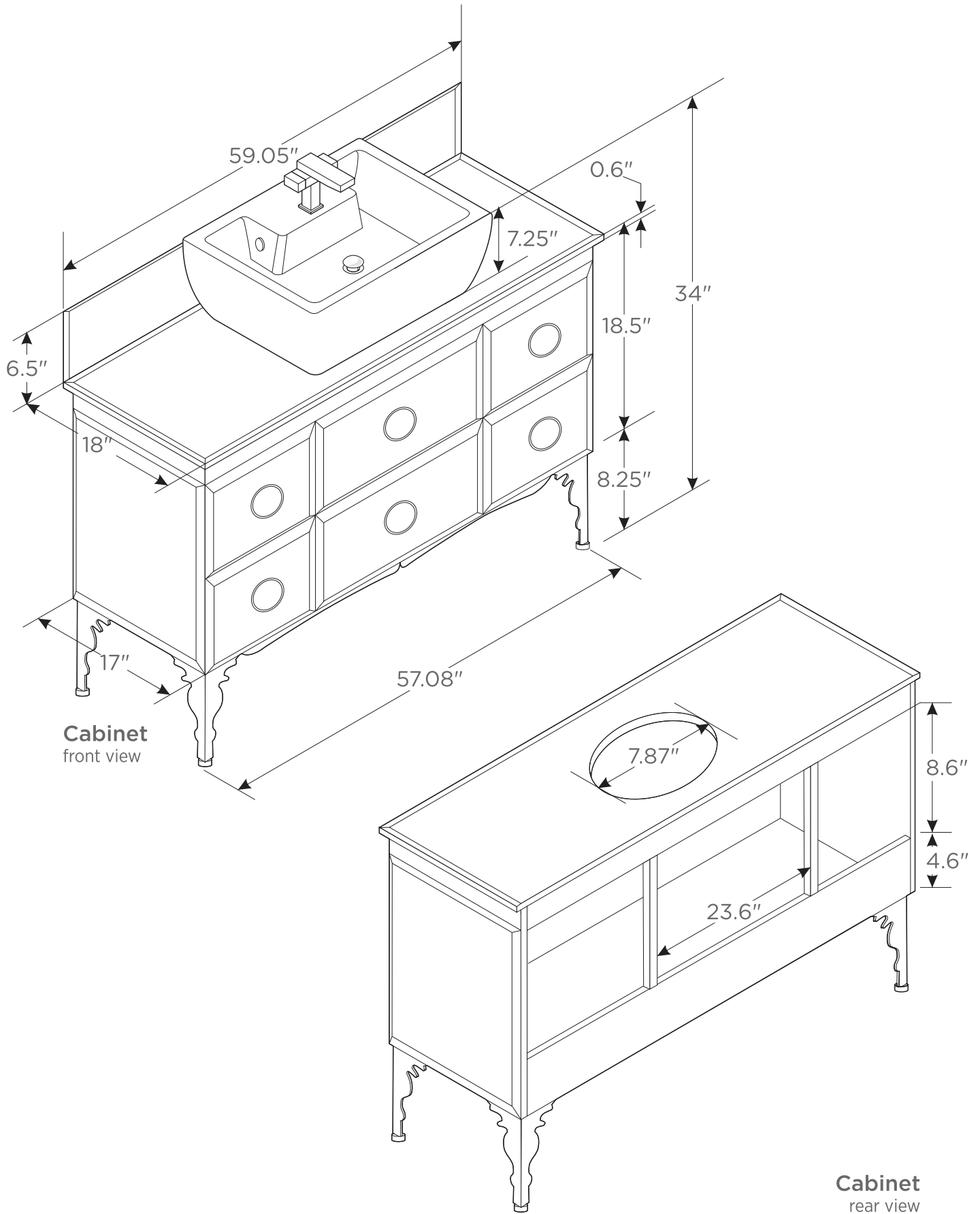


FVN7716 MOSELLE INSTALLATION GUIDE



NOTE: ALL DIMENSIONS & SPECIFICATIONS ARE APPROXIMATE AND SUBJECT TO CHANGE WITHOUT NOTICE.

DIMENSIONS

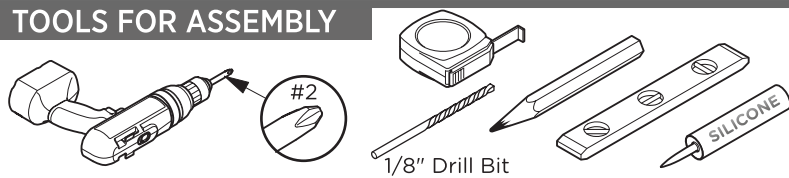


Cabinet
front view

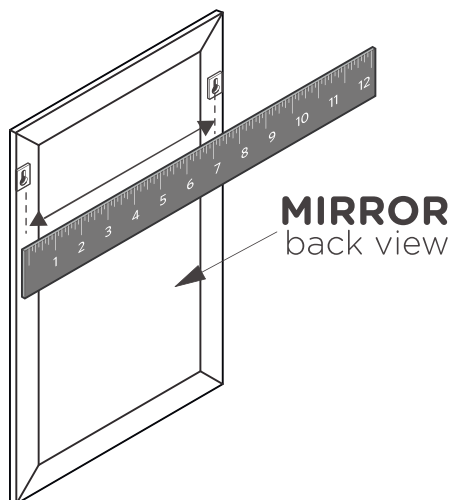
Cabinet
rear view

NOTE: ALL DIMENSIONS & SPECIFICATIONS ARE APPROXIMATE AND SUBJECT TO CHANGE WITHOUT NOTICE.

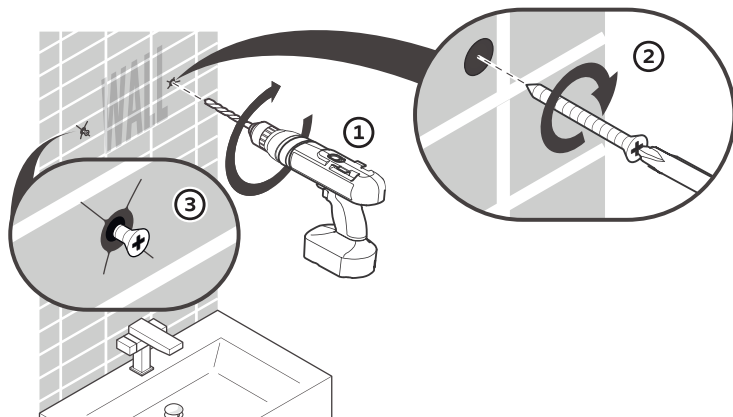
TOOLS FOR ASSEMBLY



- 1 Measure the distance between the brackets on the back of the mirror



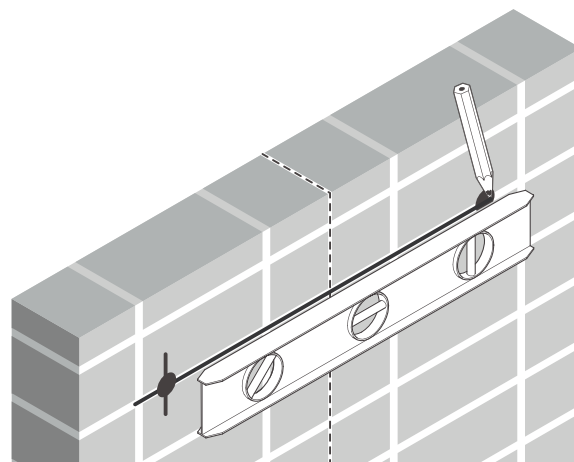
- 3 Once position is marked, drill 2 holes and insert anchors if stud is not available



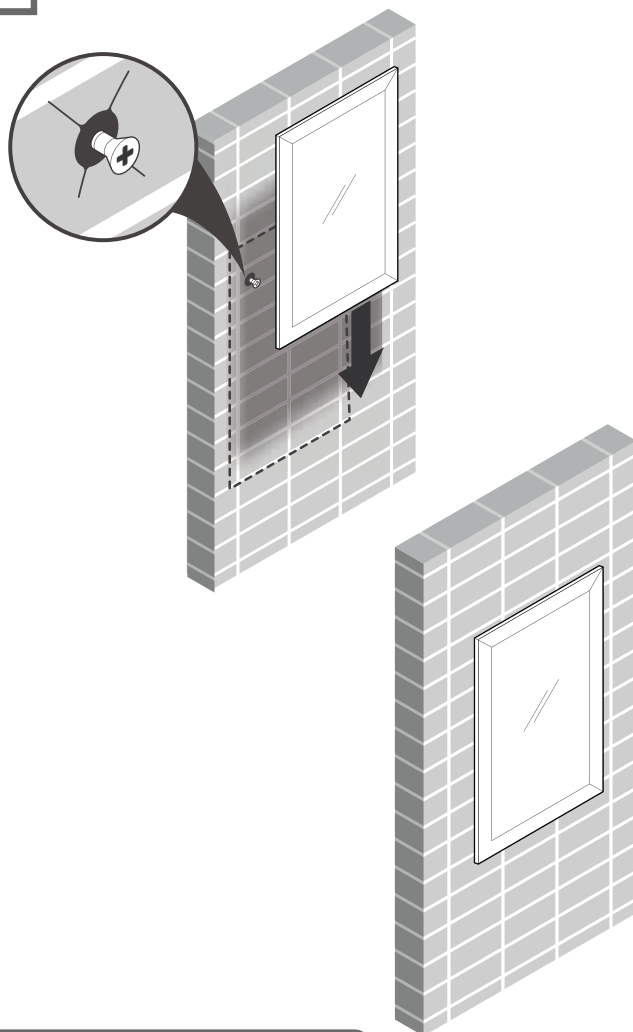
NOTE: Consult an expert for the proper screws/bolts to use when attaching to various constructions. Screws provided do not attach to all wall construction types.

MIRROR INSTALLATION

- 2 Mark the measured distance on the wall using a level



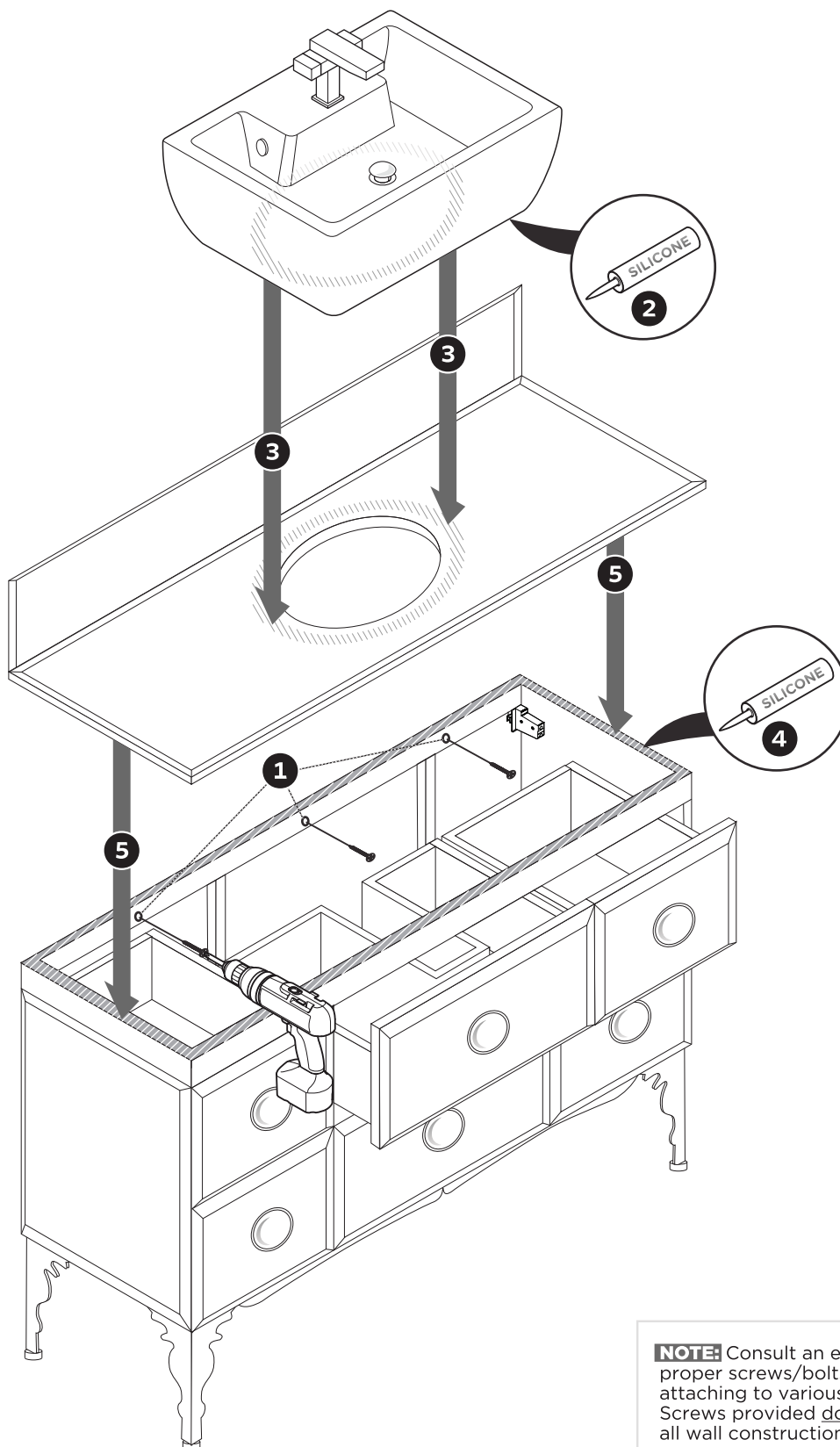
- 4 Hang mirror on the wall



VANITY INSTALLATION

1 Connect the cabinet to the wall

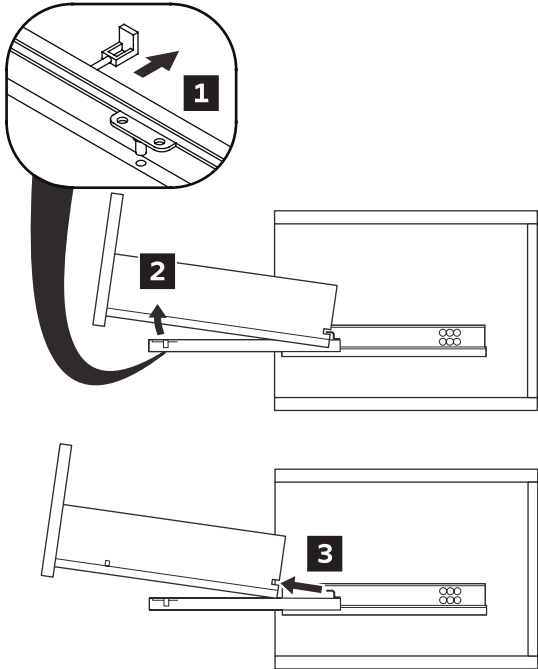
2 Apply a bead of silicone on the top of the cabinet and place countertop on it. Apply silicone on the bottom of the sink and place the sink on the countertop.



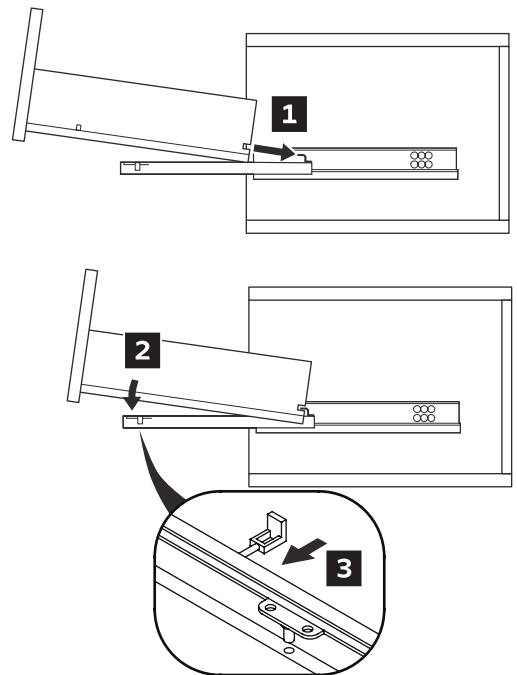
NOTE: Consult an expert for the proper screws/bolts to use when attaching to various constructions. Screws provided do not attach to all wall construction types.

DRAWER REMOVAL & INSTALLATION

REMOVAL



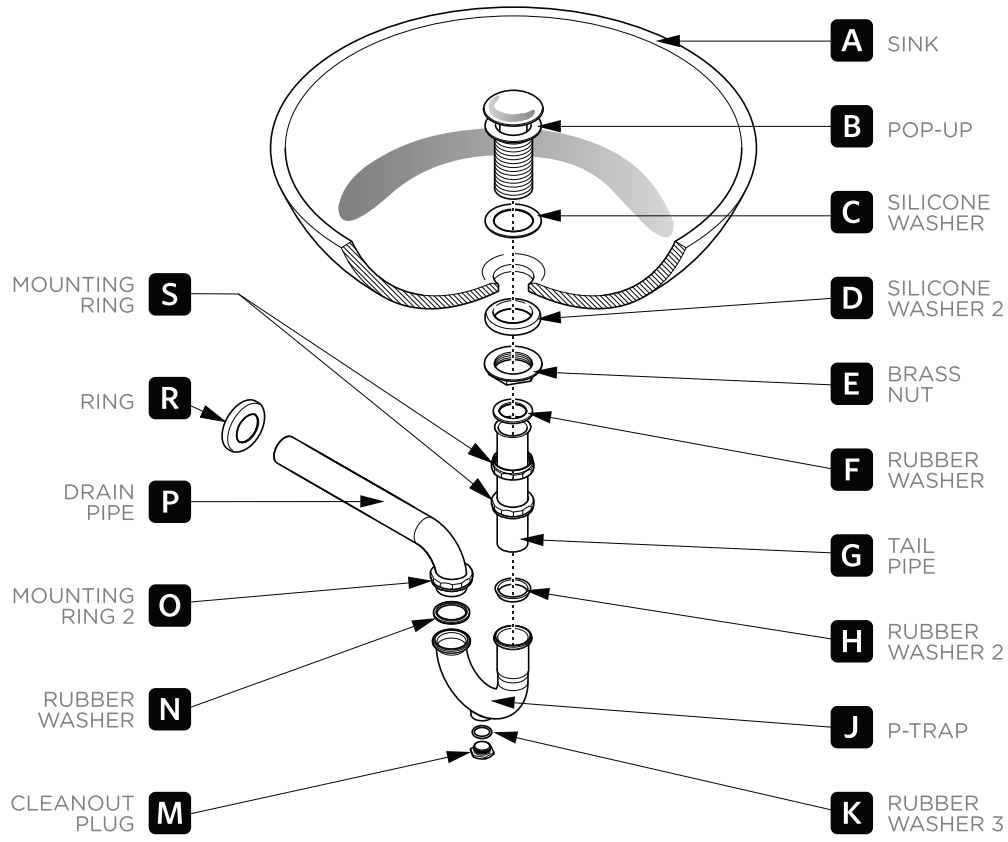
INSTALLATION



P-TRAP & POP-UP

INSTALLATION INSTRUCTIONS

Your item may appear slightly different from the illustration.



POP-UP INSTALLATION

FOR SINKS WITH OVERFLOW

