



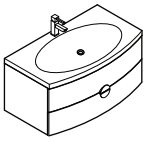
FVN5092

ENERGIA

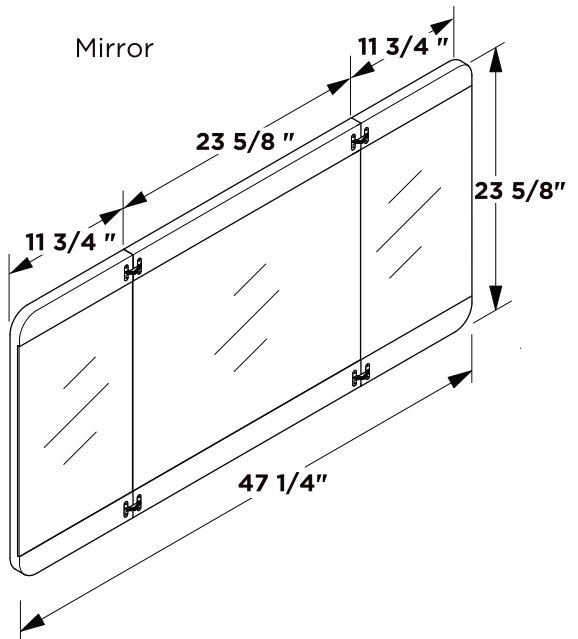
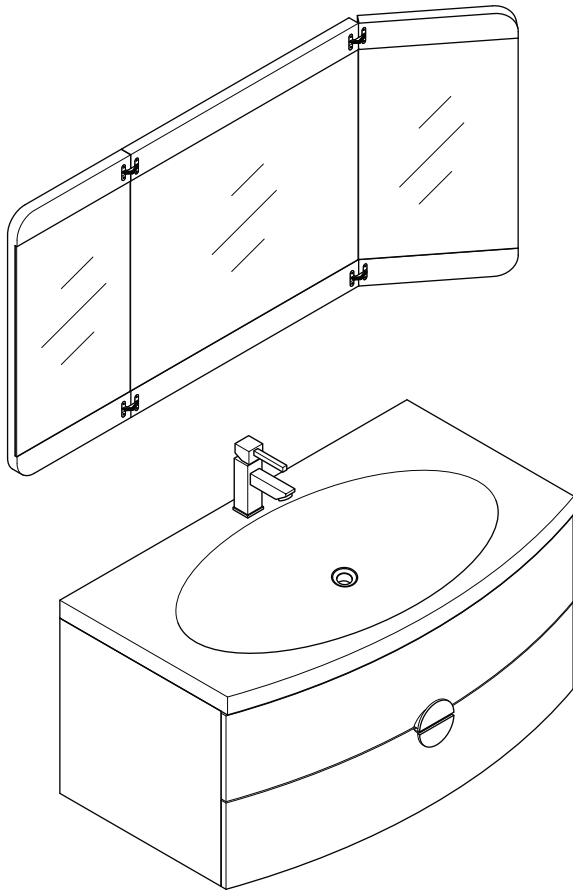
INSTALLATION GUIDE

CONTENTS:

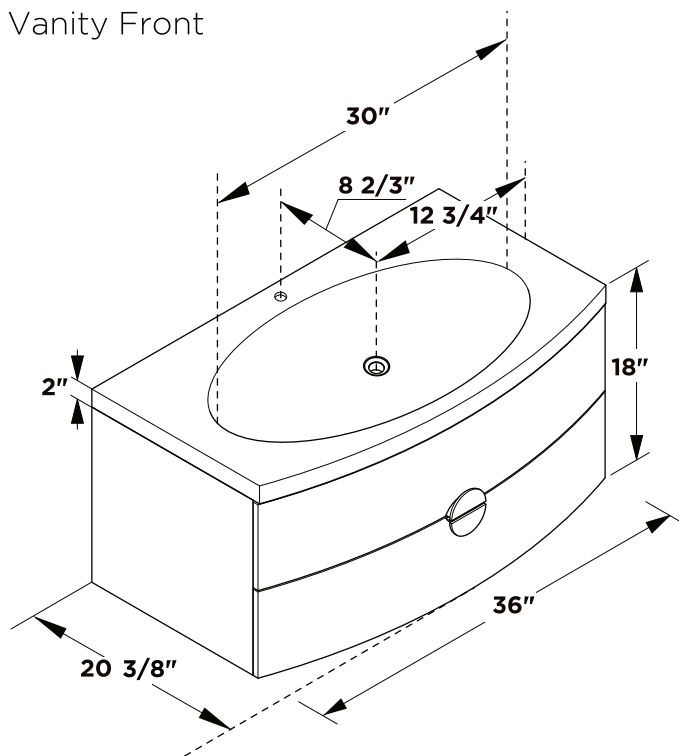
Cabinet.....	(FCB5092).....	PAGE 4
Sink.....	(FVS5092).....	PAGE 5
Mirror.....	(FMR5092).....	PAGE 2



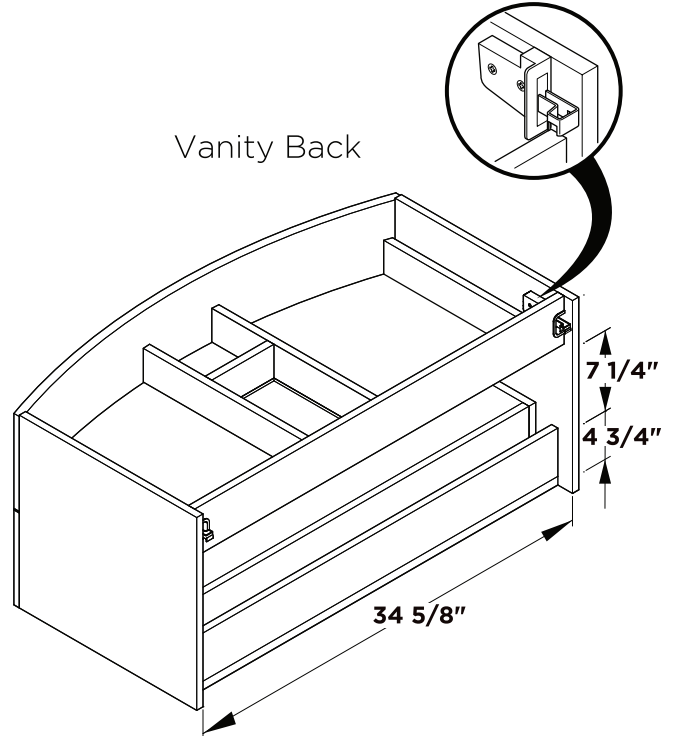
FVN5092 ENERGIA INSTALLATION GUIDE



Vanity Front

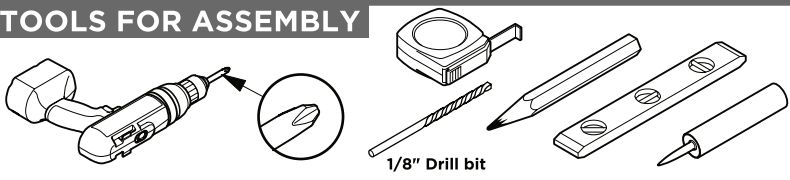


Vanity Back

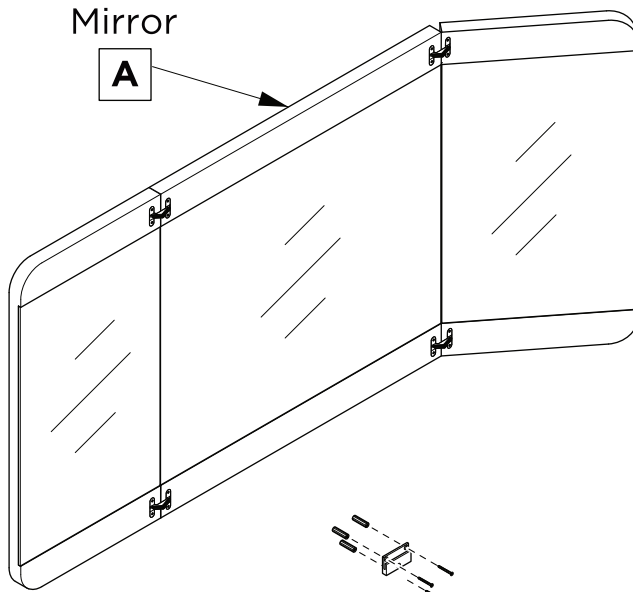
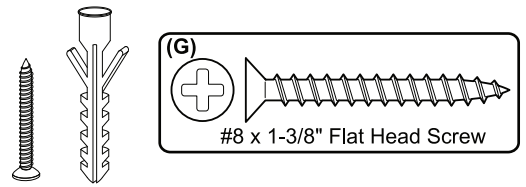


NOTE: ALL DIMENSIONS & SPECIFICATIONS ARE APPROXIMATE AND SUBJECT TO CHANGE WITHOUT NOTICE.

TOOLS FOR ASSEMBLY



PARTS



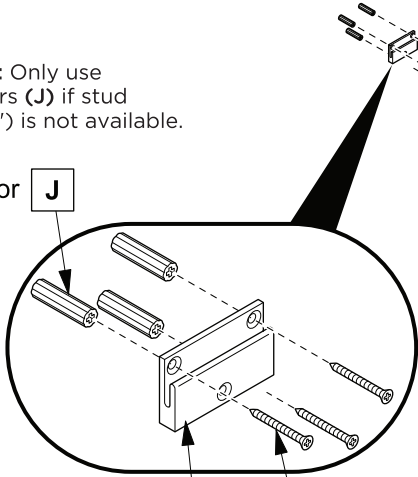
Mirror

A

NOTE: Only use anchors (J) if stud (2"X4") is not available.

Anchor

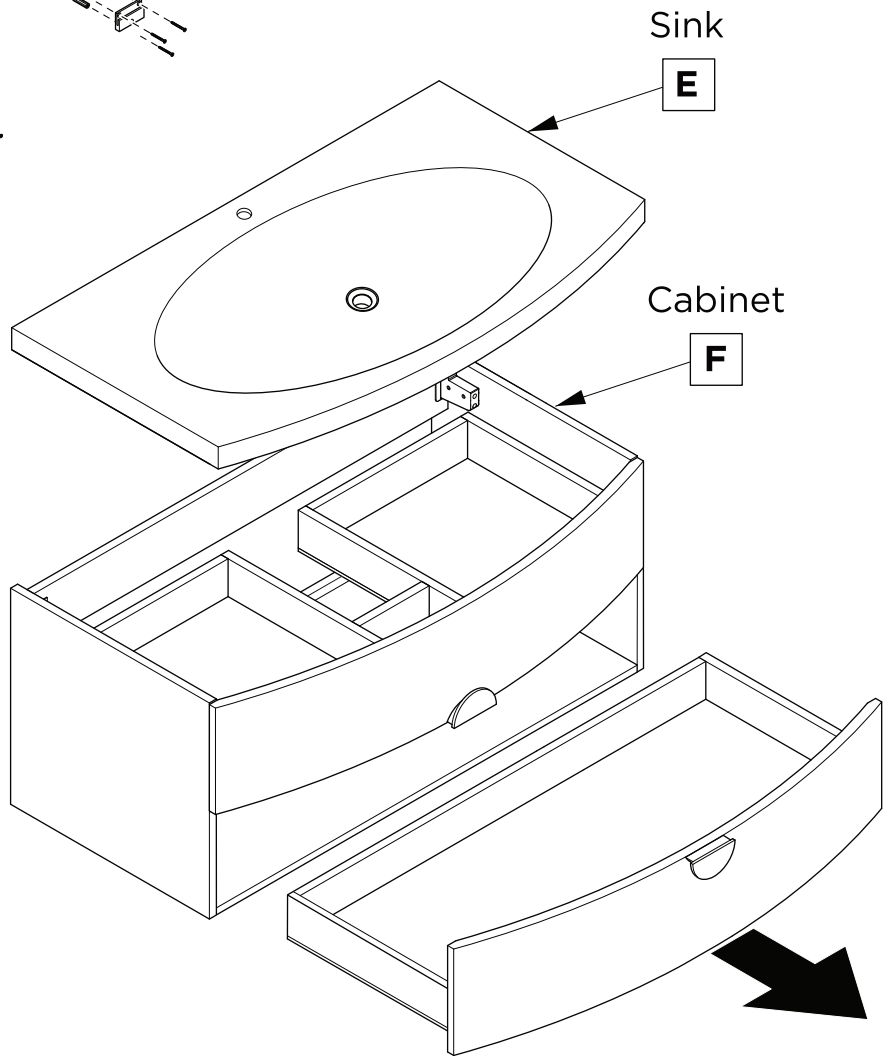
J



Wall Bracket

H

G



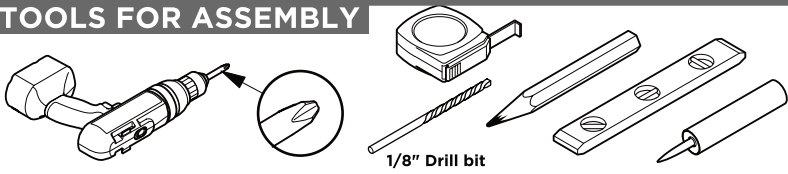
Sink

E

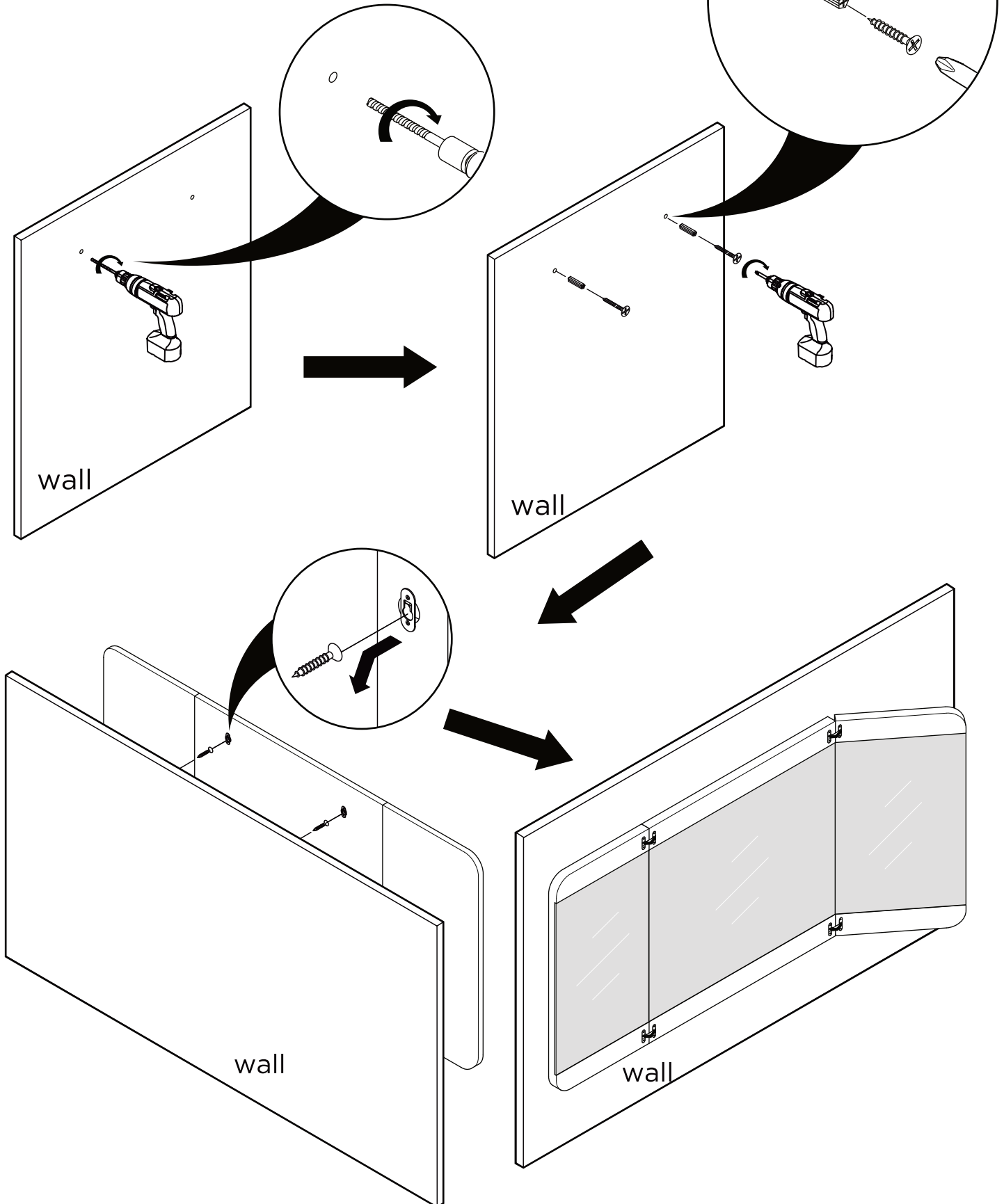
Cabinet

F

TOOLS FOR ASSEMBLY

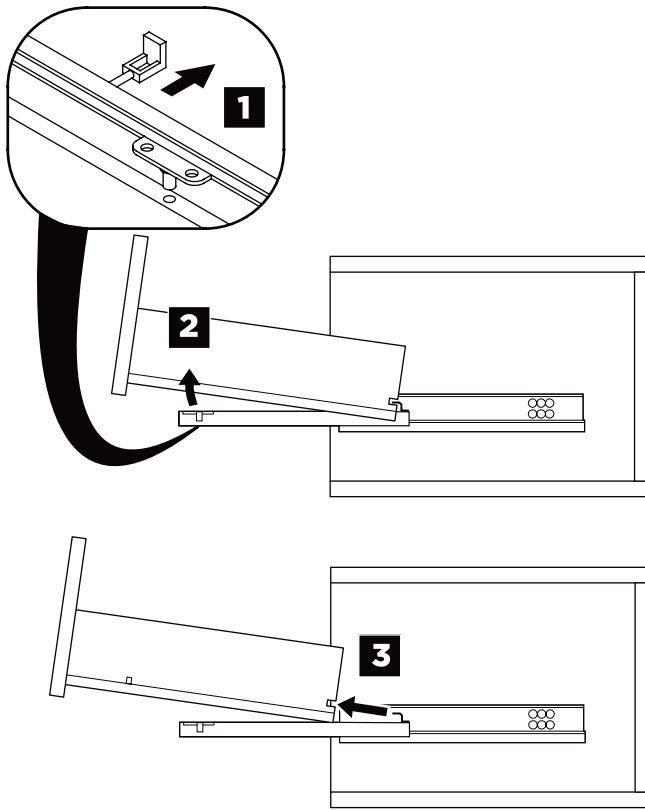


MIRROR INSTALLATION

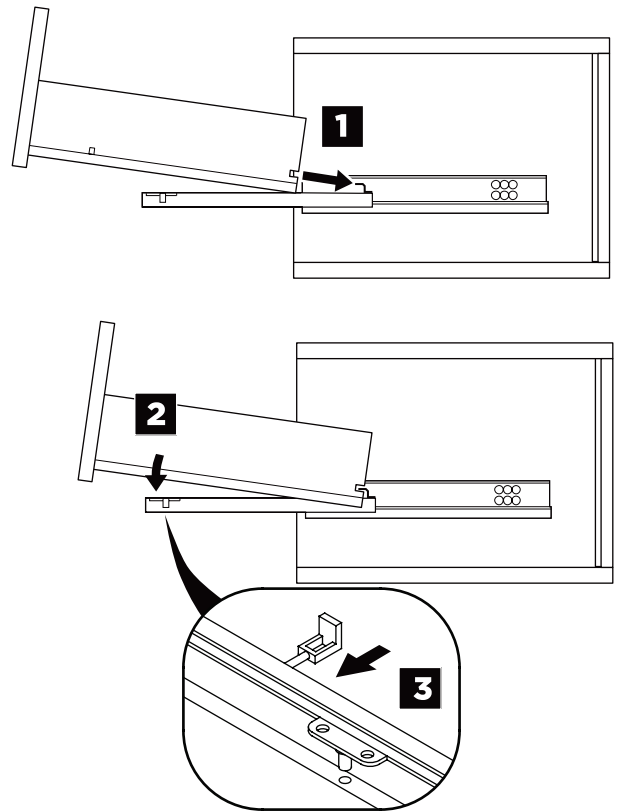


DRAWER REMOVAL & INSTALLATION

REMOVAL

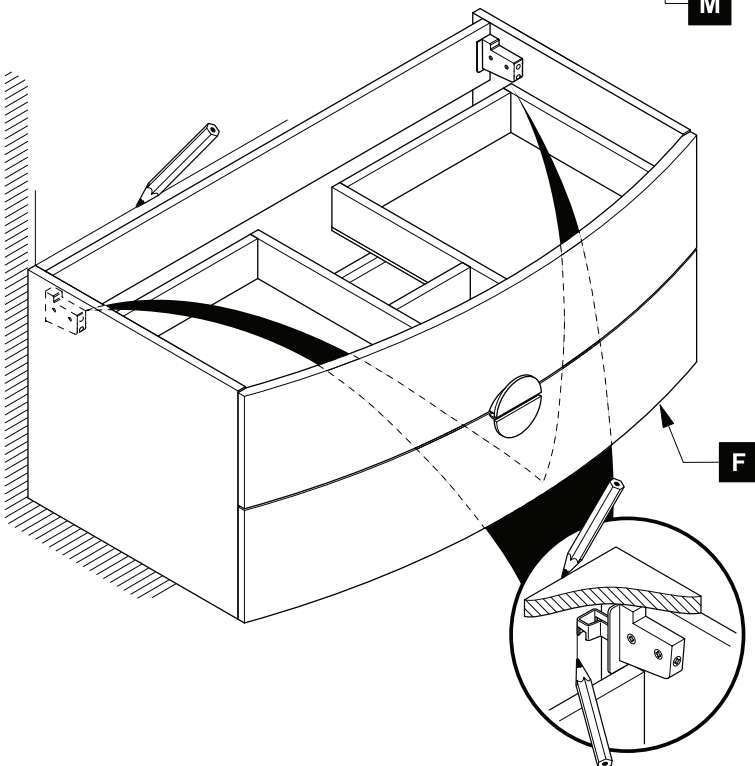
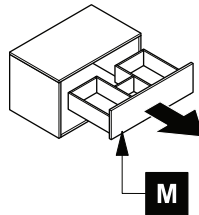


INSTALLATION



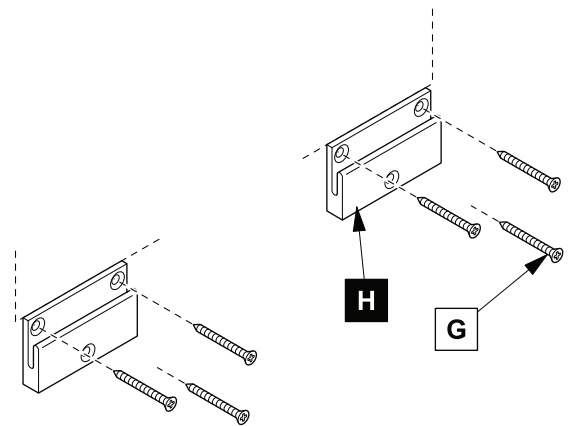
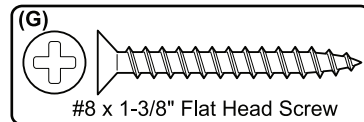
1 Remove drawer (M)

2 Mark cabinet's location (F)

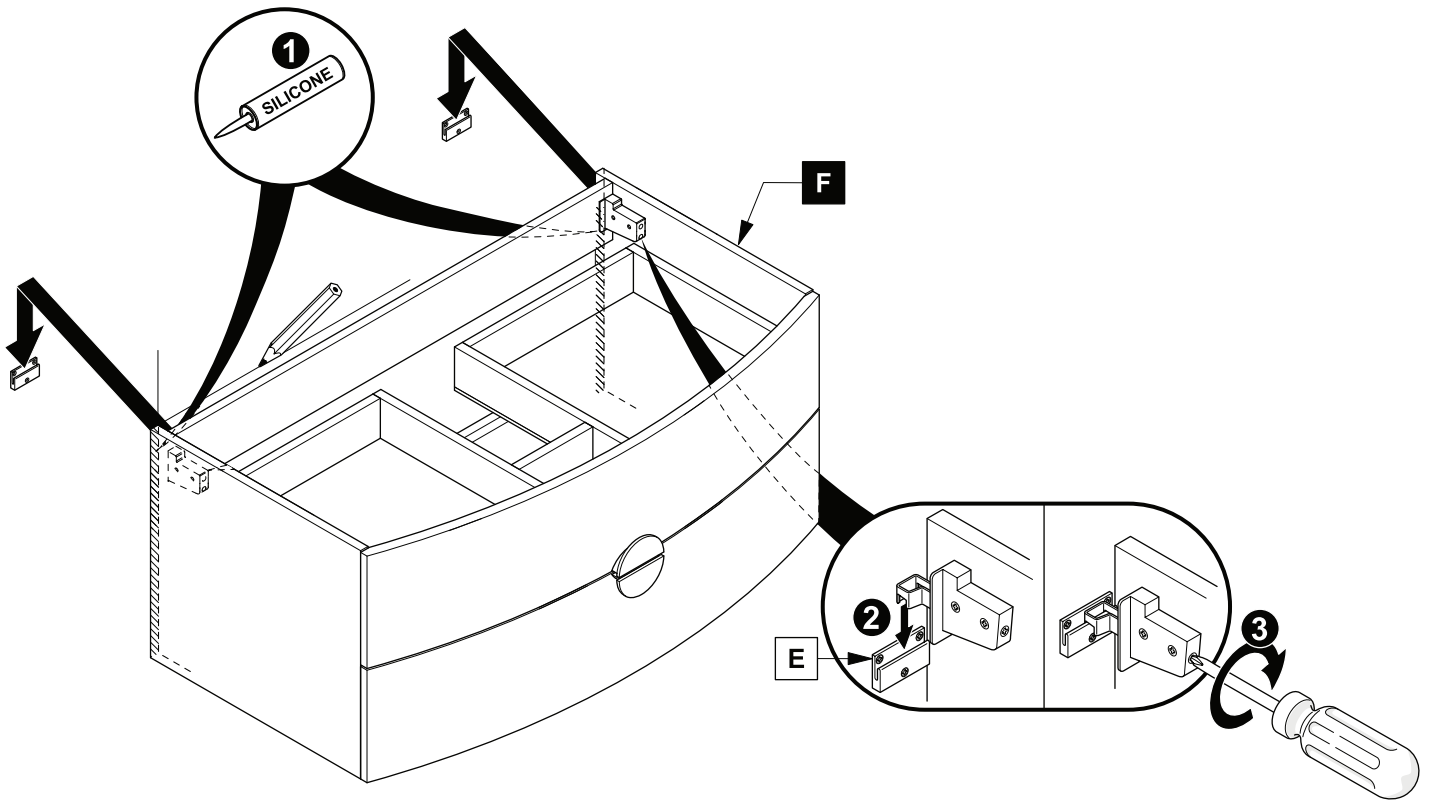


3 Connect wall brackets (H) to the wall

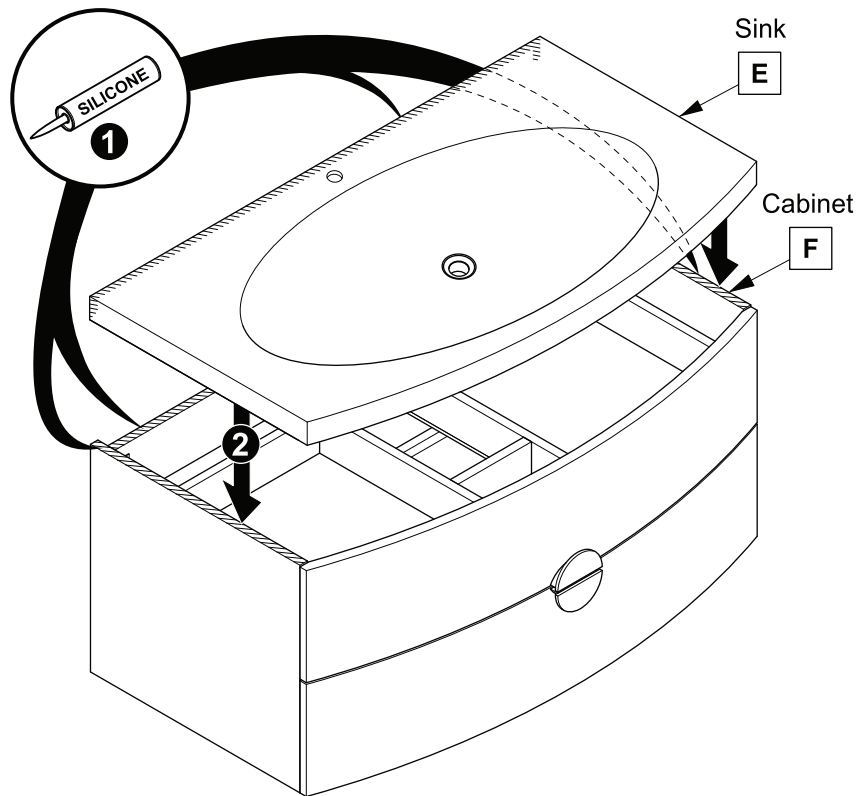
IMPORTANT: Consult an expert for the proper screws/bolts to use when attaching to various constructions. Screws provided do not attach to all wall construction types.



4 Apply silicone and install cabinet (F)



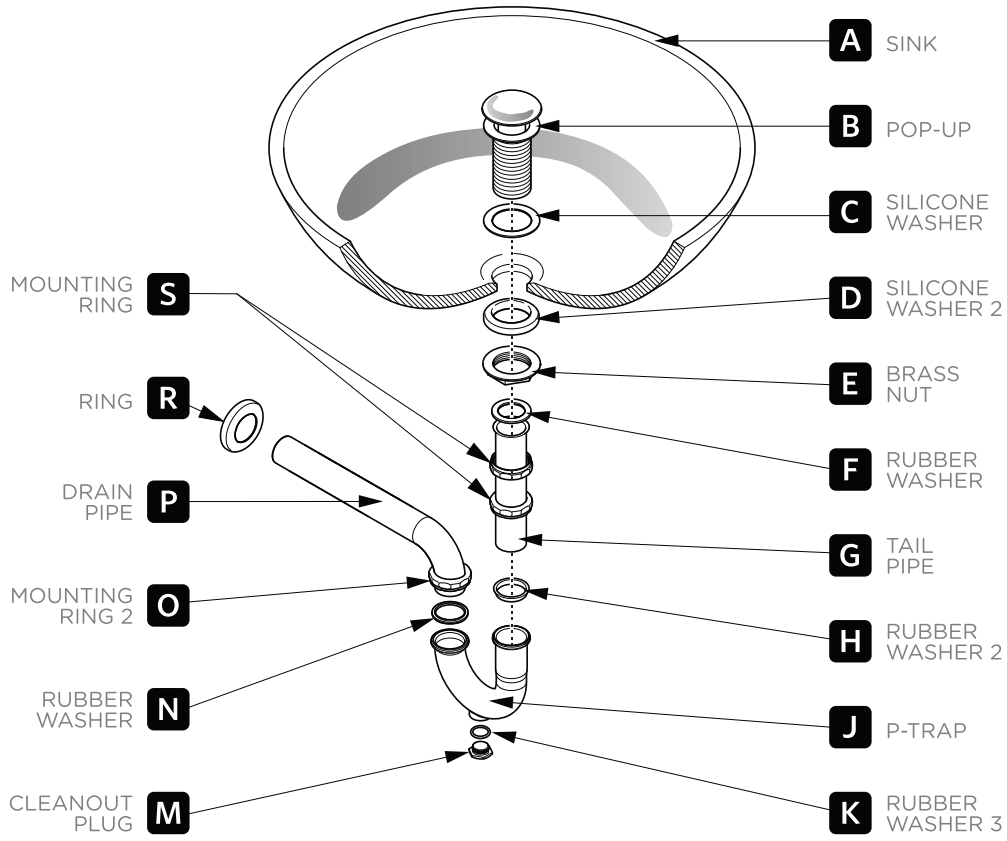
5 Apply silicone and install sink (E)



P-TRAP & POP-UP

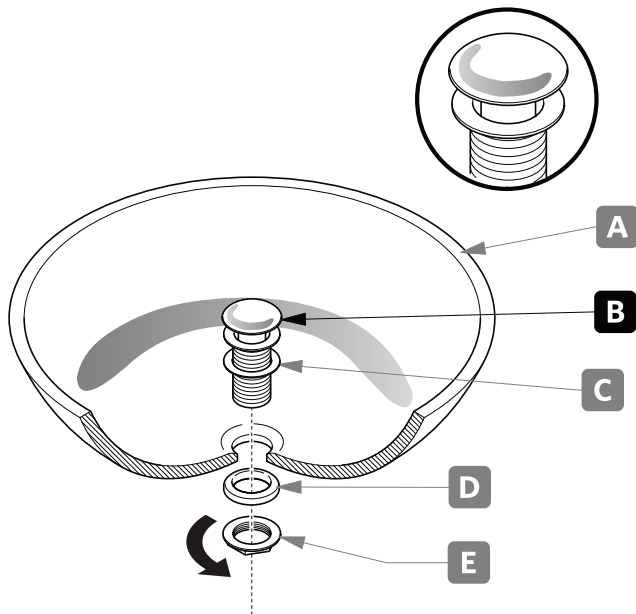
INSTALLATION INSTRUCTIONS

Your item may appear slightly different from the illustration.



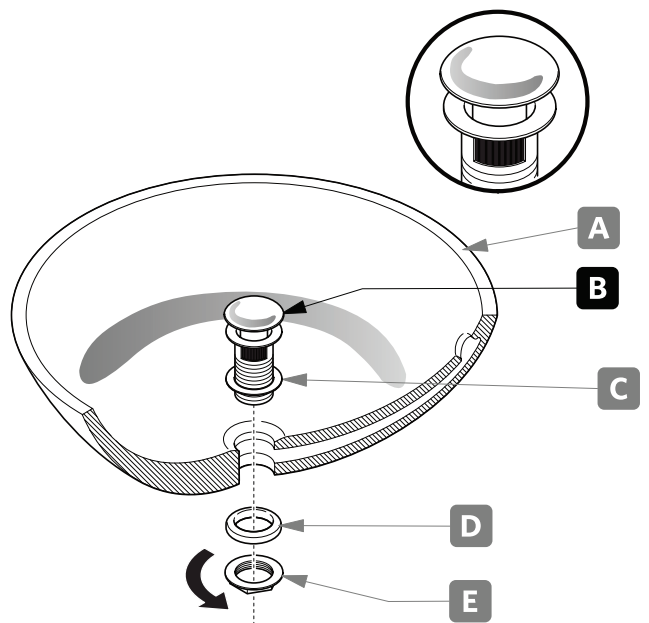
POP-UP INSTALLATION

FOR SINKS WITHOUT OVERFLOW



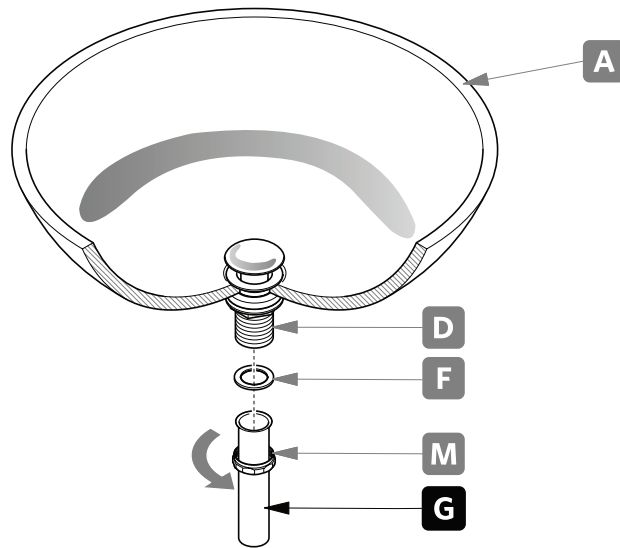
OR

FOR SINKS WITH OVERFLOW



P-TRAP INSTALLATION

1. Install tail pipe (**G**).



2. Install P-trap (**J**).

