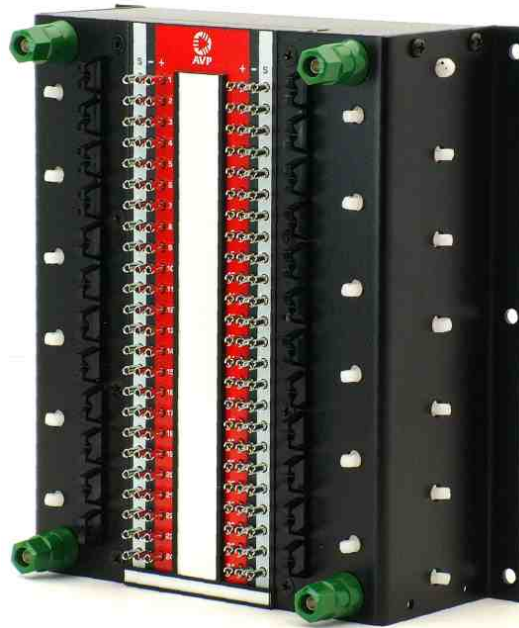


AVP Rapid Punch Terminal (RPT) System

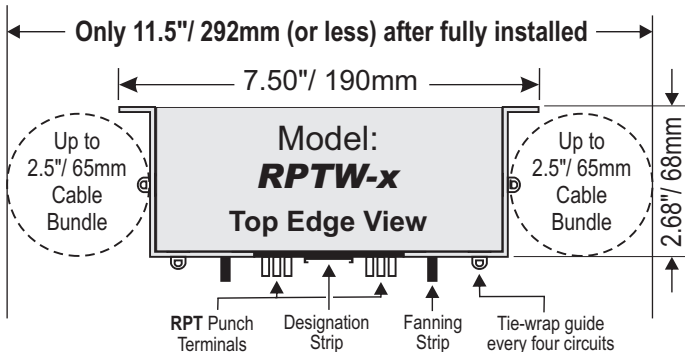
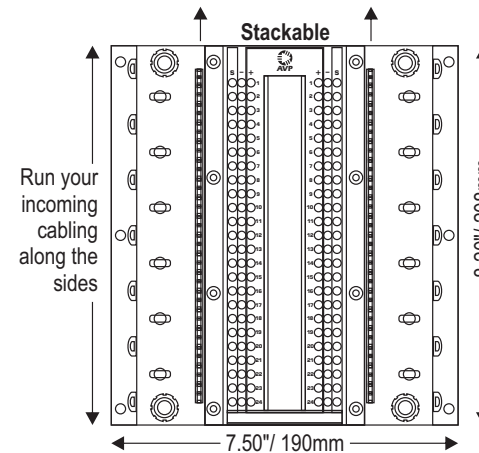
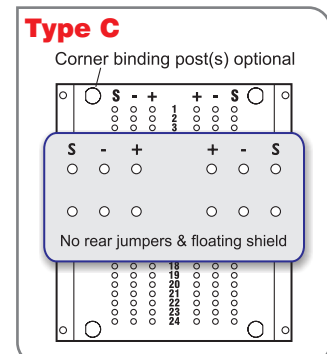
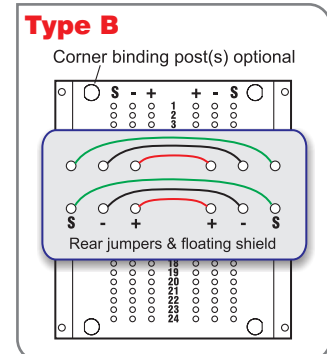
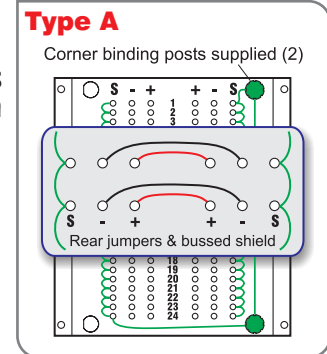
RPT Wall-Mount Punch Block & Integrated Cable Management Systems

Punch Blocks designed to stack on wall

- Terminates 2x24 (T, R, S) circuits
- Terminates 20-28 gage solid or stranded, two wires per terminal, even 1 gage apart
- Oversize split cylinder, certified gas tight, heavy-duty rigid mounted terminal
- AVP Punch System allows clean one-step wire insertion and trimming
- Circuit designation strip and title block. Everything at a glance!
- Color-coding and numbering makes circuit identification simple



Three configurations to choose from



Ordering Information		
Popular Models	Model	Description
Type A	RPTW-A	Punch Block with full cable management capabilities includes 2 binding posts
Type B	RPTW-B	Punch Block with full cable management capabilities
Type C	RPTW-C	Punch Block with full cable management capabilities
Accessories	B750	Binding Post
	AT-RPT-PTK	Punch Tool with Tip
	AT-RPT-TIP	Punch Tip