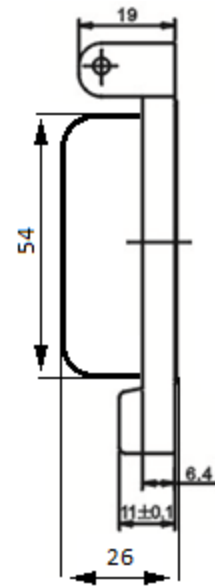
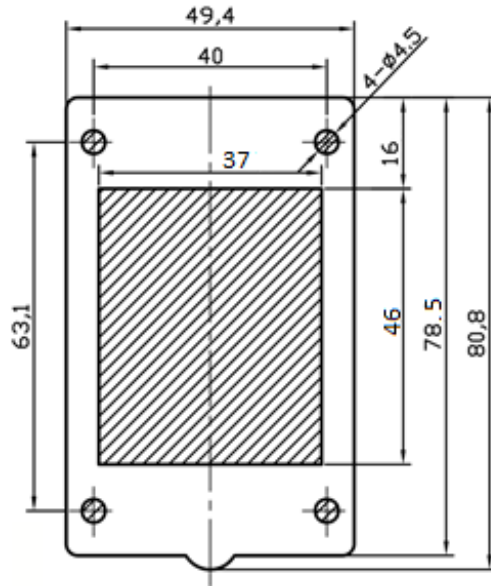
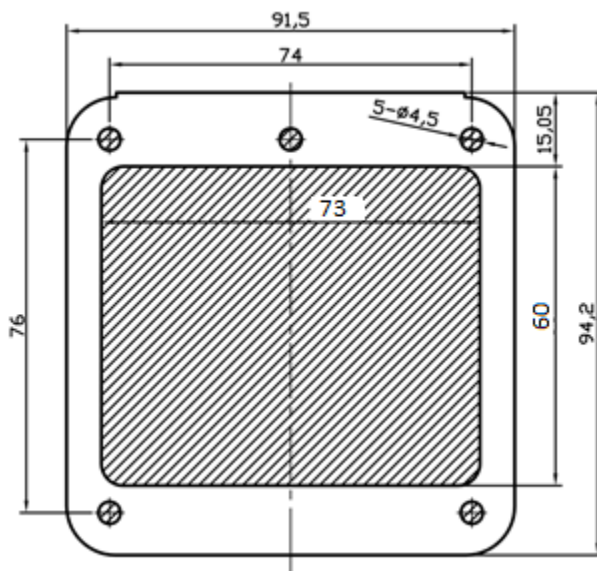


TECHNICAL DRAWINGS: CP ACCESS WINDOWS

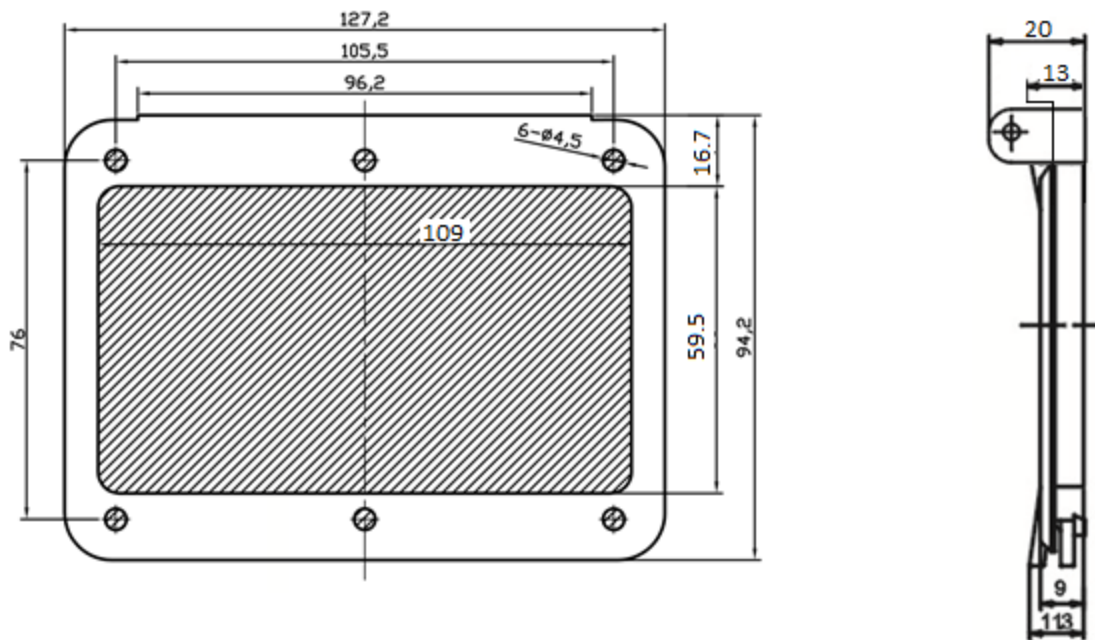
CP ACCESS WINDOWS UNPROTECTED TECHNICAL DRAWINGS 2 MODULE



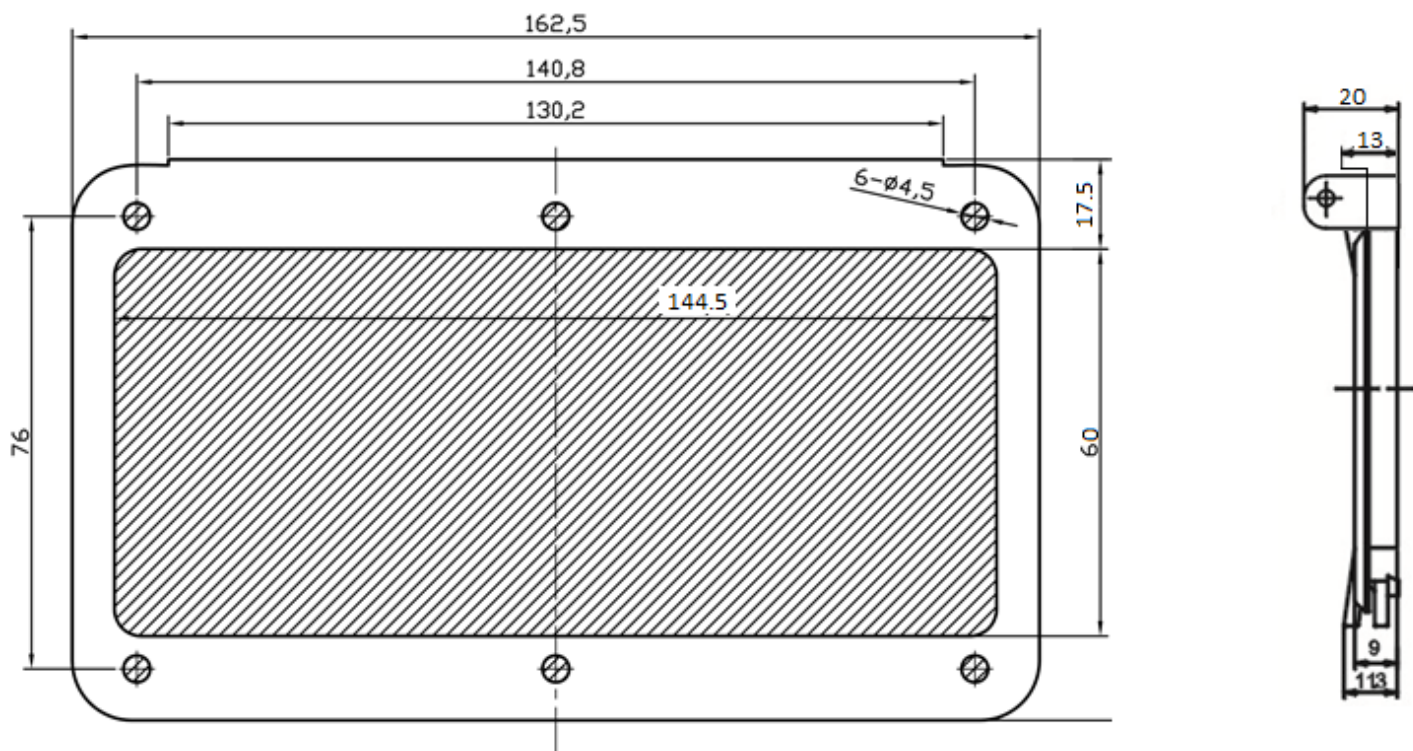
4 MODULE



6 MODULE



8 MODULE



12 MODULE

