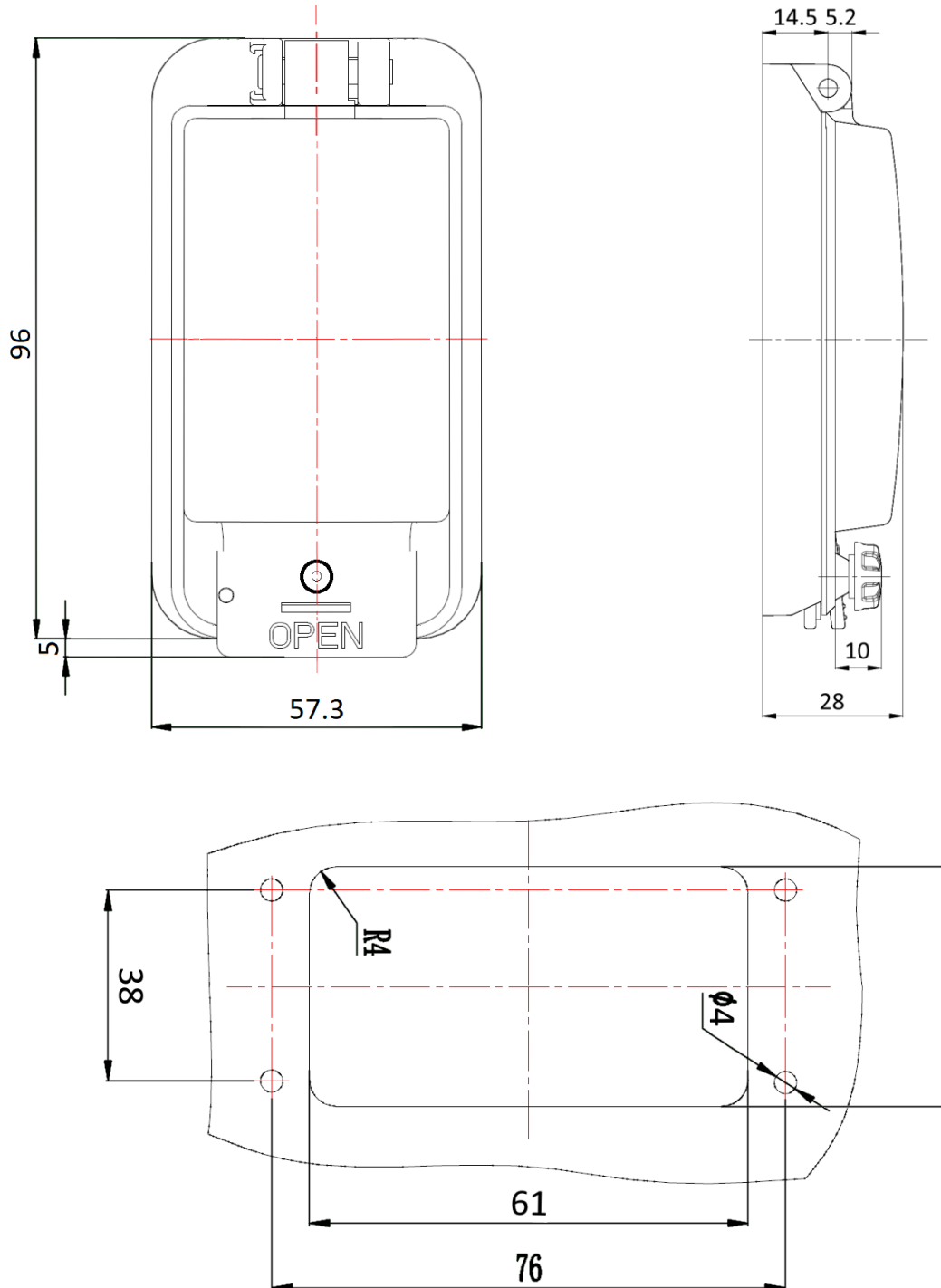
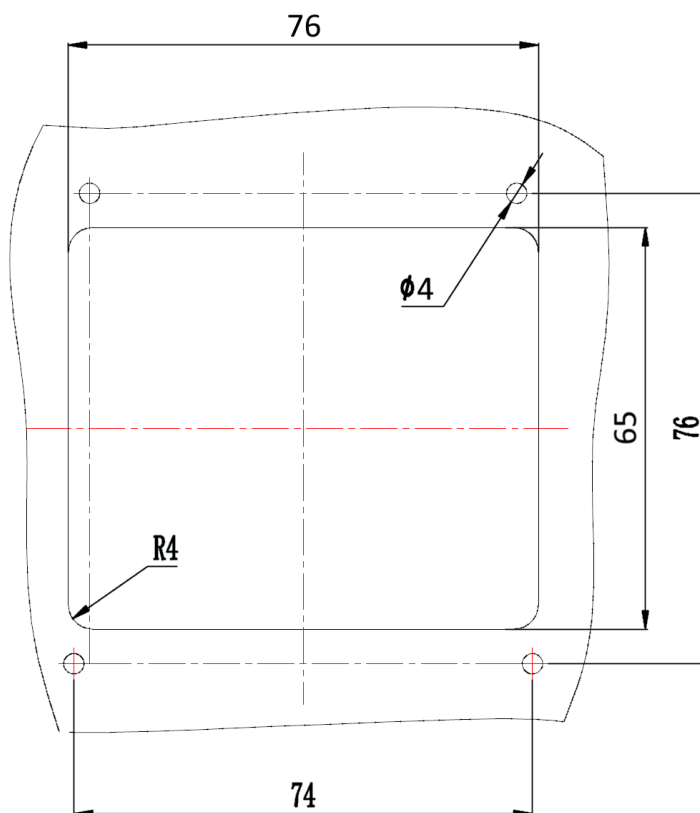
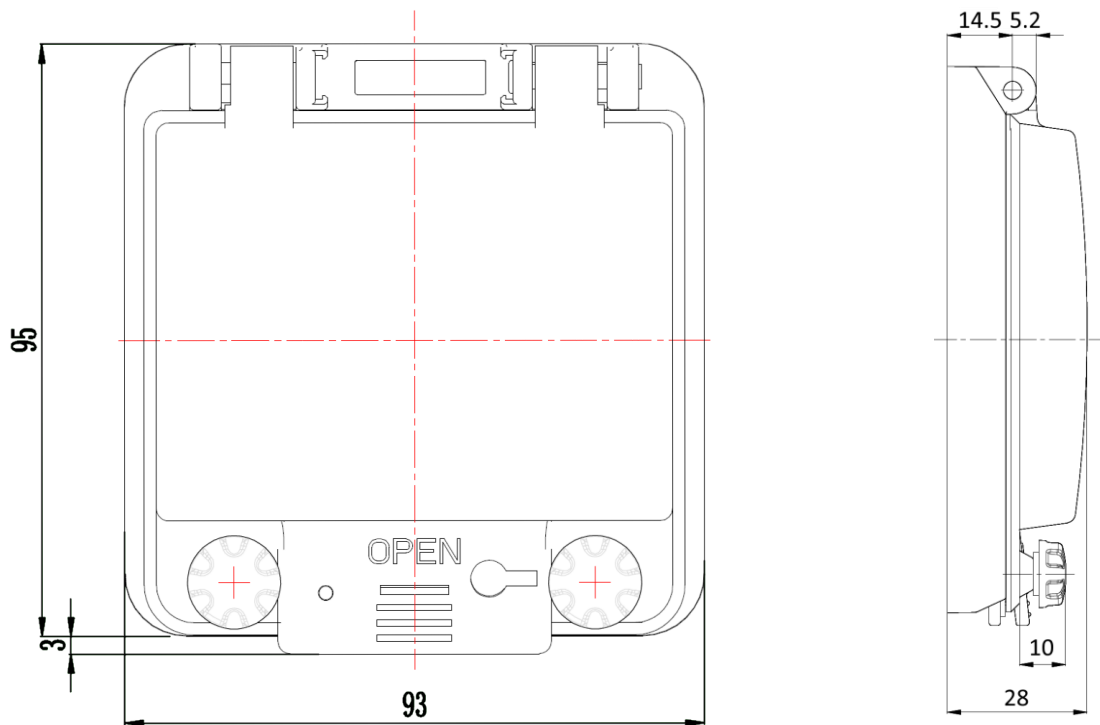


TECHNICAL DRAWINGS: CP ACCESS WINDOWS

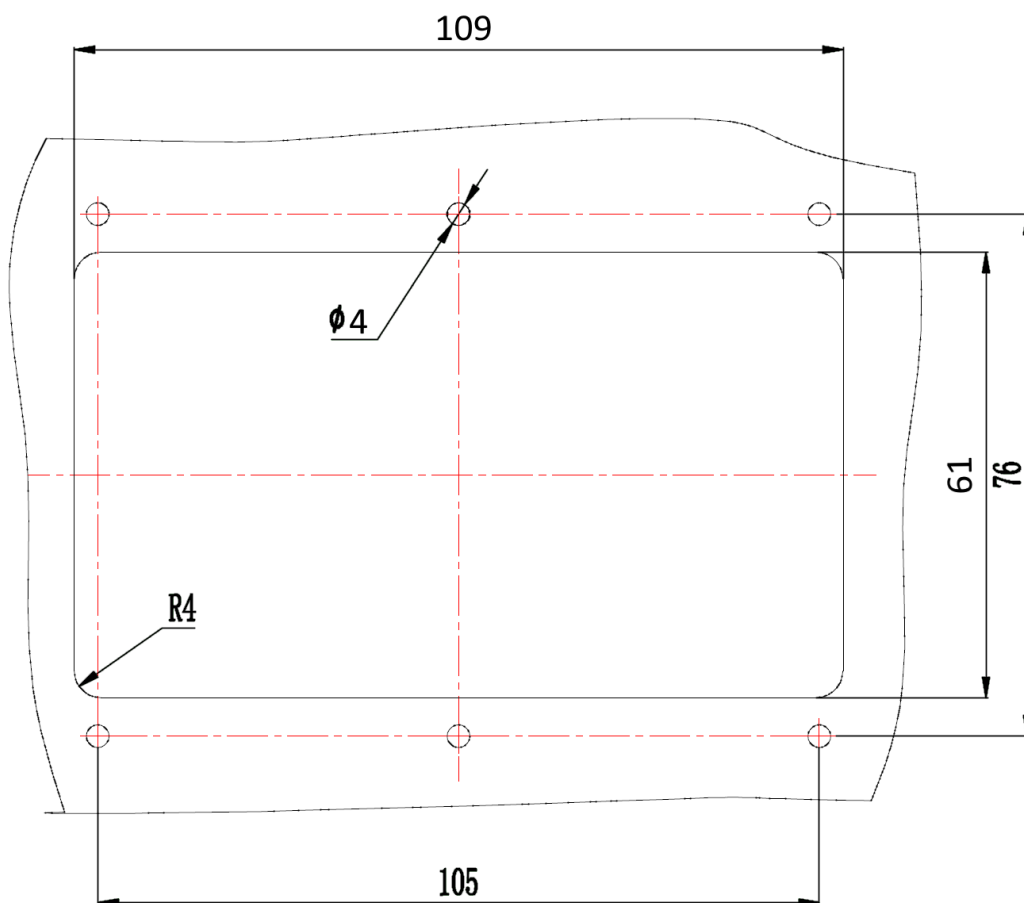
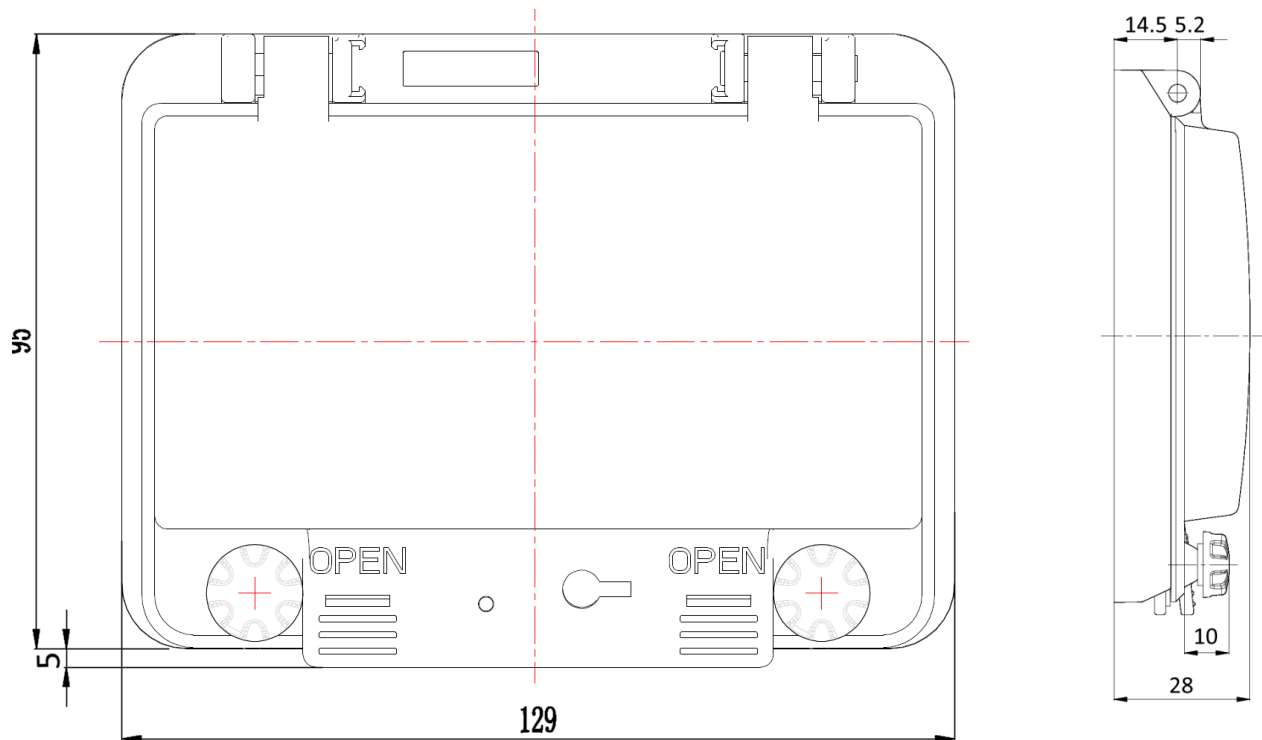
CP ACCESS WINDOWS UNPROTECTED
TECHNICAL DRAWINGS
2 MODULE



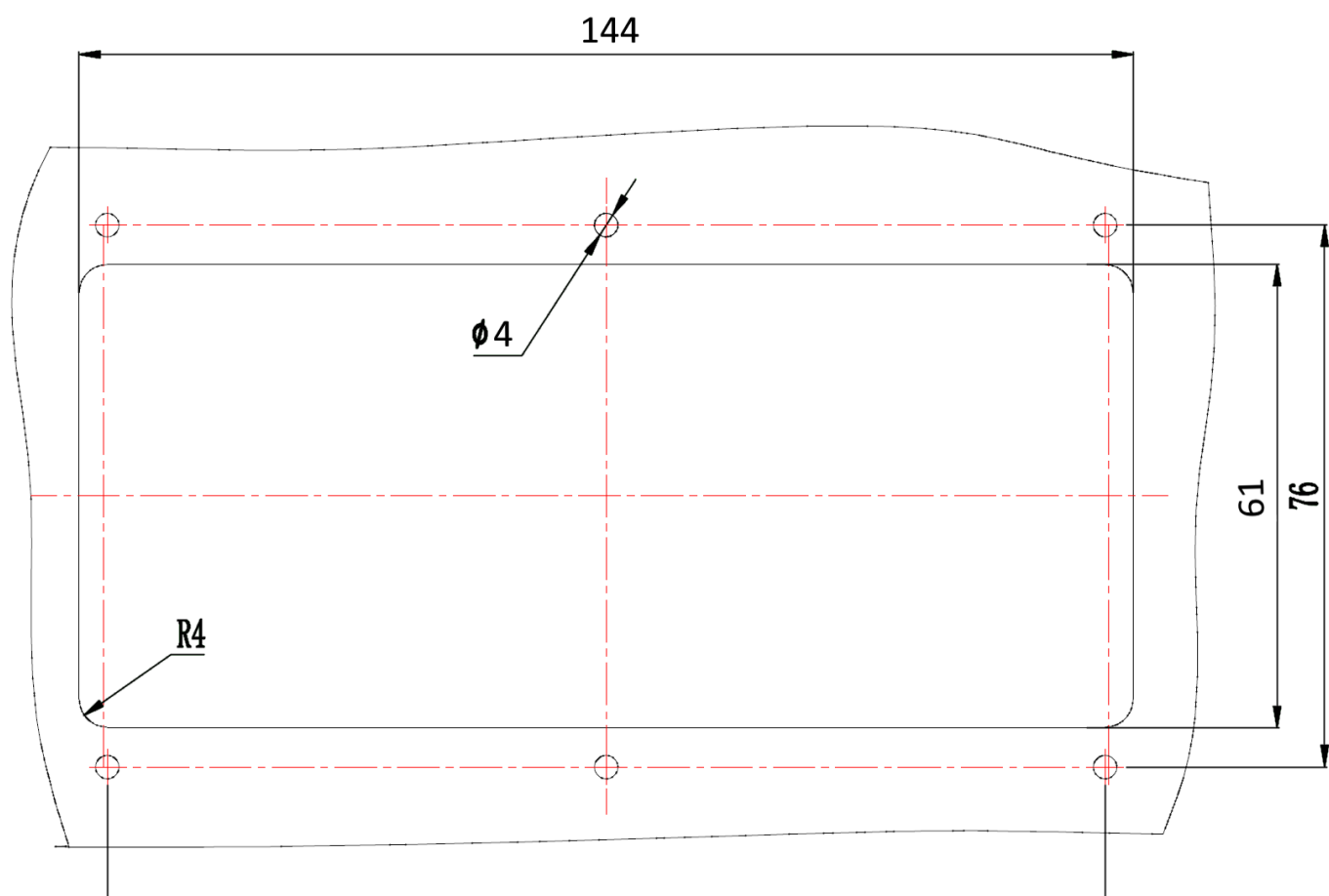
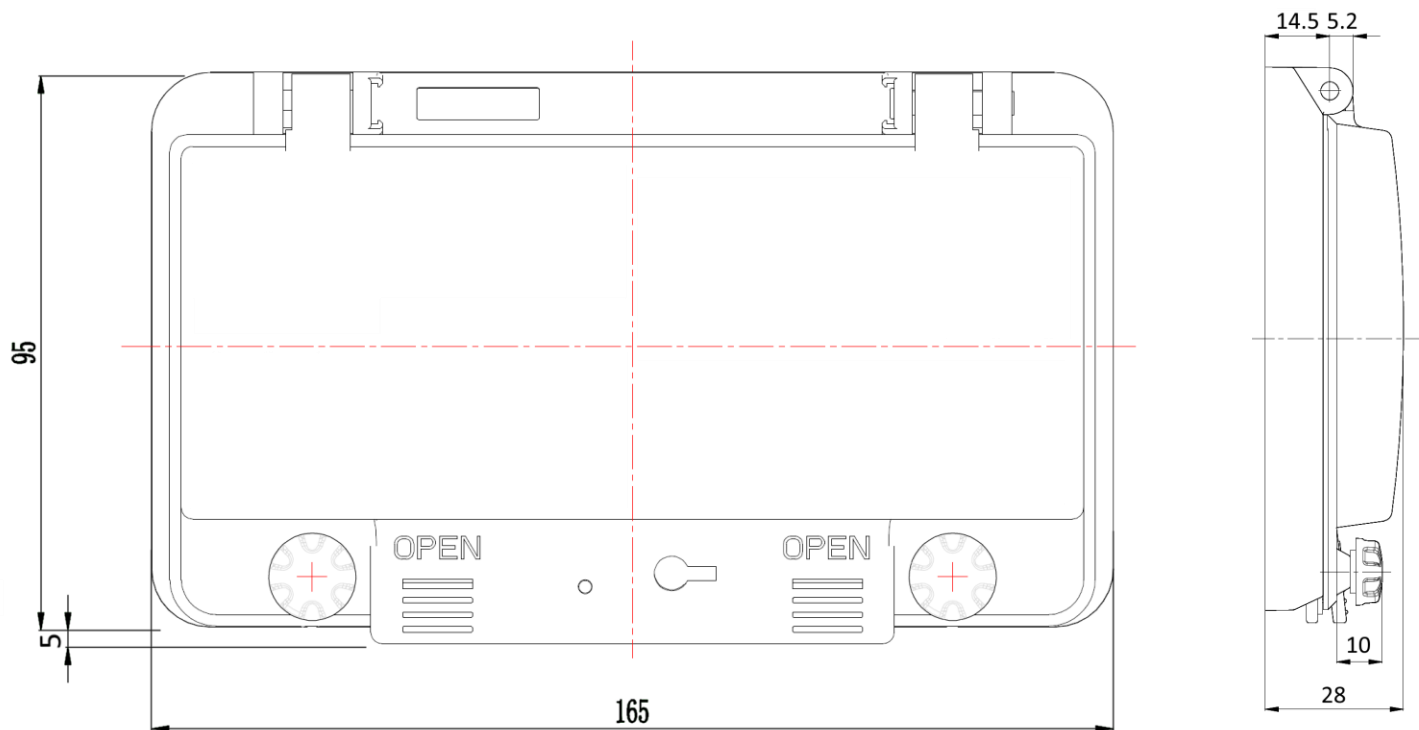
4 MODULE



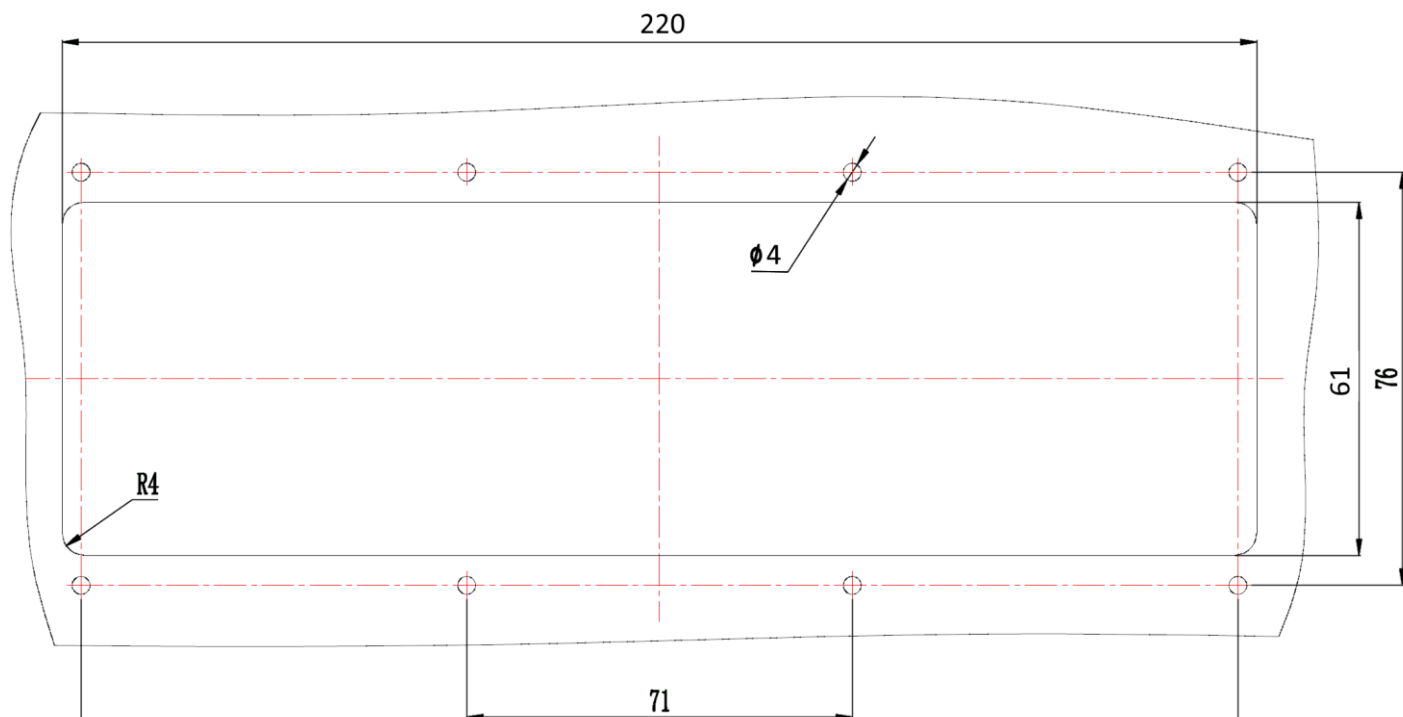
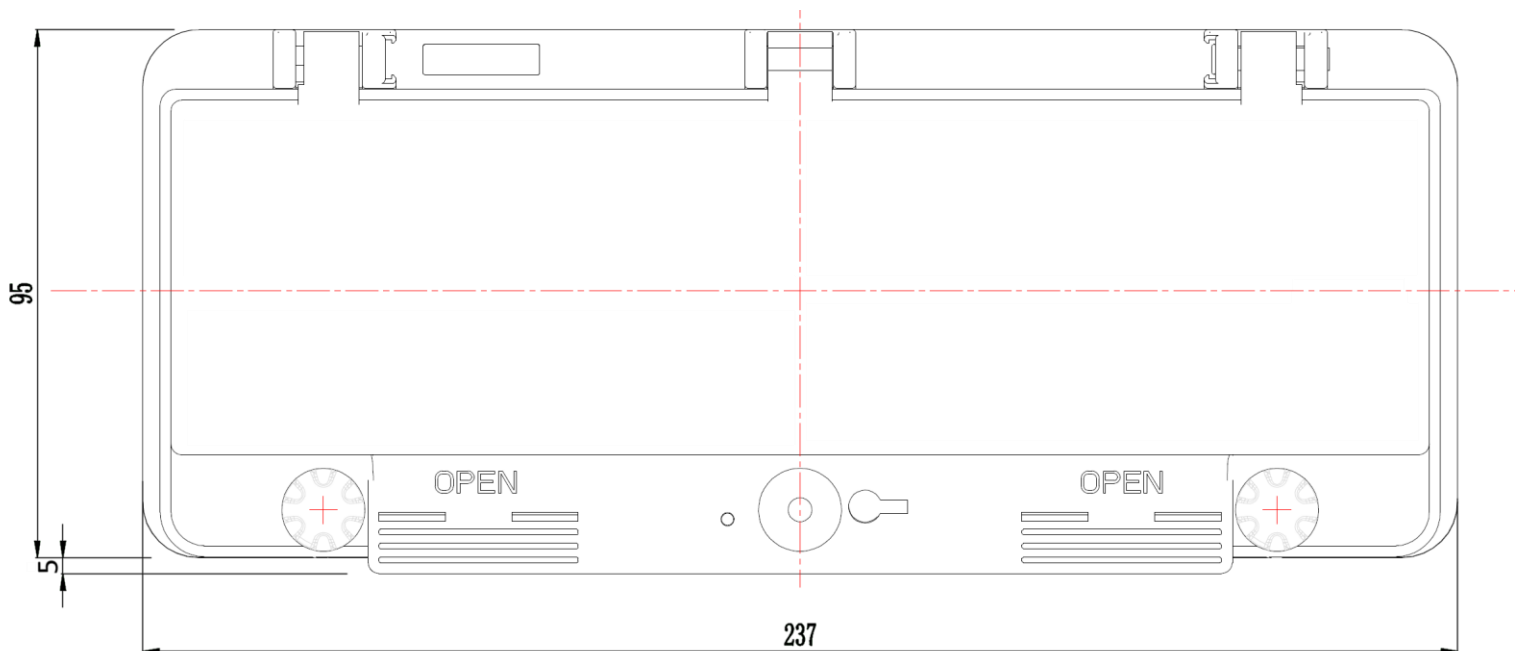
6 MODULE



8 MODULE



12 MODULE



13 MODULE

