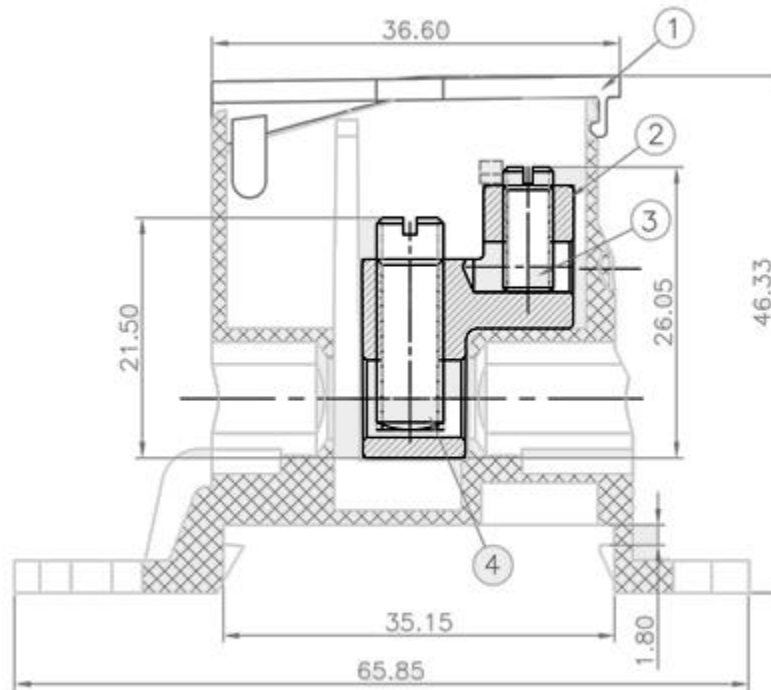


## TECHNICAL DATA: CP-UKK

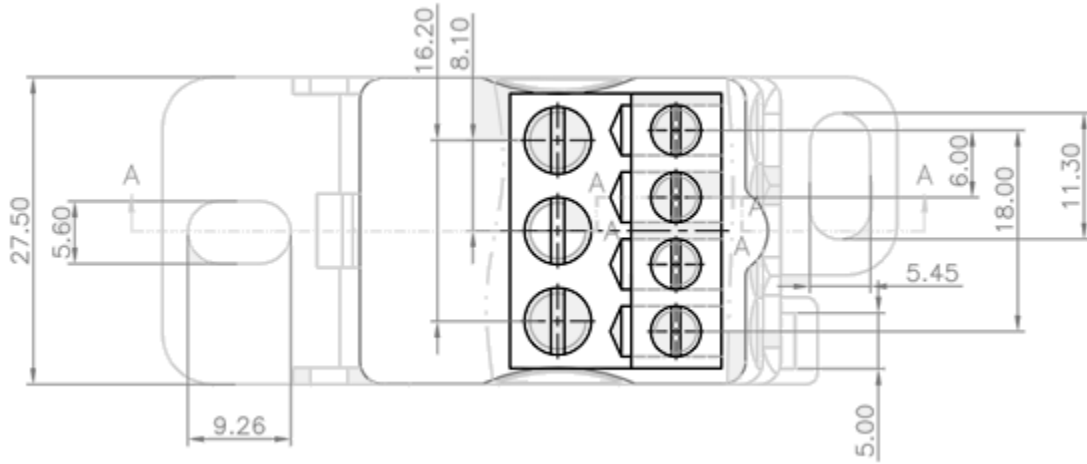
### CP-UKK-80A SINGLE POLE DISTRIBUTION TERMINAL BLOCK TECHNICAL DRAWING

#### SIDE VIEW

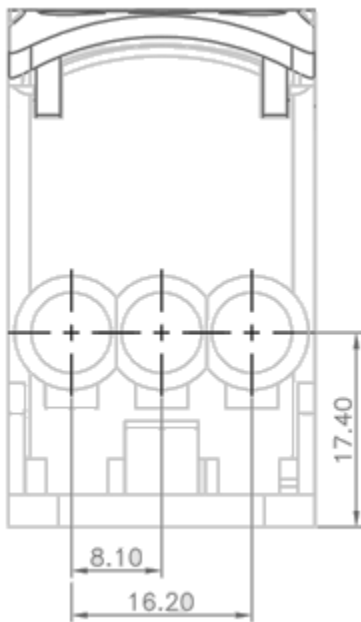
1	Cover
2	80A
3	80A M4.5
4	80A M6
5	160A M12



### TOP VIEW



### FRONTAL VIEW



### REAR VIEW

