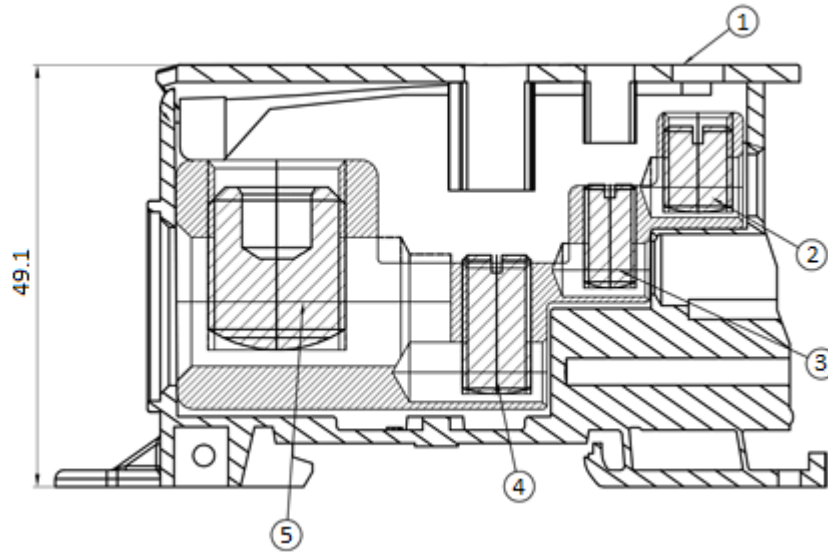


Technical Data: CP-UKK

CP-UKK-400A SINGLE POLE DISTRIBUTION TERMINAL BLOCK TECHNICAL DRAWING

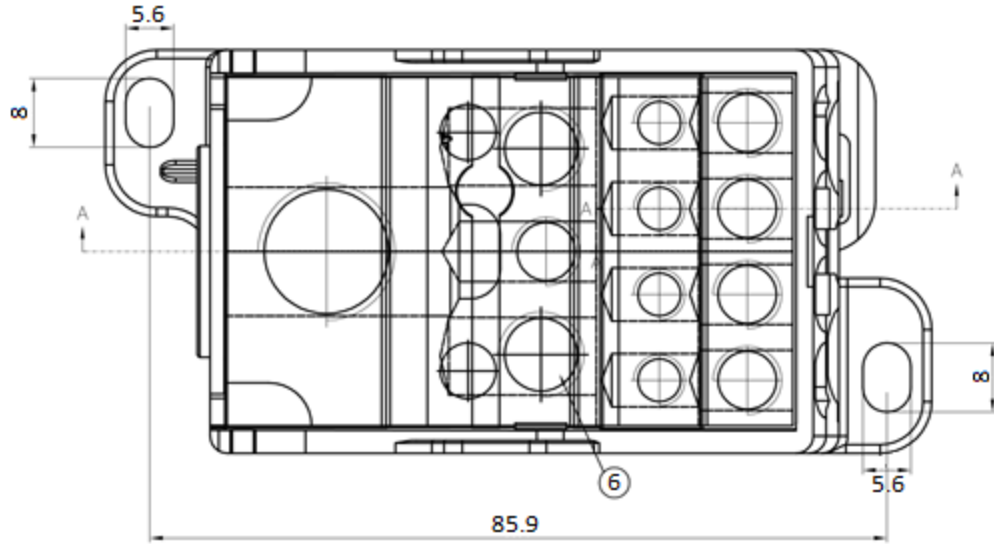
SIDE VIEW

1	Cover
2	M8 screw
3	M6 screw
4	M8 screw
5	M16 screw

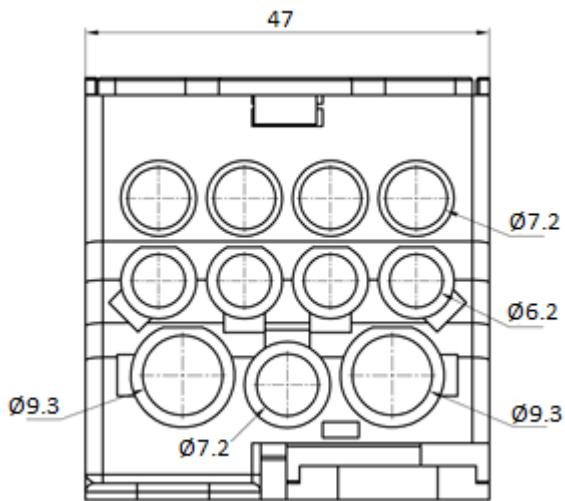


TOP VIEW

6 M10 screw



FRONTAL VIEW



REAR VIEW

