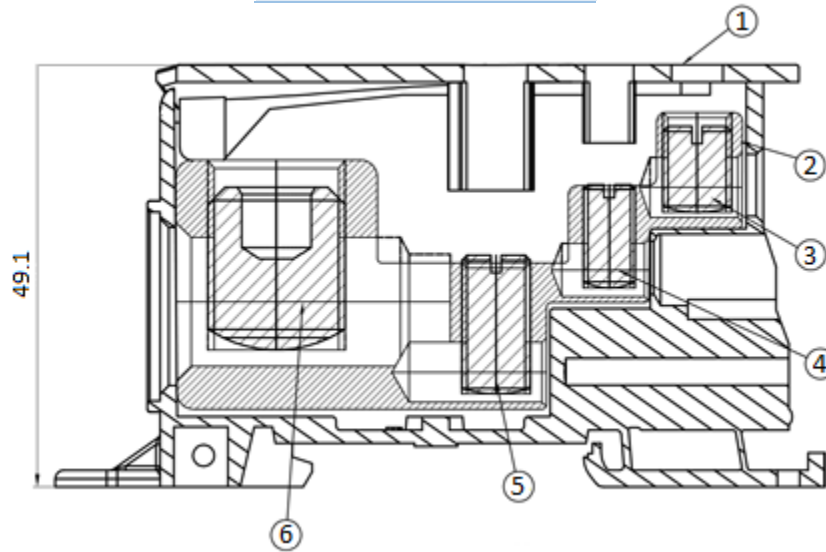


Technical Data: CP-UKK

CP-UKK-250A SINGLE POLE DISTRIBUTION TERMINAL BLOCK TECHNICAL DRAWING

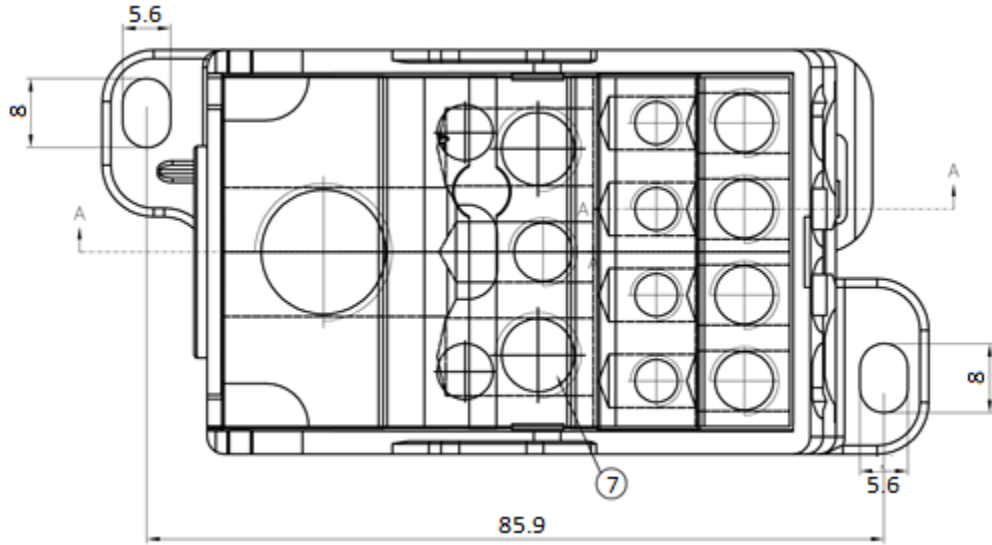
SIDE VIEW

1	Cover
2	250A
3	250A M8 screw
4	250A M6 screw
5	250A M8 screw
6	250A M16 screw

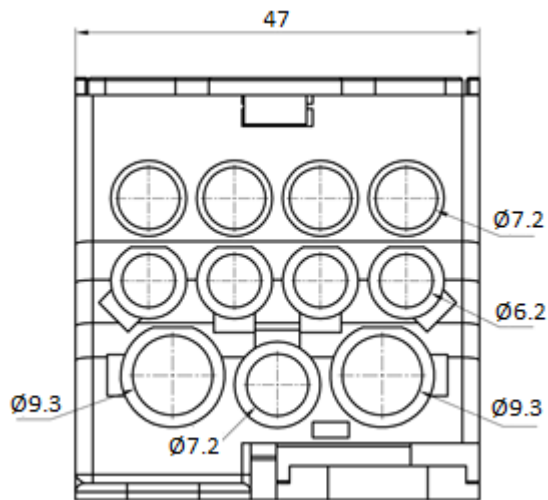


TOP VIEW

7 250A M10 screw



FRONTAL VIEW



REAR VIEW

