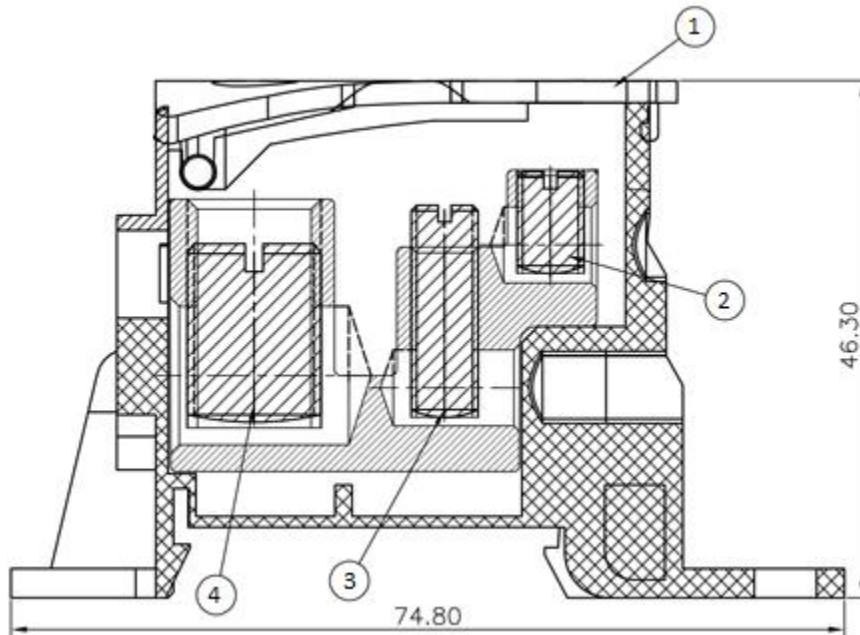


## Technical Data: CP-UKK

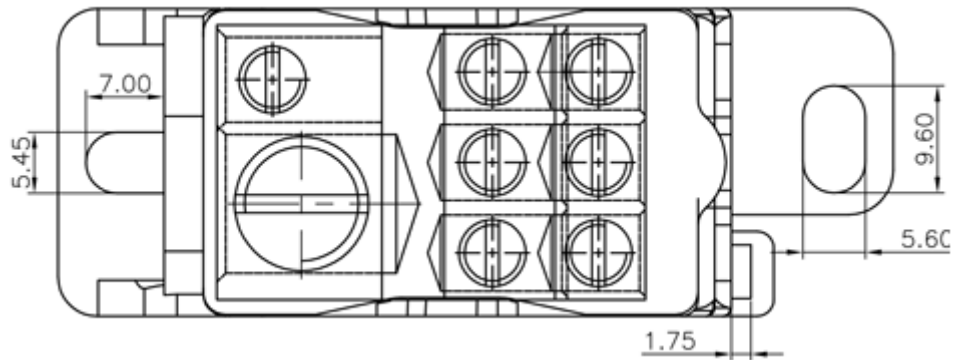
### CP-UKK-160A SINGLE POLE DISTRIBUTION TERMINAL BLOCK TECHNICAL DRAWING

#### SIDE VIEW

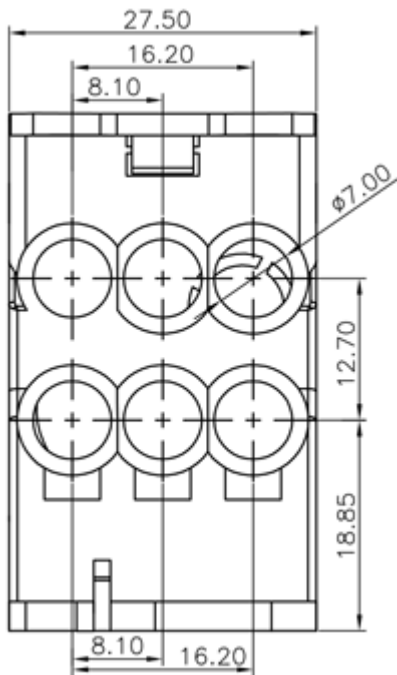
1	Cover
2	160A M6 screw
3	80A M6 screw
4	16A M12 screw



### TOP VIEW



### FRONTAL VIEW



### REAR VIEW

