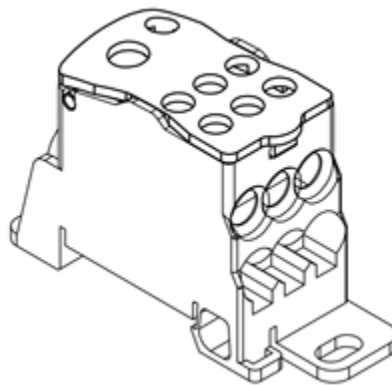
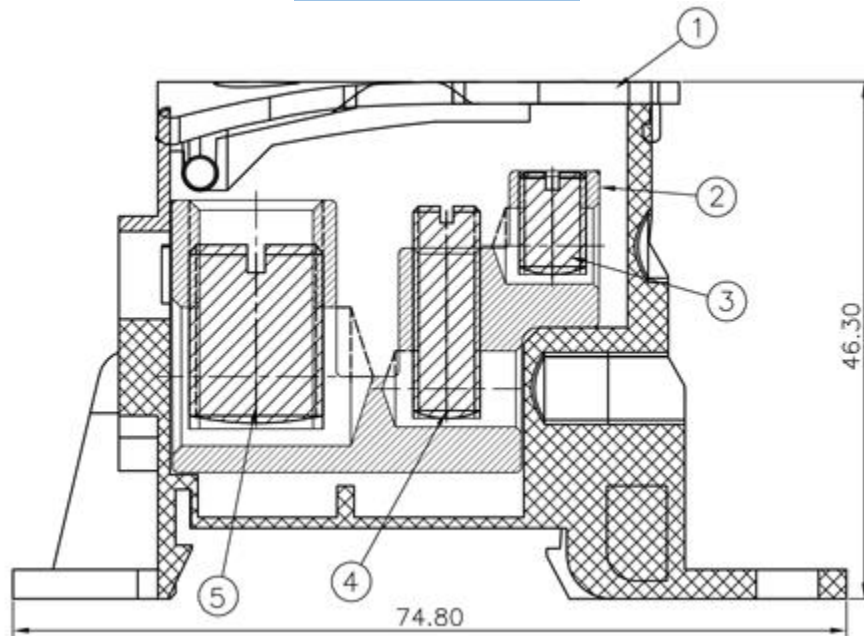


Technical Data: CP-UKK

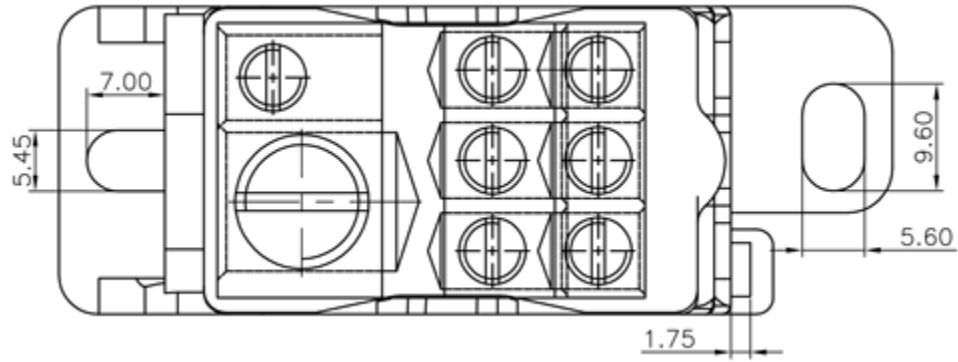
CP-UKK-125A SINGLE POLE DISTRIBUTION TERMINAL BLOCK TECHNICAL DRAWING

SIDE VIEW

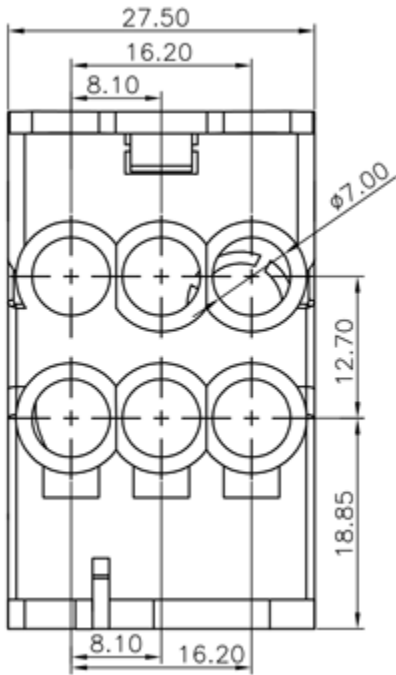
1	Cover
2	125A
3	160A M6
4	80A M6
5	160A M12



TOP VIEW



FRONTAL VIEW



REAR VIEW

