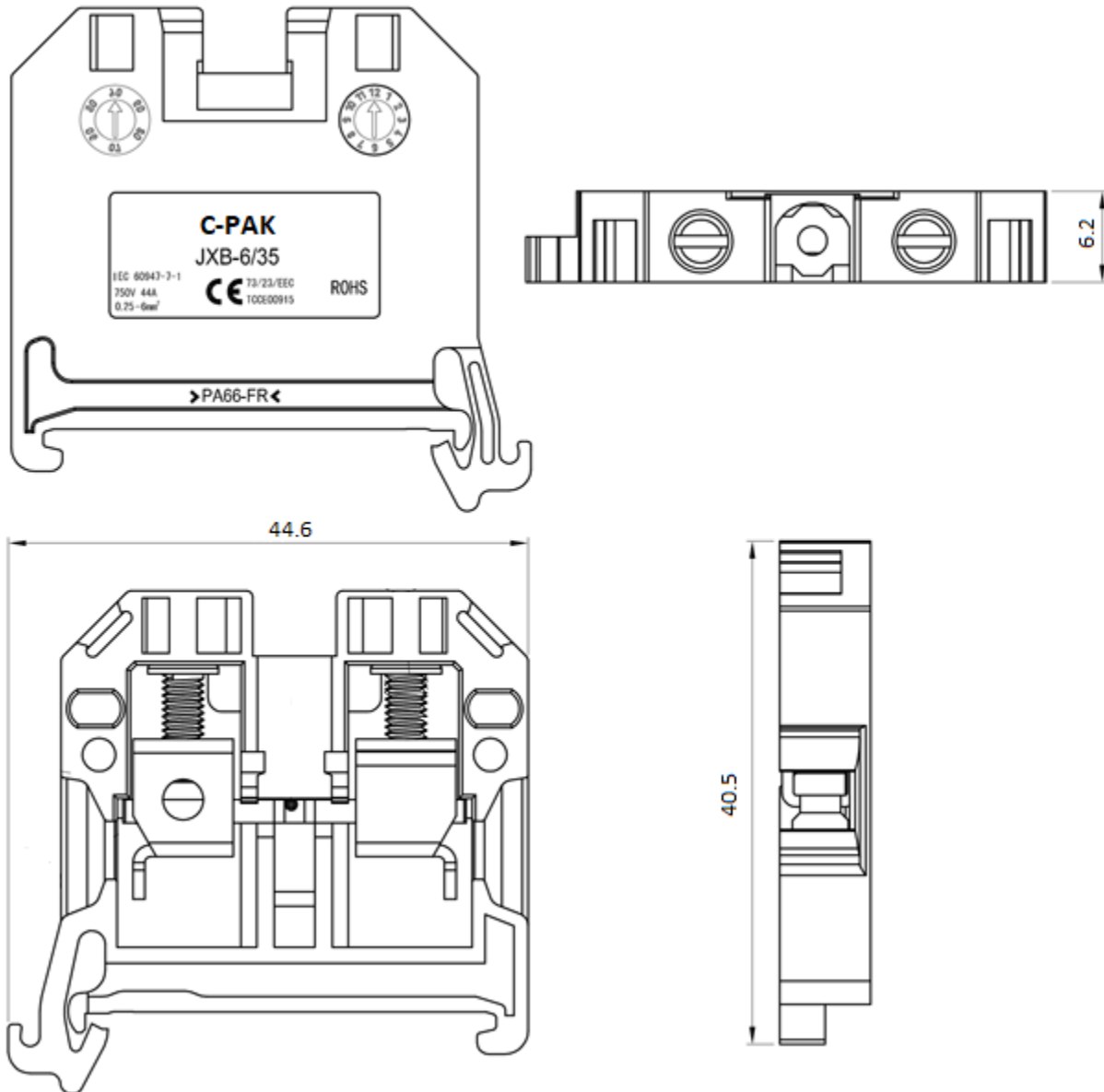


TECHNICAL DRAWING: JXB

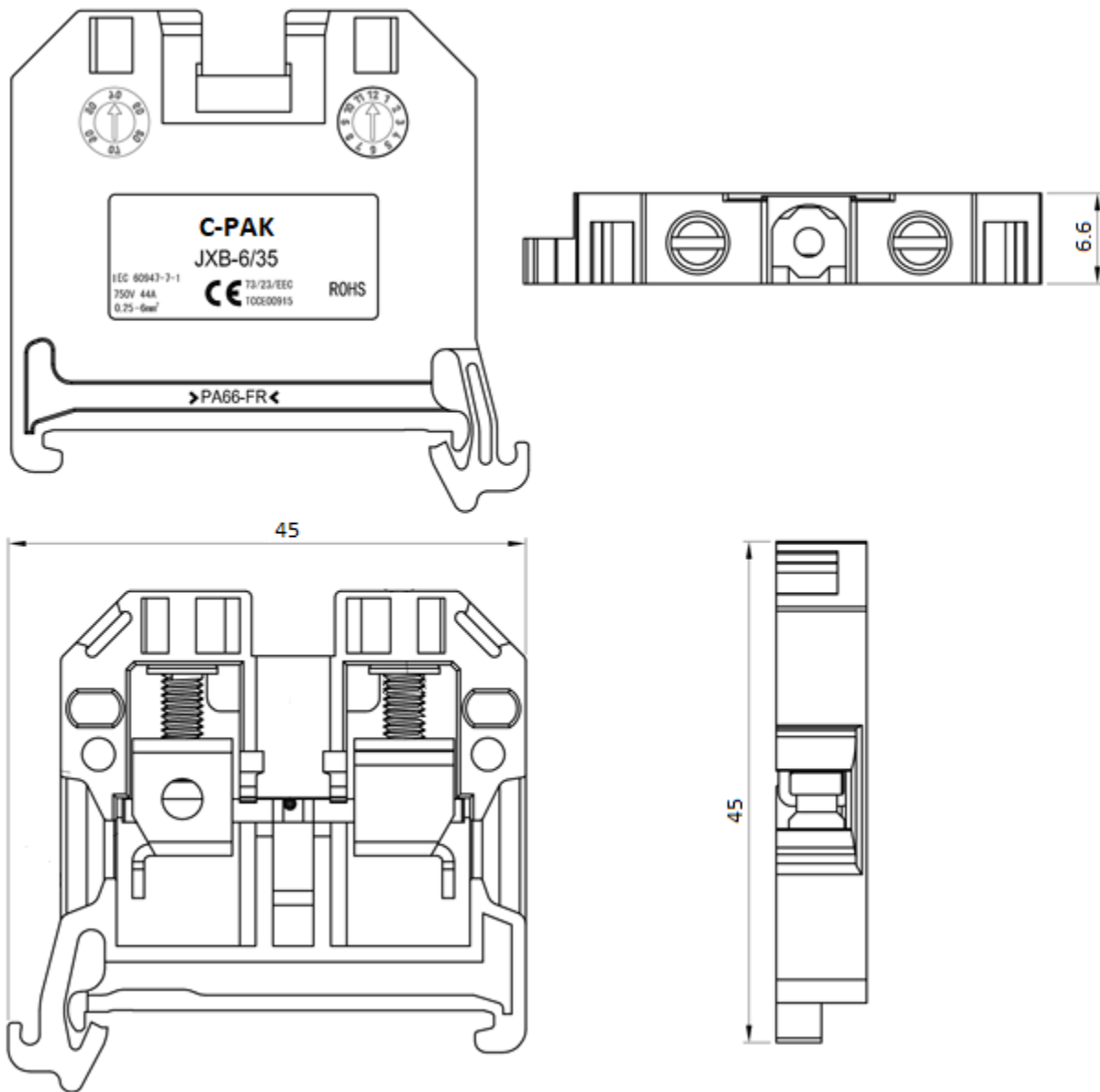
JXB DINRAIL MOUNTING TERMINAL TECHNICAL DATA

Product range	JXB
Standard	IEC 60947-7-7
Colour	Blue/grey
Material	PA66 (Nylon 66)
Mounting	35mm DIN rail
Inflammatory class	UL 94Vo
Connection type	Screw

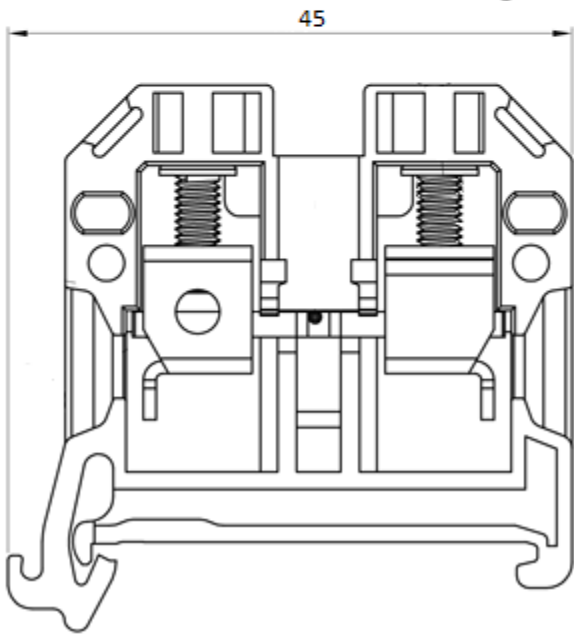
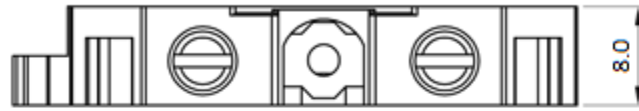
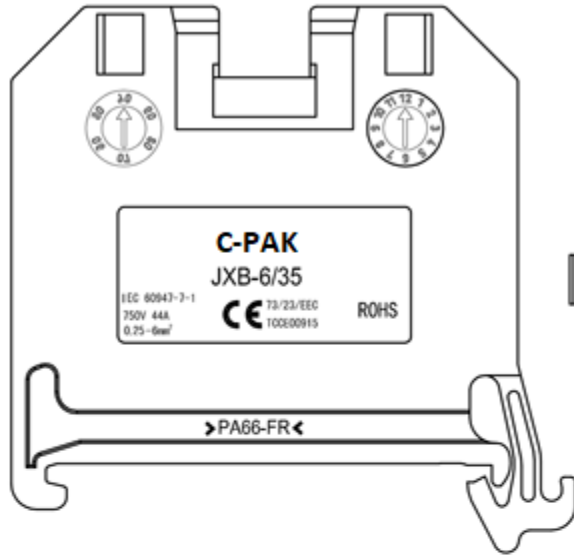
JXB 2.5/35



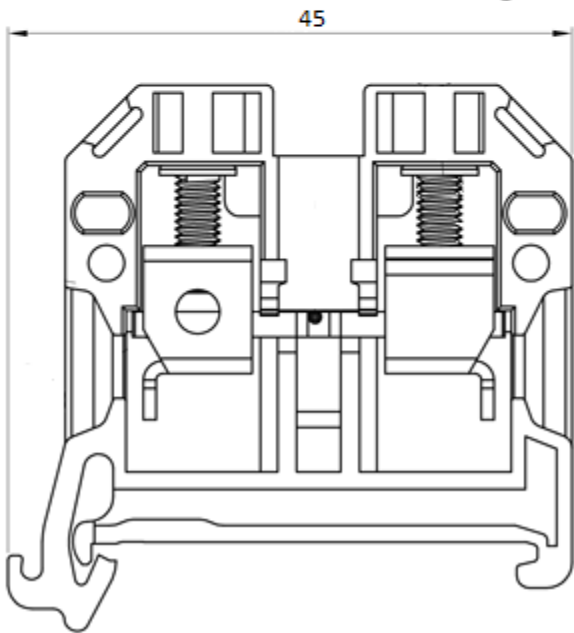
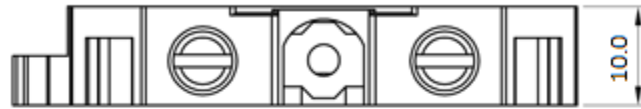
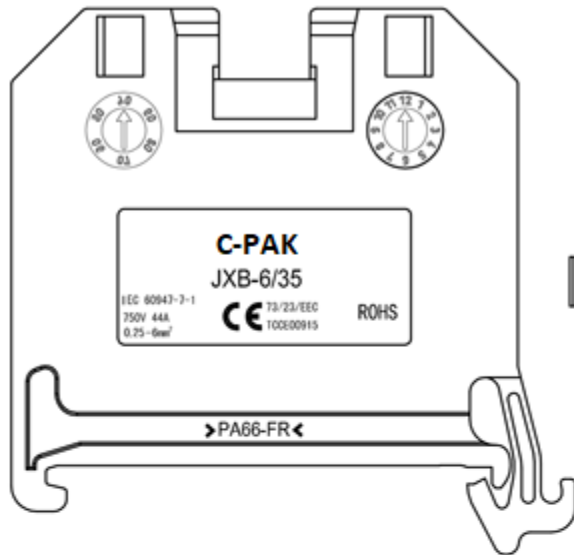
JXB 4/35



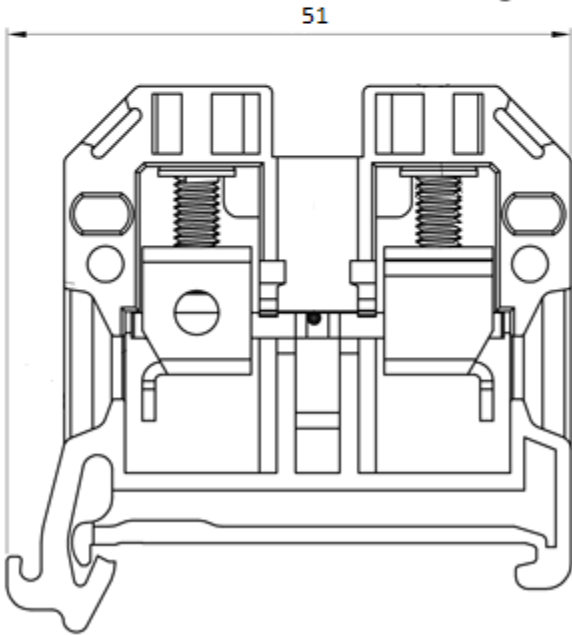
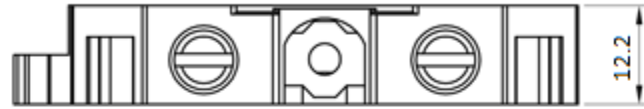
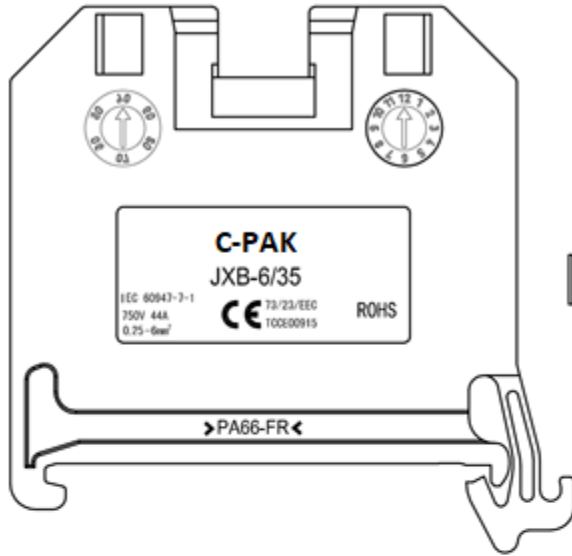
JXB 6/35



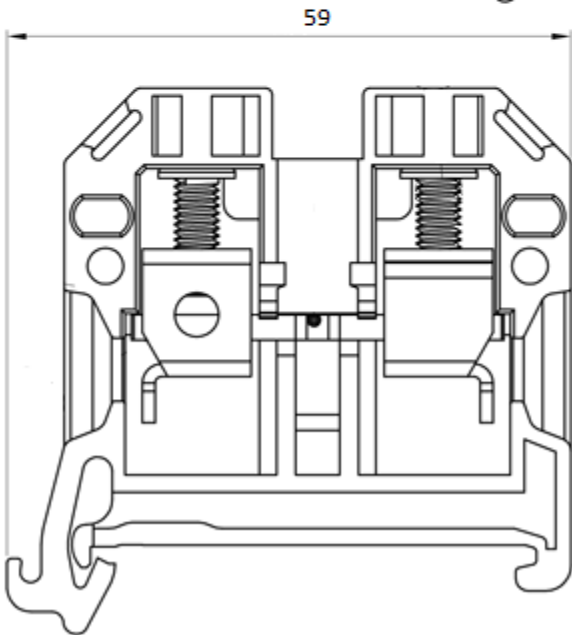
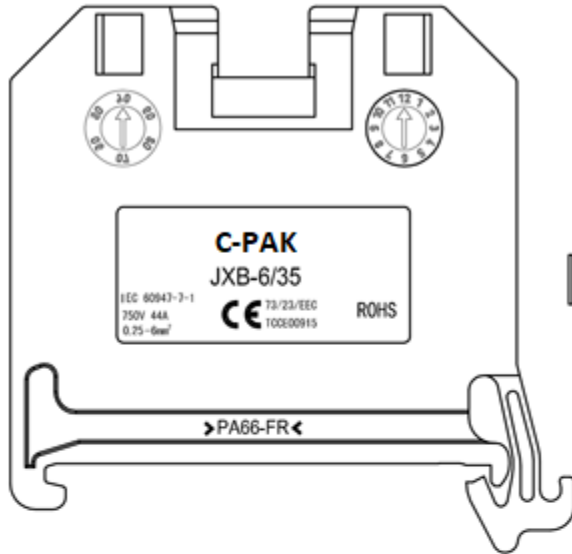
JXB 10/3



JXB 16/35



JXB 35/35



JXB 70/35

