



Product # 43191

Victorian - 61"

61" x 28 ³/₄" x 30 ³/₈"

Immersion depth: 12 ⁷/₈"

Finish

Interior: Smooth, high gloss acrylic

Exterior: Smooth, high gloss acrylic

Comes standard with factory installed chrome legs

Leg Upgrades

Brush Nickel (Part Number: #43990)

White (Part Number: #43992)

Black (Part Number: #43993)

Oiled Rubbed Bronze (Part Number: #43994)

allow 2-3 weeks for plating of the legs for finishes other than chrome

Accessories

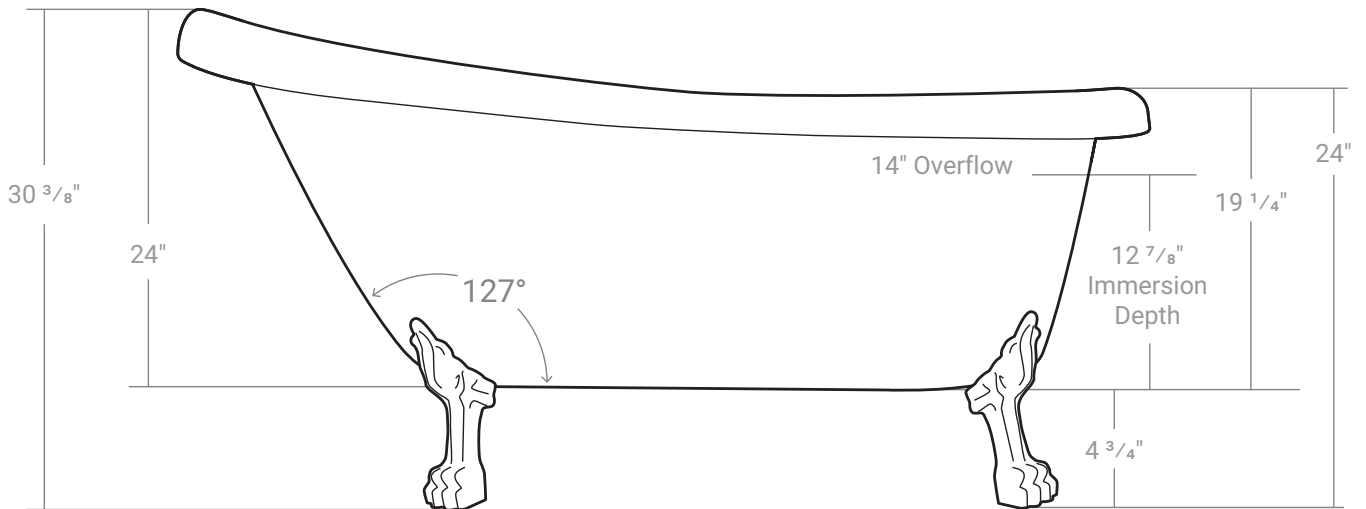
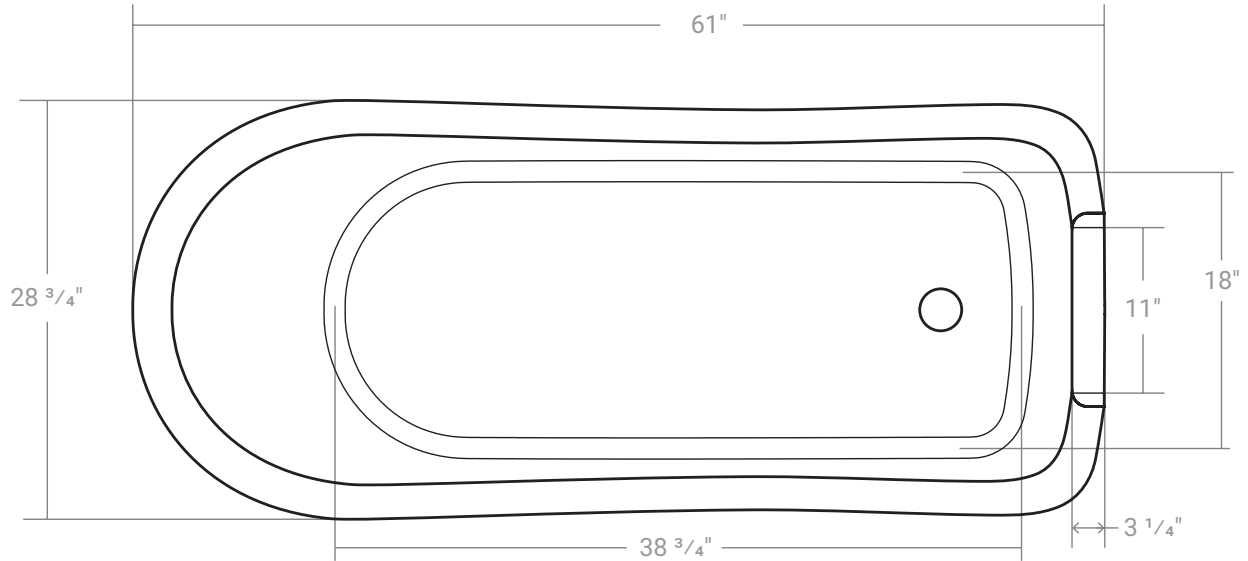
Chrome clicker (Part Number: #01076)

Chrome plug & chain (Part Number: #01074)

Brushed nickel plug & chain (Part Number: #01073)

Weight

38kg | 83lbs.



*All measurements are + 1/4"
*Drawings are not to scale

Acritec Industries Corp.

27049 Gloucester Way, Langley, B.C. V4W 3Y3

Tel : 604.607.0856 | Fax : 604.607.0857 | info@acritec.com | www.acritec.com

In keeping with our policy of continuing product improvement, Acritec Industries Corp. reserves the right to change product specifications without notice.