



**Triton**  
*Cast Iron Bathtub*



## Triton - 61"

Product #: 48020

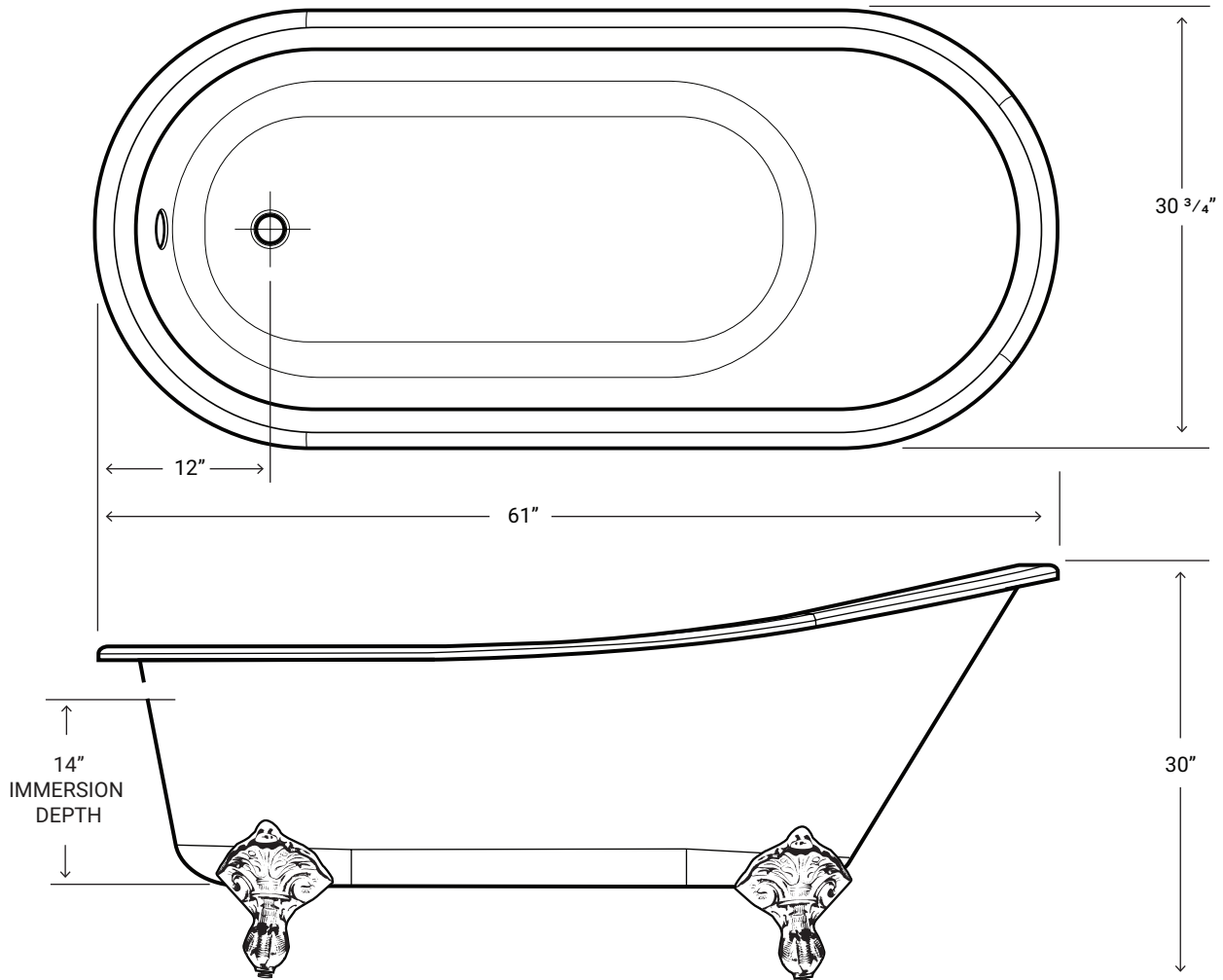
61" x 30 3/4" x 30"

### Design Features

- Cast Iron
- Oval interior
- Rolled edge for comfortably resting your neck while bathing
- Gently sloping backrest
- Filigree ball-and-claw feet
- Interior: White, porcelain enamel fired finish
- Exterior: hand finished white paint

### Product Specification

- Water Capacity ~ 45 US Gallons
- Weight: 243 lbs
- Immersion Depth: 14"
- 1 year limited manufacturer's warranty
- Faucets sold separately
- Certified to:  
ASME A112.19.1  
CSA B45.2-2013



*\*All measurements are + 1/4"*

*\*Drawings are not to scale*

**Acritec Industries Corp.**

27049 Gloucester Way, Langley, B.C. V4W 3Y3

Tel : 604.607.0856 | Fax : 604.607.0857 | [info@acritec.com](mailto:info@acritec.com) | [www.acritec.com](http://www.acritec.com)

*In keeping with our policy of continuing product improvement, Acritec Industries Corp. reserves the right to change product specifications without notice.*



## **Triton - 67"**

**Product #: 48022**

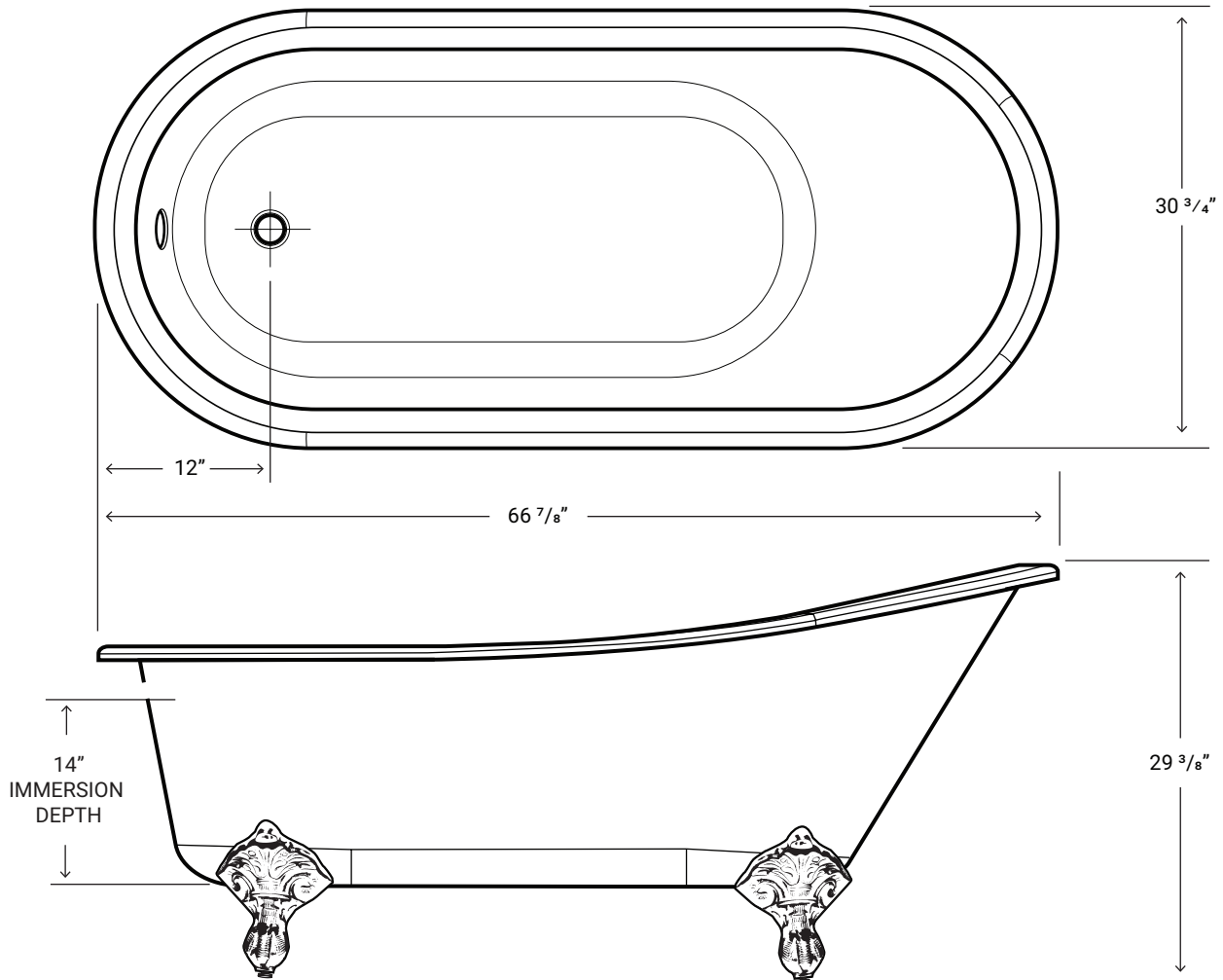
66 <sup>7</sup>/<sub>8</sub>" x 30 <sup>3</sup>/<sub>4</sub>" x 29 <sup>3</sup>/<sub>8</sub>"

### **Design Features**

- Cast Iron
- Oval interior
- Gently sloping backrest
- Filigree lion's paw feet
- Interior: White, porcelain enamel fired finish
- Exterior: hand finished white paint

### **Product Specification**

- Water Capacity ~ 50 US Gallons
- Weight: 290 lbs
- Immersion Depth: 14"
- 1 year limited manufacturer's warranty
- Faucets sold separately
- Certified to:  
ASME A112.19.1  
CSA B45.2-2013



*\*All measurements are + 1/4"*

*\*Drawings are not to scale*

**Acritec Industries Corp.**

27049 Gloucester Way, Langley, B.C. V4W 3Y3

Tel : 604.607.0856 | Fax : 604.607.0857 | info@acritec.com | www.acritec.com

*In keeping with our policy of continuing product improvement, Acritec Industries Corp. reserves the right to change product specifications without notice.*