

S



Scylla
Cast Iron Bathtub



Scylla

Product #: 48050

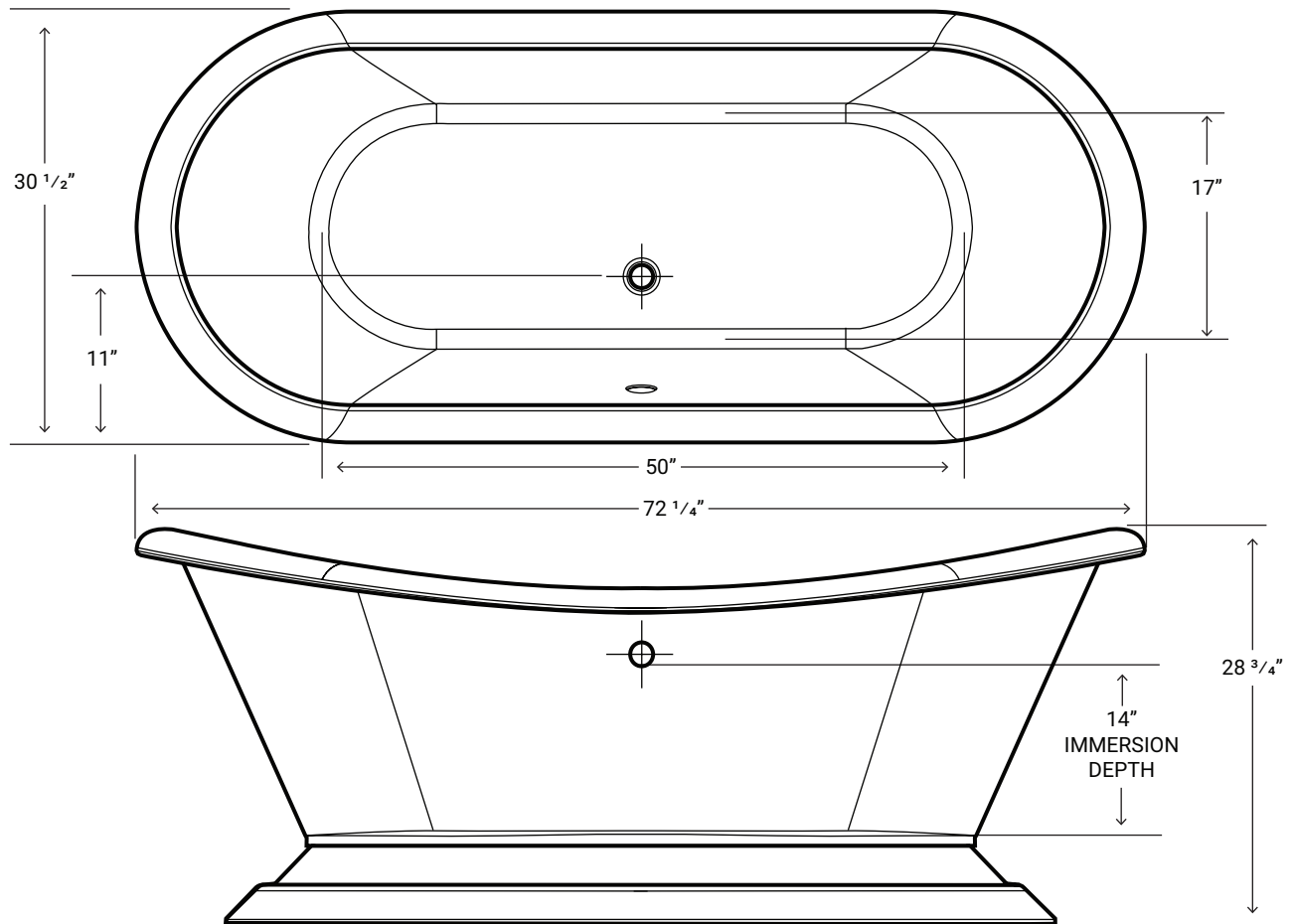
72 1/4" x 30 1/2" x 28 3/4"

Design Features

- Cast Iron
- Oval interior
- Plinth
- Gently sloping backrests
- Rolled edge for comfortably resting your neck while bathing
- Interior: White, porcelain enamel fired finish
- Exterior: hand finished white paint

Product Specification

- Water Capacity ~ 50 US Gallons
- Weight: 530 lbs
- Immersion Depth: 14"
- 1 year limited manufacturer's warranty
- Faucets & overflow sold separately
- Certified to:
ASME A112.19.1
CSA B45.2-2013



**All measurements are + 1/4"*

**Drawings are not to scale*

Acritec Industries Corp.

27049 Gloucester Way, Langley, B.C. V4W 3Y3

Tel : 604.607.0856 | Fax : 604.607.0857 | info@acritec.com | www.acritec.com

In keeping with our policy of continuing product improvement, Acritec Industries Corp. reserves the right to change product specifications without notice.