

INSTRUCTION MANUAL

ICE MAKER



Item no: Z3912-SILVER

Model no: ICM1241

THANK YOU FOR CHOOSING OUR ICE MAKER
PLEASE READ THE MANUAL CAREFULLY BEFORE OPERATING

IMPORTANT NOTICES

When using an electrical appliance, please follow the following safety precautions to reduce the risk of fire, electric shock, and injury:

1. Read all instructions before using.
2. Remove all packing material and carefully check your ice maker to ensure that it is in good condition and that there is no damage to the ice maker, power cord, and plug.
3. The first use should take place after the ice maker is placed appropriately and the transparent lid has been open for at least two hours.
4. Pure water is not allowed to be used on this unit; instead, spring water is recommended.
5. Ensure that the voltage corresponds to the voltage range stated on the rating label, and that the plug is connected to an earthed socket.
6. If the power supply cord is damaged, it must be replaced by the manufacturer, its service agent, or a similarly qualified person to avoid a hazard.
7. Do not invert the icemaker, and do not tilt it at an angle greater than 45 degrees.
8. To avoid the risk of electric shock, do not pour water on the cord, plug, and ventilation. Do not immerse the appliance in water or any other liquids.
9. Unplug the appliance before cleaning and after using.
10. Keep the appliance at least three inches from other objects to ensure safe, efficient heating.
11. Do not use the accessories which the manufacturer does not recommend.
12. This appliance is not intended for use by persons (including children) with reduced physical, sensory or mental capabilities, or lack of experience and knowledge, unless they have been given supervision or instruction concerning the safe use of the

appliance. Children should be supervised to ensure that they do not play with the appliance.

13. Do not use the appliance close to flames, hot plates, or stoves.
14. Do not frequently switch on the power button (at least five minutes in between) to avoid damage to the compressor.
15. Metal sheets or other electric objects cannot be inserted into the appliance to avoid fire and short circuits.
16. Do not use the product outdoors.
17. Never clean the product with detergents or stiff instruments.
18. Please keep this instruction manual for future reference.
19. Warning: do not store explosive substances, such as aerosol cans with flammable propellants in this appliance.
20. This appliance is intended to be used in household and similar applications such as
 - staff kitchens in shops, offices, and other working environments;
 - farmhouses and by clients in hotels, motels, and other residential type environments;
 - bed and breakfast type environments;
 - catering and similar non-retail applications
21. When positioning the appliance, ensure the power supply cord is not trapped or damaged.
22. Do not locate multiple portable socket outlets or portable power supplies at the rear of the appliance.
23. The refrigerant and insulation blowing gas are flammable. When disposing of the appliance, do so only at an authorized waste disposal center. Do not expose to flame.



This symbol indicates the refrigerant R600a and the non-metallic materials of the appliance are flammable. It's a warning symbol. Warning: Risk of fire / flammable materials.



WARNING: When positioning the appliance, ensure the power supply cord is not trapped or damaged.

WARNING: Do not locate multiple portable socket-outlets or portable power supplies at the rear of the appliance.

Children should be supervised to ensure that they do not play with the appliance.

To avoid contamination of food, please follow the following instructions:

- Opening the door for a long time can cause a significant increase in the temperature in the compartments of the appliance.
- Clean the surfaces regularly that can come in contact with food and accessible drainage systems.
- Clean water tanks if they have not been used for 48 hours; flush the water system connected to a water supply if water has not been drawn for five days.
- If the refrigerating appliance is left empty for long periods, switch off, defrost, clean, dry, and leave the door open to prevent molds from growing within the appliance.

Please refer to the paragraphs below to know the methods of using the appliance.

SPECIFICATIONS

Model No: ICM1241

Daily ice output: 12kg/24 hours

Ice storage capacity: 1.5L/600g

Refrigerant: R600a

Compression-type refrigeration: 120V/60Hz

Water tank capacity: 1.5 L

Voltage: 120V

Frequency: 60 Hz

Power consumption: 120 W

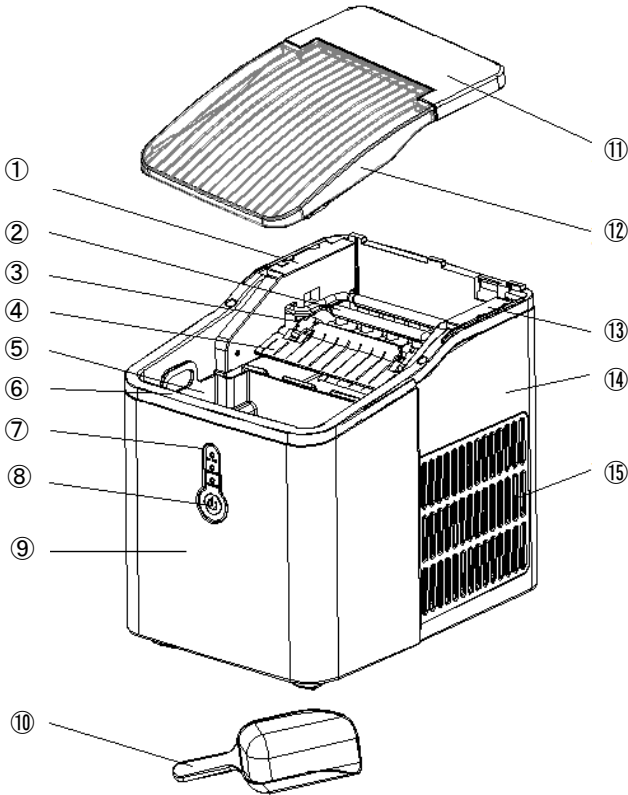
Max overall dimensions (L×W×H): 320X 225X300mm

Packing dimensions (L×W×H): 354X 270X 335mm

N.W: 7.75kg

G.W: 8.6kg

DESCRIPTION



1. Micro switch support

2. Evaporator

3. Water Tray

4. Ice shovel board

5. Ice collecting tray

6. Water box

7. Control panel

8. Buttons

9. Front housing

10. Ice shovel

11. Top cover

12. Transparent lid

13. Motor Mount

14. Back housing

15. Air vent

PACKING LIST		
No.	Description	Quantity
1	Ice shovel	1pc
2	Ice collecting tray	1pc
3	User manual	1pc
4	polybag	1pc
5	Bubble	2pc

FEATURE

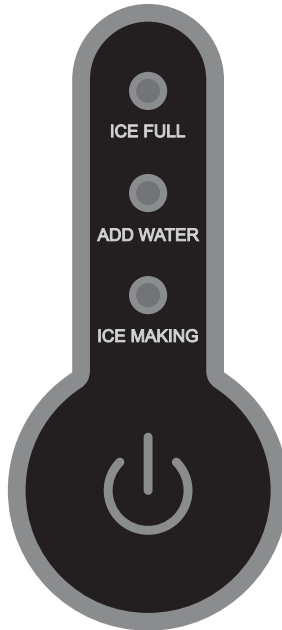
- ✧ Quick ice making
- ✧ Prompt when the ice is full, and water is insufficient
- ✧ Bullet ice
- ✧ Nine pcs ice can be made in eight minutes



WARNING

1. During transportation, do not tilt the machine more than 45 degrees or reverse the machine, which may damage the compressor and the sealing system.
2. Remove all packing materials, check the machine carefully, and make sure that the machine, power cord, and plug are normal.
3. The machine should be on a level surface. To ensure sufficient ventilation, the distance of the back of the ice maker to the wall should be at least six inches. It also should be away from the oven, radiator, or other heat sources.
4. Before using the machine for the first time, place the machine appropriately and leave the transparent cover open for at least two hours.
5. Make sure that the home voltage is consistent with the voltage indicated by the machine.
6. Distilled water is not allowed. Mineral water is recommended.

CONTROL PANEL OPERATION



ICE FULL: Ice full alarm

ADD WATER: Water shortage alarm

ICE MAKING: Ice making

1). When plugged in, the "ICE MAKING" indicator flashes. Once the power button is pressed, the "ICE MAKING" indicator is always on, and then the ice maker makes ice blocks automatically. After the ice-making process completes, the deicing process starts, and then the ice-shoveling function kicks in. The process repeats continuously.

2). ADD WATER: water shortage alarm

When the "ADD WATER" light turns red, there is a water shortage in the water tank. You need to add water and press the power button to restart the machine.

3). ICE FULL: Ice full alarm

When the ice reaches the maximum capacity of the ice storage container, the "ICE FULL" light flashes, and the machine stops. At this time, the ice needs to be poured out. When the ice position is lower than the full sensor position, the machine restarts automatically.

4). ICE MAKING: Ice making

When this light is always on, it means that the ice maker is producing ice.

OPERATING INSTRUCTIONS

Step 1

Open the lid, take out the basket, and add water to the reservoir. Note: There is a full-scale MAX in the reservoir. The water should not exceed the MAX position. If the water exceeds the full-scale MAX, you need to open the bottom drain plug, release the excessive water, and cover it with the transparent cover.

Step 2

Plug in the ice maker and press the power button to start the machine.



CAUTION

1. The shape of the ice produced in the first three cycles is relatively smaller and irregular.
2. When the ice basket is full, please take out the ice immediately. Do

not let the ice overflow the ice basket.

CLEANING & USE GUIDANCE

1. Clean the inner liner, ice collecting tray, water box, ice shovel, and evaporator frequently. When cleaning, unplug the unit and remove the ice cubes. Use a diluted solution of water and vinegar to clean the inside and the outside surfaces of the ice maker. Do not spray Ice maker with chemicals or diluted agents, such as acids, gasoline, or oil. Rinse thoroughly before starting.
2. Allow enough room around the ice maker for adequate ventilation. Do not use mechanical devices or other means not recommended by the manufacturer to accelerate the defrosting process.
3. After the machine has been standing idle for a long period of time, the restart may trigger the air blockage inside the pump and causes the pump to draw insufficient water, followed by the flashing of water shortage indicator "ADD WATER." Under such circumstances, press the power button and start the ice maker again.
4. To ensure the cleanness of ice, please change the water at least once a day. If the ice maker is not used for a long time, please drain the water and clean it up.
5. Several reasons can trigger compressor protection which normally lasts three minutes. These reasons include but not limited to the shortage of water, the overflow of ice, or power failure.
6. Always use fresh water before starting ice production, either at initial installation or after a long shut-off period.

TROUBLESHOOTING

1. Please note: if a power failure occurs due to the disconnection of the power cord, or the power button has been switched off during an ice-making cycle, small ice chips may be formed and lodge in the automatic shovel causing it to jam. The ice chips can be removed by carrying out the following steps: first, disconnect the power cord; next, gently push the shovel to the rear of the cabinet; finally, restart the ice maker.
2. Please check if the water reservoir is flat when the ice shovel can not remove the ice from the ice basket. If not, please push the ice shovel gently by finger, then press the POWER button to restart.

PROBLEM	POSSIBLE CAUSE	SUGGESTED SOLUTIONS
The compressor works abnormally with a buzzing noise	The voltage is lower than recommended	Stop the ice maker and do not restart until the voltage is normal.
Water shortage indicator light is on	1. There is no water 2. The pump is full of air	1. Add to some water until it reaches MAX position 2. Press POWER button to restart
Indicator lights on display are not on	Blown fuse/ No power	Replace fuse / Turn power on
The Ice made is too large and with pieces sticking together.	Ice of previous cycles left in the water tray	Take out the ice under the STANDBY mode.
The ice making process was correct, but no ice came out?	1. The compressor has no refrigerant 2. Compressor damaged	Call the service hotline

	3. Fan motor damaged	
All indicators twinkle simultaneously	1. Water tray is blocked by ice cube 2. The motor is stuck, or the motor falls off, or the motor is damaged 3. Micro switch damaged	Unplug the power to take out the ice which blocking the tray, then plug the power and press the POWER button, the machine will restart 3mins later.
The machine has been working, but the water has been warming	Solenoid broke down	Replace the solenoid valve
When the ice is full, the machine does not display the ICE FULL Icon	1. Ice full sensor damaged 2. Solar light interference	1. Replace the ice full sensor 2. Making ice indoor 3. Call the service hotline

WARNING

1. If the power cord is damaged, it must be replaced by the manufacturer, its service agent, or a similarly qualified person to avoid a hazard.
2. Fill with potable water only.
3. In normal circumstances, the surfaces of the compressor and the condenser can reach between 158° and 194°F, hence the higher temperature of the immediate surroundings.
4. Due to fast freezing, ice cubes may be opaque. This is because of the air trapped in the water, which does not affect the quality or the taste of the ice.
5. This appliance is not intended for use by persons (including children) with reduced physical, sensory or mental capabilities or lack of experience and knowledge unless they have been given supervision or instruction concerning the safe use of the appliance.

6. Children should be supervised to ensure that they do not play with the appliance.
7. Do not immerse the ice maker in water.

Correct Disposal of this product



This marking indicates that this product should not be disposed of with other household wastes. To prevent possible harm to the environment or human health from uncontrolled waste disposal, recycle it responsibly to promote the sustainable reuse of material resources. Please use the return and collection systems or contact the retailer where the product was purchased to return your used device. They can take this product for environmentally-friendly recycling.

Thank you for purchasing this product! If you have any questions about the product, such as missing parts, damaged products, product assembling, and operation, please contact us via **Amazon Message** or customer service number: **213-4467172 or 661-4358826**

IMPORTANT

Please call our customer service department for any consulting:

213-4467172

661-4358826

(8:30am - 5:30pm P.S.T.)

DATED PROOF OF PURCHASE IS REQUIRED FOR WARRANTY SERVICE.

AVIS

Veillez appeler le service à la clientèle pour toutes questions au:

213-4467172

661-4358826

(8:30am - 5:30pm P.S.T.)

PREUVE D'ACHAT ORIGINALE REQUISE POUR SERVICE DE GARANTIE.

IMPORTANTE

Sólo hay que llamar nuestro departamento de servicio al cliente en caso de tener preguntas o inquietudes:

213-4467172

661-4358826

(8:30am - 5:30pm P.S.T.)

SE REQUIERE PRUEBA DE COMPRA CON FECHA PARA SERVICIO BAJO GARANTÍA.

Address : 9733 Topanga Canyon Blvd. APT310, Chatsworth, CA 91311

Phone: 213-4467172 or 661-4358826