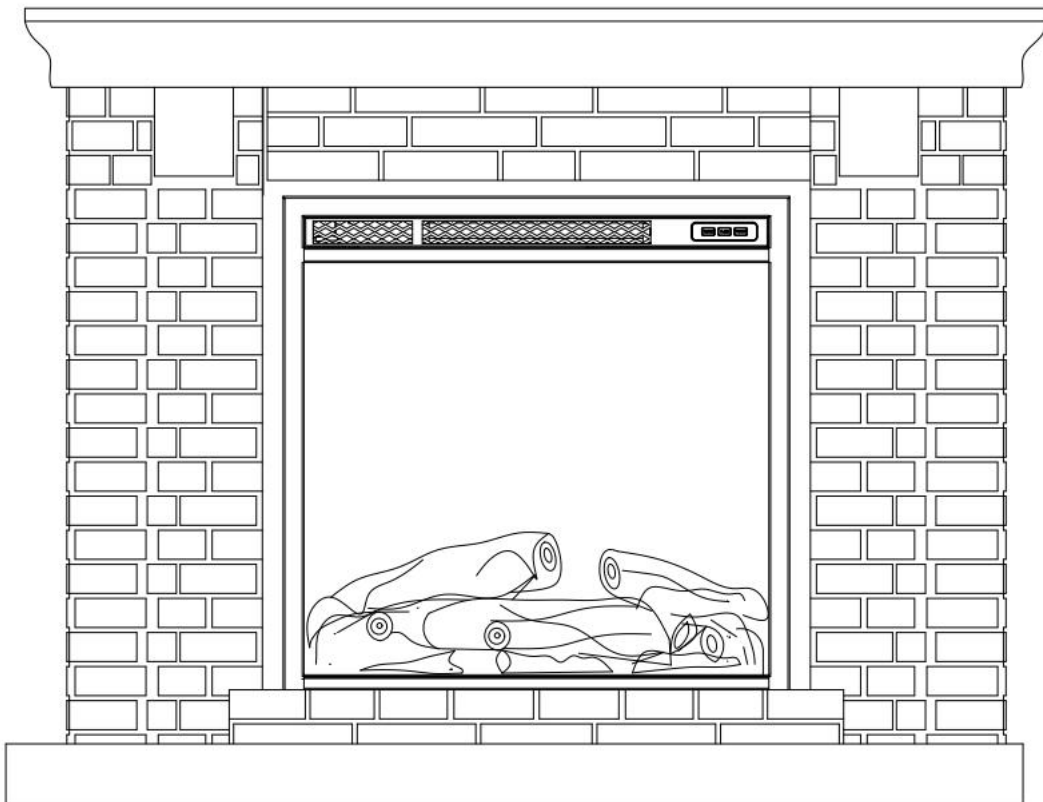


IMPORTANT INSTRUCTIONS AND OPERATING MANUAL

ELECTRIC FIREPLACE



Y4926

THIS INSTRUCTION BOOKLET CONTAINS IMPORTANT SAFETY INFORMATION. PLEASE READ AND KEEP FOR FUTURE REFERENCE.

Do Not Return This Product!

Contact our customer service team for help first.

Call: 213-4467172

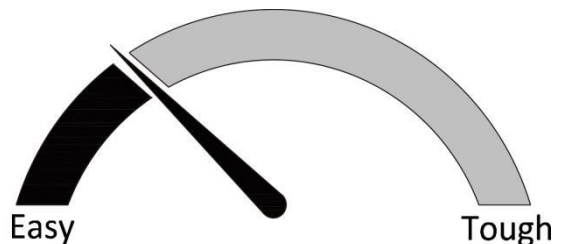
Monday - Sunday 8:30 am - 5:30 pm E.S.T

9733 Topanga Canyon Blvd. APT310, Chatsworth, CA 91311



WARNING

- Unit can tip over causing severe injury or death.
- Anchor unit to stud in wall (if instructed to).
- Do Not allow children to climb on unit.
- Put heavy items on lower shelves or drawers.



Assembly Difficulty Meter

CERTIFIED UNDER CANADIAN AND
AMERICAN NATIONAL STANDARDS: ETL



Contact Us !

DO NOT RETURN THIS PRODUCT!

Contact our friendly customer service team first for help.

Call: 213-4467172

Or 661-4358826

(8:30 am - 5:30 pm E.S.T)

DATED PROOF OF PURCHASE REQUIRED FOR WARRANTY SERVICE.

[Helpful Hints]

PEOPLE NEEDED FOR ASSEMBLY: 1-2
ESTIMATED ASSEMBLY TIME: 1 HOUR

-Open your item in the area you plan to keep it to avoid excessive heavy lifting.



-Identify, sort and count the parts before attempting assembly.



-Make sure to always face the point on the top of the Cam Lock towards the outer edge.



-Use all the nails provided for the back panel and spread them out equally.



-Back panel must be used to make sure your unit is sturdy.

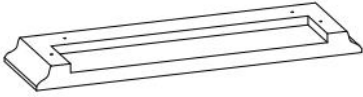


-Do NOT use harsh chemical or abrasive cleaner on this item.

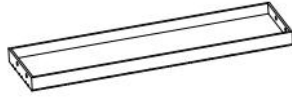
-Never push, pull, or drag your furniture.



PACKING LIST



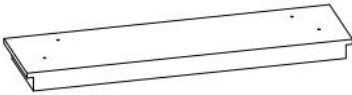
A
Top Panel



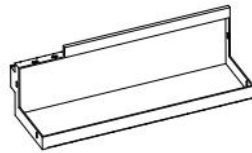
B
Upper Front Panel



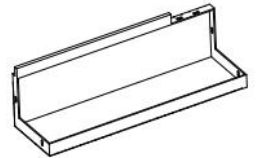
C
Support Panel



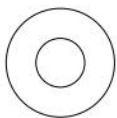
D
Bottom Panel



E
Right Side Panel



F
Left Side Panel



AAX16



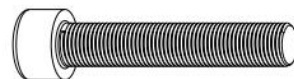
BBX4



CCX8



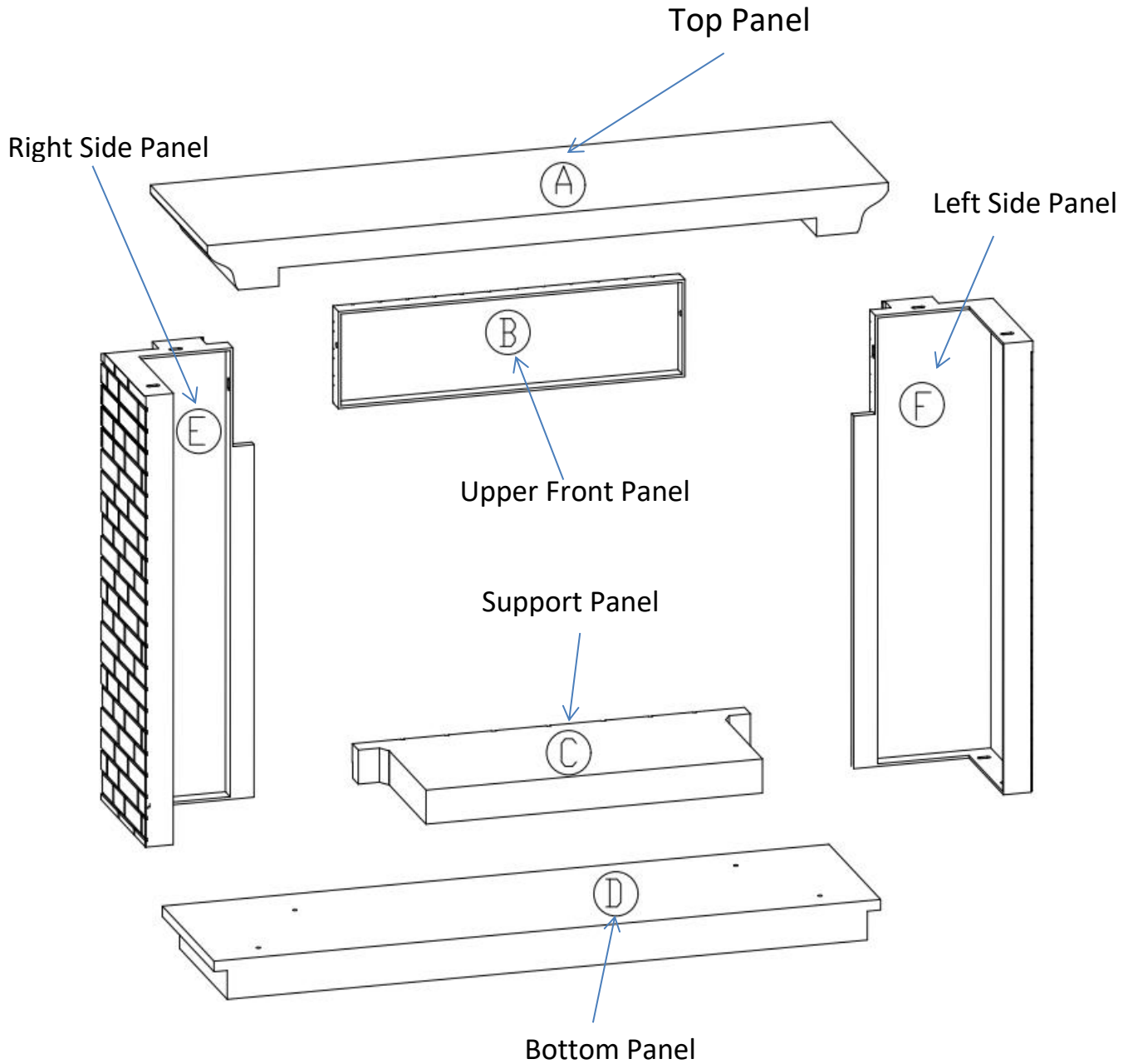
DDX1



EEX4

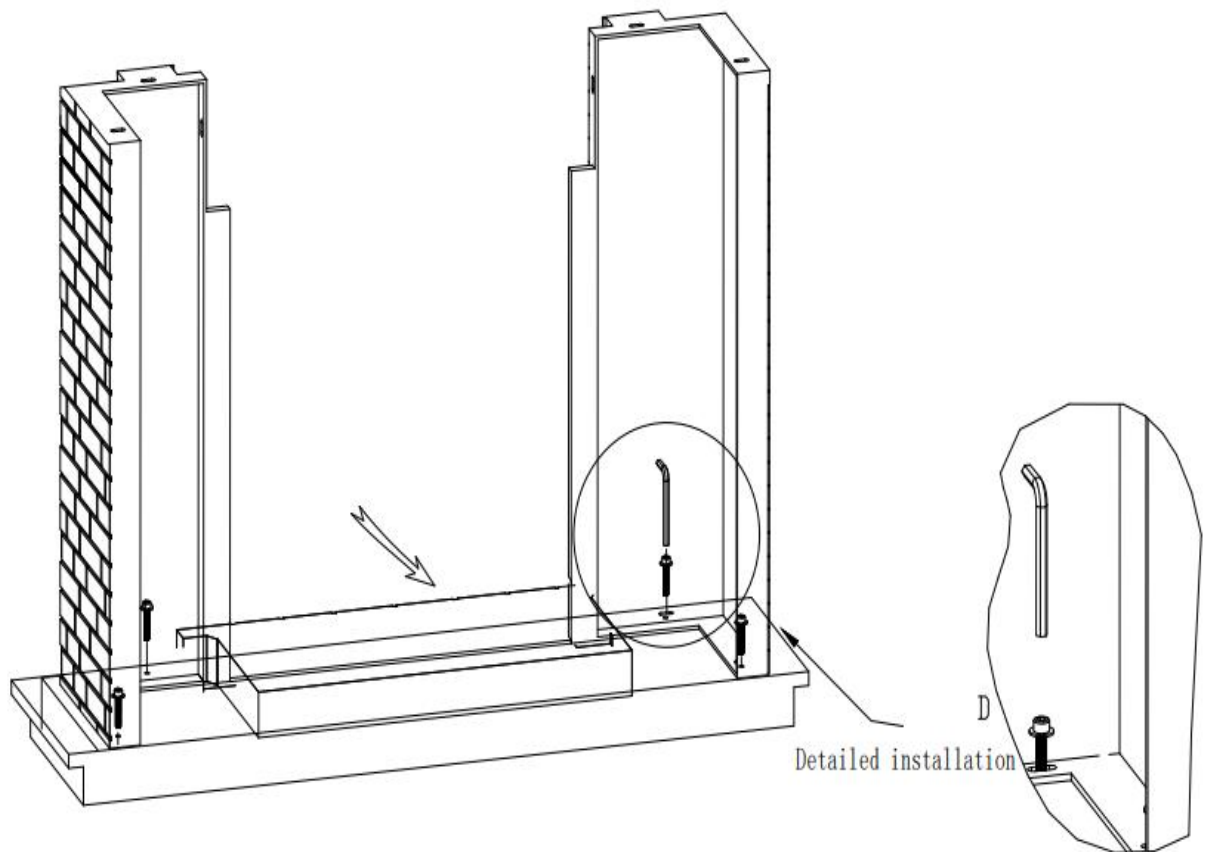
ASSEMBLY

Before installing this fireplace, please read the following steps carefully.



STEP 1:

Install the two side panels and bottom front panel onto the support panel with hexagon wrench as shown in the picture.



AAX4



BBX4

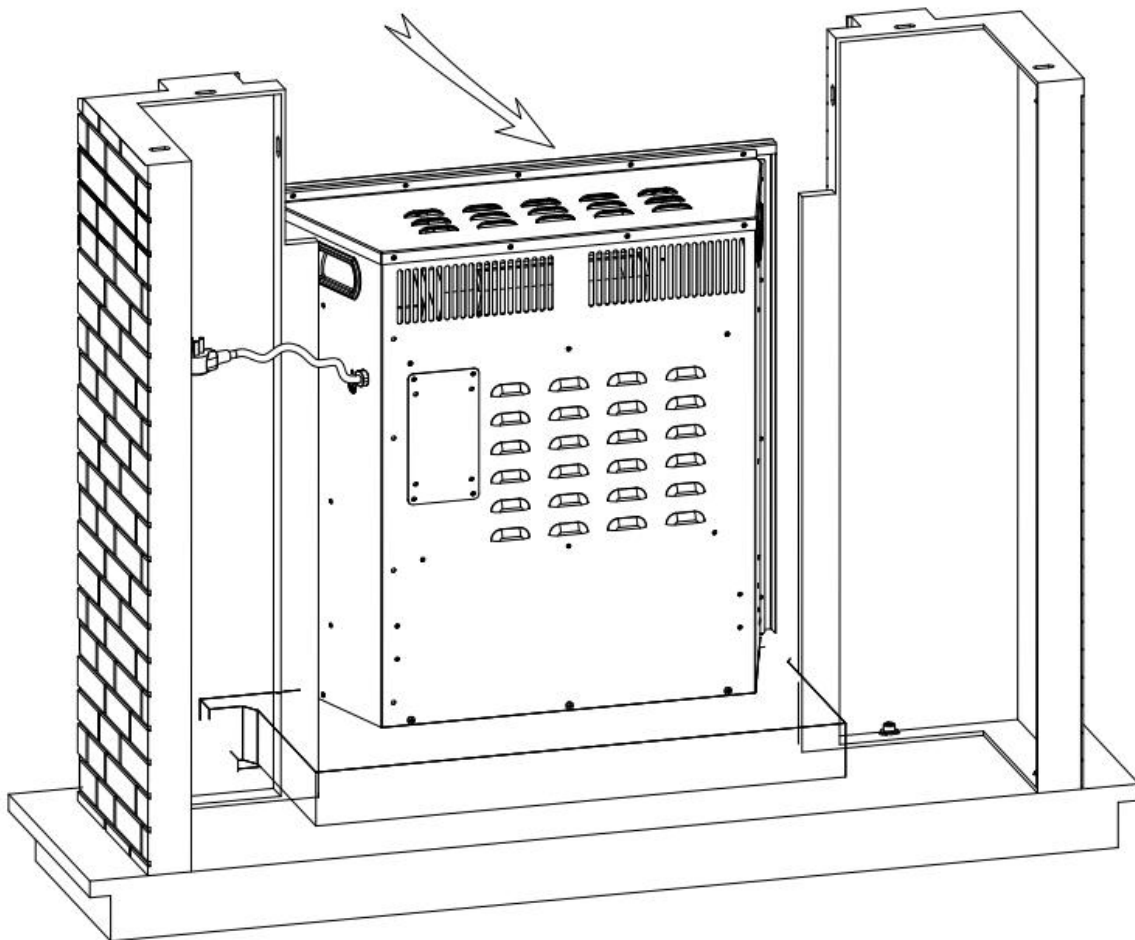


CCX4

Note: Do not tighten screws completely at this setp.

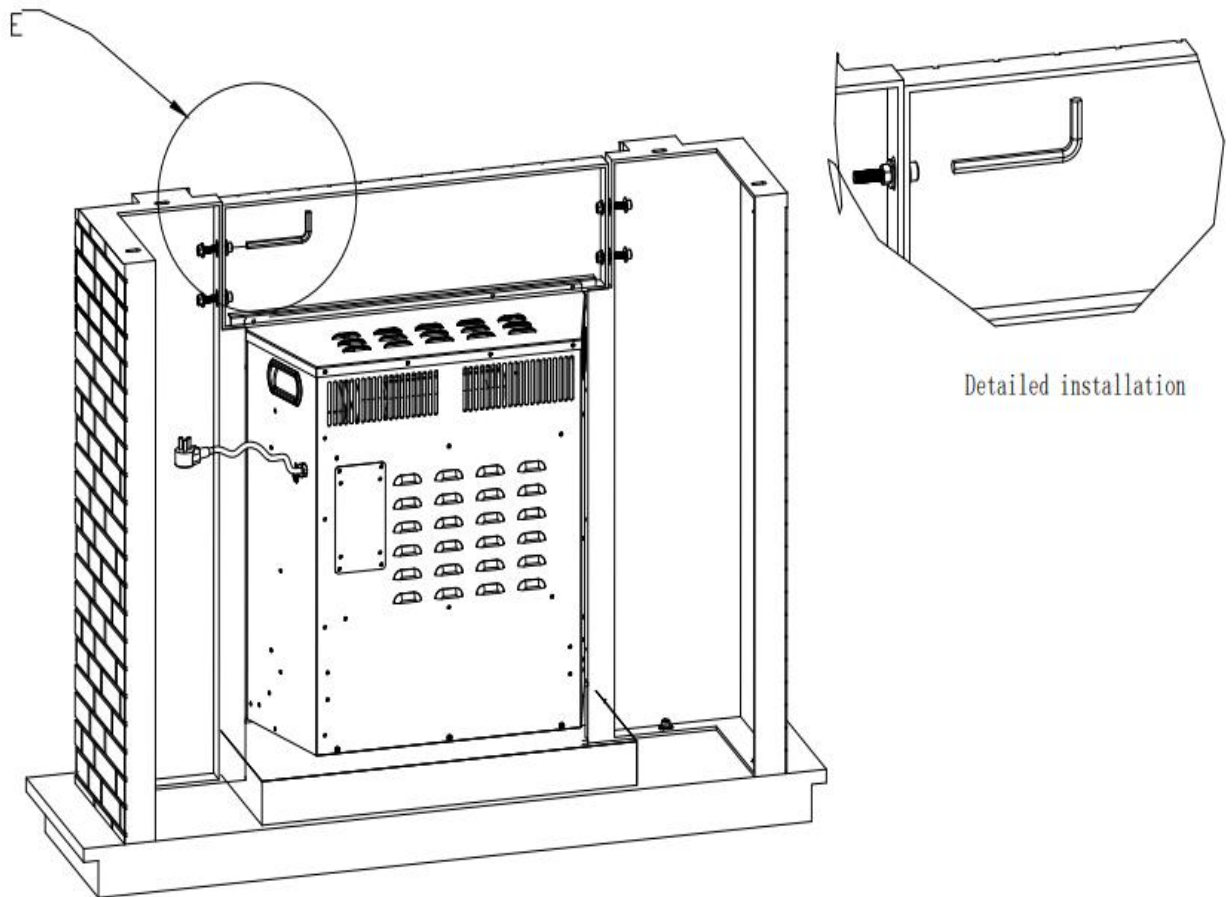
STEP 2:

Install the heater into the panels installed in the previous step with hexagon wrench as shown in the picture.



STEP 3:

Install the upper front panel onto the panels installed in the previous step with hexagon wrench as shown in the picture.



AAX8



BBX4

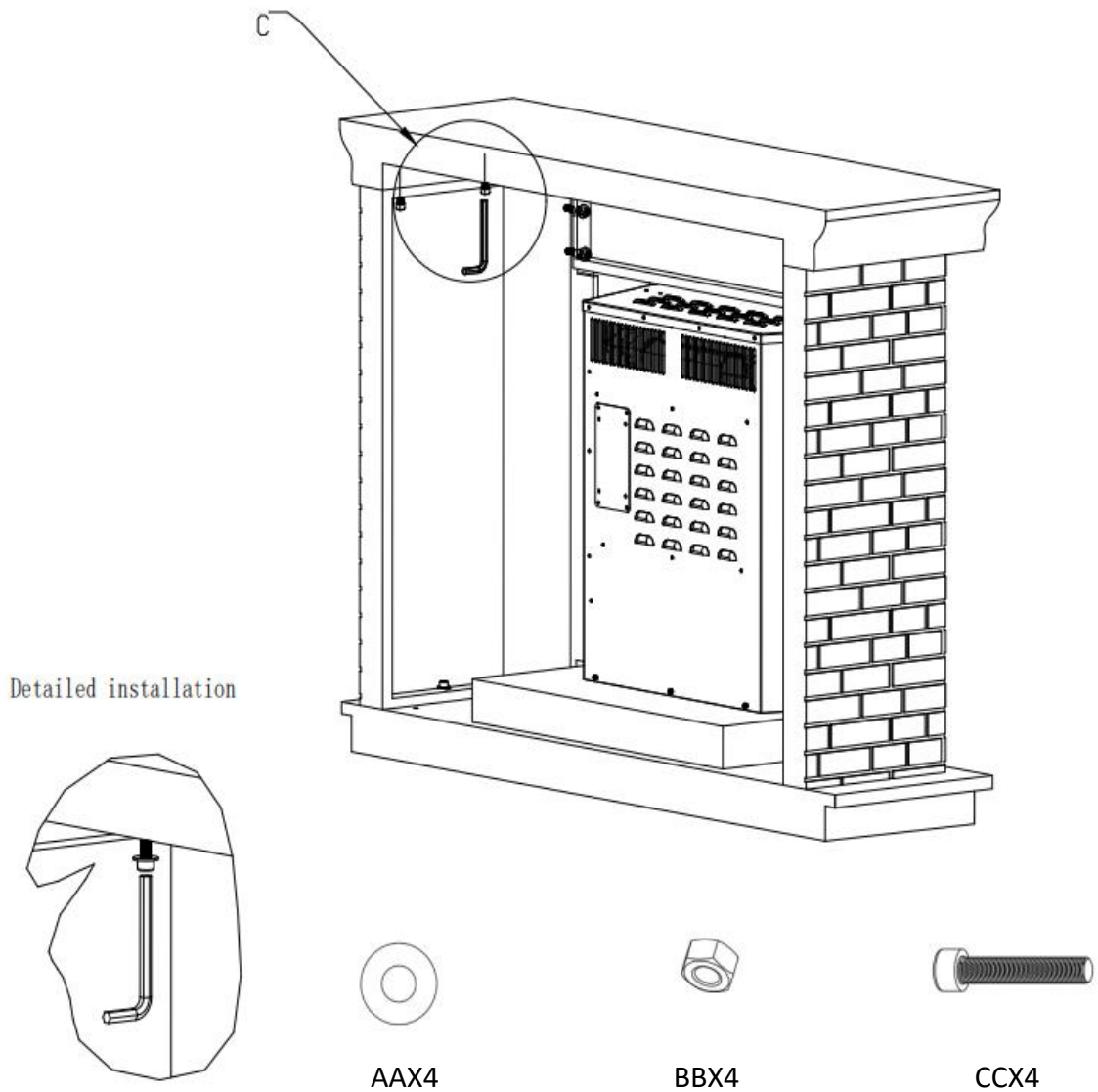


EEX4

Note: Do not tighten screws completely at this setp.

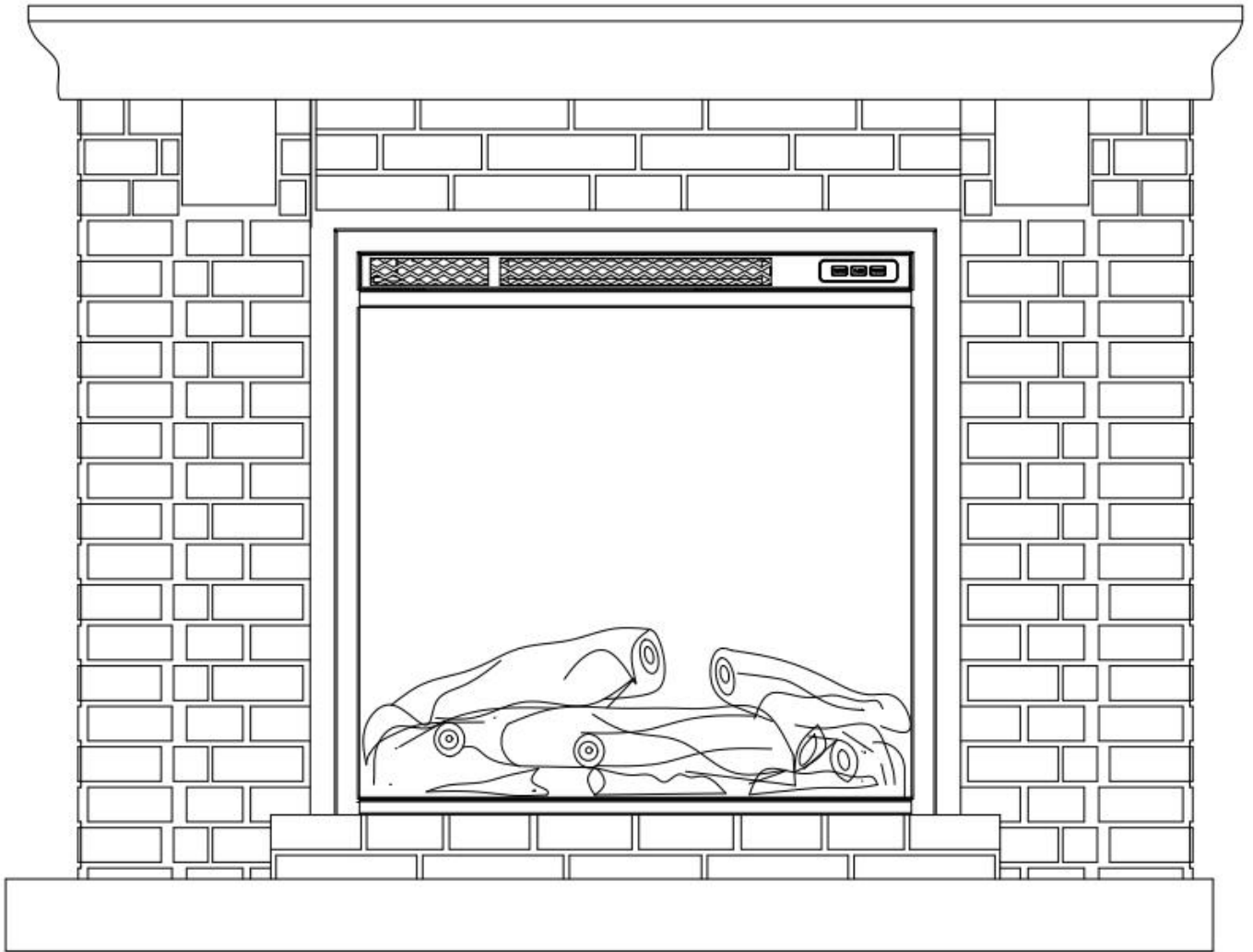
STEP 4:

Install the top panel onto the panels installed in the previous step with hexagon wrench as shown in the picture.



Note: Tighten all the screws completely after assembly.

FINISHED:



Thank you for purchasing this product! If you have any questions about the product, such as missing parts, damaged products, product assembling, and operation, please contact us via **Amazon Message** or customer service number: **213-4467172 or 661-4358826**

IMPORTANT

Please call our customer service department for any consulting:

213-4467172

661-4358826

(8:30am - 5:30pm P.S.T.)

DATED PROOF OF PURCHASE IS REQUIRED FOR WARRANTY SERVICE.

AVIS

Veillez appeler le service à la clientèle pour toutes questions au:

213-4467172

661-4358826

(8:30am - 5:30pm P.S.T.)

PREUVE D'ACHAT ORIGINALE REQUISE POUR SERVICE DE GARANTIE.

IMPORTANTE

Sólo hay que llamar nuestro departamento de servicio al cliente en caso de tener preguntas o inquietudes:

213-4467172

661-4358826

(8:30am - 5:30pm P.S.T.)

SE REQUIERE PRUEBA DE COMPRA CON FECHA PARA SERVICIO BAJO GARANTÍA.

Address : 9733 Topanga Canyon Blvd. APT310, Chatsworth, CA 91311

Phone: 213-4467172 or 661-4358826