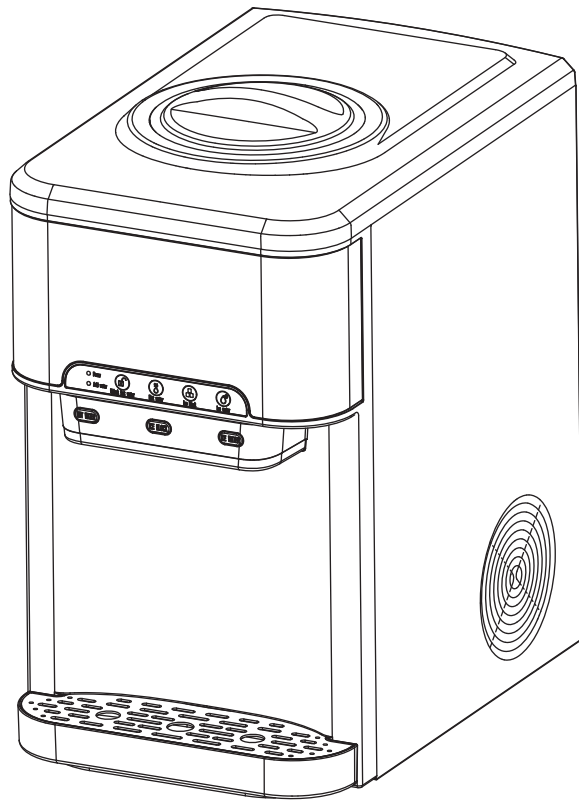


PORTABLE AUTOMATIC ICE MAKER

User Manual



HZB-20YLR

Table of Contents

Safety Information	2
Package Contents	3
Specifications	3
Packing List	3
Product Features	4
Touch Panel Description.....	4
Operational Specifications.....	4
Installation	5
Operation	6
Turn the Ice Maker with Water Dispenser On/Off.....	6
Dispense Cold Water.....	6
Dispense Ice Cube.....	7
Dispense Hot Water and Activate Unlock	7
Cleaning and Maintenance	8
Clean the Ice Maker with Water Dispenser.....	8
Care and Maintenance.....	10
Troubleshooting	11

Safety Information

WARNING: To reduce risk of injury and property damage, you must read this entire instruction manual before assembling, installing and operating the ice maker with water dispenser.

WARNING: This product dispenses very high temperature water. Failure to use it properly can cause personal injury. When operating this ice maker with water dispenser, always exercise basic safety precautions, including the following:

- Prior to use, this ice maker with water dispenser must be properly assembled and installed in accordance with this manual.
- For indoor use only. Keep the ice maker with water dispenser in a dry place away from direct sunlight. Do NOT use it outdoors.
- Install and use only on a hard, flat and level surface.
- Do NOT place the ice maker with water dispenser in an enclosed space or cabinet.
- Do NOT operate the ice maker with water dispenser in the presence of explosive fumes.
- Use only properly grounded outlets.
- Do not use an extension cord.
- Always grasp the plug and pull straight out from the outlet. Never unplug by pulling the power cord.
- Do NOT use the ice maker with water dispenser if the cord becomes frayed or otherwise damaged. If the supply cord is damaged, it must be replaced by the manufacturer, its service agent or similarly qualified persons in order to avoid a hazard.
- To protect against electric shock, do NOT immerse cord, plug, or any other part of the ice maker with water dispenser in water or other liquids.
- Do not use this ice maker with water dispenser with water that is micro-biologically unsafe or of unknown quality.
- Ice maker with water dispenser is compatible with 3- or 5-gallon (12- or 19- liter) water bottles.
- Your ice maker with water dispenser requires a standard 110-120volt, 60Hz electrical outlet with a three-prong ground
- Clean up all water spills after loading or unloading water bottles from the dispenser.
- Ensure the ice maker with water dispenser unplugged prior to cleaning.
- Never allow children to dispense hot water without proper and direct supervision. Unplug the unit to prevent unsupervised use by children.
- Service should be performed only by a certified technician.
- The appliance must not be cleaned by a water jet and is not suitable for installation in an area where a water jet could be used.

WARNING: Keep ventilation openings, in the ice maker with water dispenser enclosure or in the built-in structure, clear of obstruction.

WARNING: Do not use mechanical devices or other means to accelerate the defrosting process, other than those recommended by the manufacturer.

- This dispenser should work under environment of temperatures from 4 ° C~40 ° C (39 ° F~104 ° F) and humidity ≤90%.
- Never turn the ice maker with water dispenser upside down or lean it more than 45° .
- After turning the ice maker with water dispenser off, allow the dispenser to sit idle for 3 minutes before turning on again.

WARNING: This appliance must be earthed.

- DANGER – Risk Of Fire or Explosion. Flammable Refrigerant Used. Do Not Use Mechanical Devices To Defrost Ice Maker. Do Not Puncture Refrigerant Tubing.



- **DANGER** – Risk Of Fire Or Explosion. Flammable Refrigerant Used. To Be Repaired Only By Trained Service Personnel. Do Not Puncture Refrigerant Tubing.
- **CAUTION** – Risk Of Fire Or Explosion. Flammable Refrigerant Used. Consult Repair Manual/Owner’s Guide Before Attempting To Install or Service This Product. All Safety Precautions Must be Followed.
- **CAUTION** – Risk Of Fire Or Explosion. Dispose Of Property In Accordance With Federal Or Local Regulations. Flammable Refrigerant Used .
- **CAUTION**-Risk Of Fire Or Explosion Due To Puncture Of Refrigerant Tubing;Follow Handling Instructions Carefully. Flammable Refrigerant Used.
- The ice maker with water dispenser should be installed in accordance with the safety standard for Refrigeration Systems, ASHRAE15. The ice maker with water dispenser shall not be installed in corridors or hallways of public buildings.

Package Contents

- Countertop ice maker with water dispenser
- Removable drip tray
- Quick setup guide

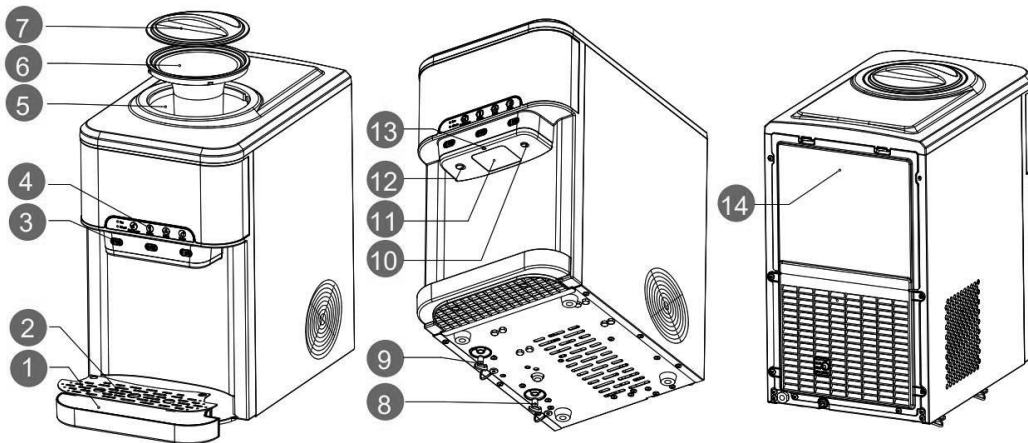
Specifications

Model	HZB-20YLR
Voltage/Frequency	115V 60Hz
Cold Water Temperature	≤8℃
Cold Water Tank Capacity	2.5L
Hot Water Temperature	≥90℃
Hot Water Tank Capacity	0.8L
Product Dimensions	W428xD278xH479mm
Net Weight	14.9Kg

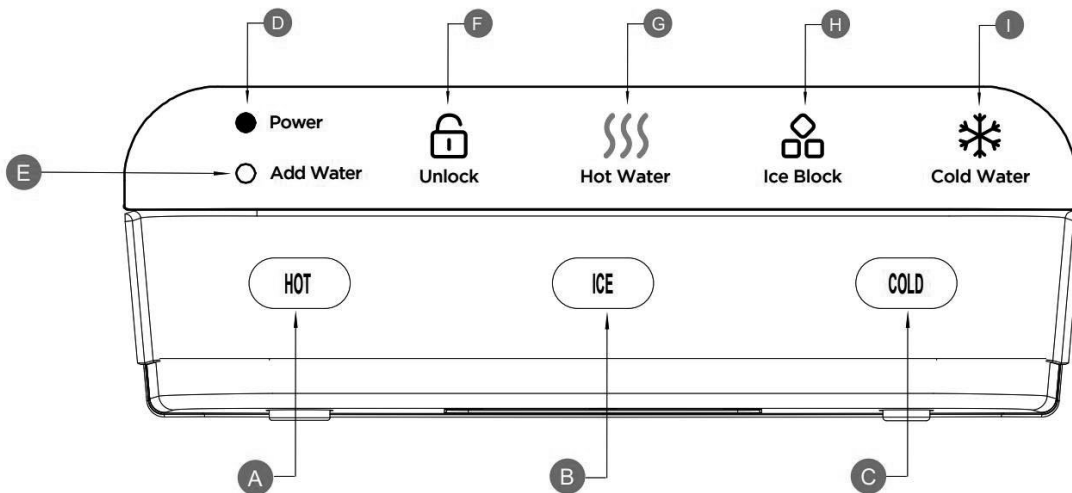
Packing List

No.	Description	Quantity
1	Manual	1
2	Non spill advice	1
3	Water box	1
4	Water box cover	1
5	Radiator cap	1

Product Features



Part	Description	Part	Description
1	Removable drip tray	8	Cold water drain outlet
2	Drip tray Cover	9	Hot water drain outlet
3	Hot/Cold/Ice Button	10	Cold water spout
4	Touch panel display	11	Ice cube spout
5	Water reservoir	12	Hot water spout
6	Bottle support collar	13	Night light
7	Cover	14	Back cover



- A Hot water button - Press to dispense hot water
- B Ice dispense button - Press to dispense ice cubes
- C Cold water button - Press to dispense cold water
- D Power indicator light
- E Add-water indicator light
- F Lock button - Press to lock or unlock the hot water button
- G Heating indicator light - Light on means hot water ready
- Light flash means water is heating
- H Ice making indicator light - Light on means ice tank is full
- Light flash means making ice cubes
- I Cooling indicator light - Light on means cold water ready
- Light flash means water is cooling

Installation

1. Determine Installation Location

- A. Place the ice maker with water dispenser upright.
- B. Locate the ice maker with water dispenser on a hard and level surface in a cool shaded location near a grounded wall outlet.
- C. Position the back and left sides of the ice maker with water dispenser no closer than 10 cm (4 in.), and right side no closer than 15cm (6 in.) from a wall or obstacles and permit free airflow between the wall or obstacles and the ice maker with water dispenser.

NOTICE: DO NOT plug in the power cord until the entire installation section is completed.

2. Install the Drip Tray and Grid

- A. Unwrap the drip tray from the packaging material and slide it onto the lower slot on front panel of the ice maker with water dispenser until it is secure in place.

3 . Install a Water Bottle(#1)

IMPORTANT: To prevent dry heating, do not turn on the heating and cooling until you complete the steps in this procedure.

NOTE: This dispenser is compatible with 3-or 5-gallon water bottles. It is recommended that you purchase water bottles equipped with a push-cap hole diameter bigger than 20mm (3/4 in) and the bottle neck cap diameter smaller than 69 mm (2 3/4 in.).

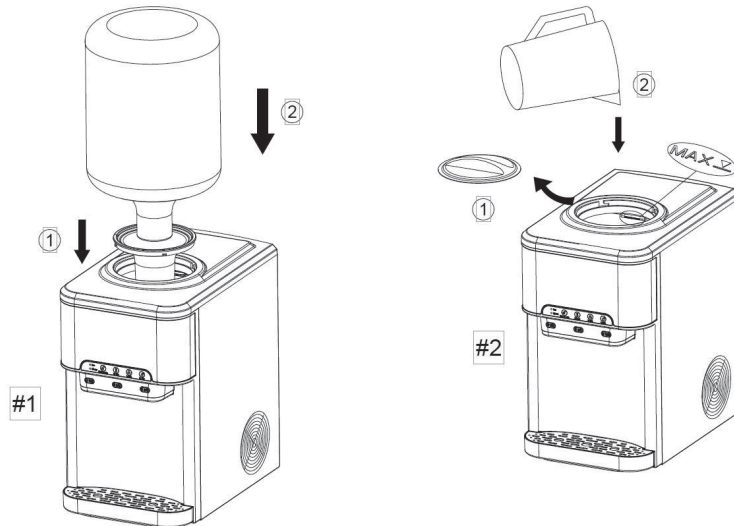
NOTE: Make sure that the bottom water drain plug is in place and secure.

- A. Remove the plastic seal on top of the bottle, but do not remove the protective cap from the water bottle.
- B. Clean the bottle cap and neck with a damp, warm cloth.
- C. Lift and turn the bottle upside down and place it securely on the bottle support collar. The inside of the collar is equipped with a probe that pierces the water bottle cap in order to avoid spills and bacteria entering the water.
- D. Wait 5 minutes for the water tanks to fill with water before attempting to use the ice maker with water dispenser.
- E. Remove air from the tanks by placing a cup under each water tap and drain at least 4 cups (1 liter) of water before initial use.

4 . Manually add water(#2)

Pour drinking water into the top reservoir. Make sure that the water level is below the MAX line.

WARNING: Fill with drinking water only



Operation

IMPORTANT: This unit has been tested and sanitized prior to packing and shipping. During transit, dust and odors can accumulate in the tank and lines. Dispense and dispose at least one quart of water prior to drinking any water.

NOTICE: After unpacking your Ice Maker with Water Dispenser, it must rest in an upright position for at least two hours before you plug it in or the compressor may be damaged, shortening the life span of the unit.

Turn the Ice Maker with Water Dispenser On/Off

- 1 Plug in the ice maker with water dispenser.
- 2 Run water through the cold and hot water taps until water begins to dispense.
- 3 To power on the cooling system, press “Cold Water” touch button. Then cooling indicator light starts flashing. If the cool water is ready, the light is steadily on. Press “Cold Water” touch button again to turn it off.
- 4 To power on the heating system, press “Hot Water” touch button. Then heating indicator light starts flashing. If the hot water is ready, the light is steadily on. Press “Hot Water” touch button again to turn it off.
- 5 To power on the ice maker system, press “Ice Block” touch button. Then ice making indicator light starts flashing. If the ice maker tank is full, then the light is steadily on. Press “Ice Block” touch button again to turn off.

Dispense Cold Water(#3)

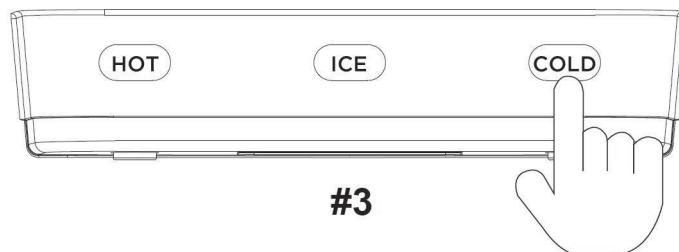
NOTE: It will take approximately 1 hour after plugging in and turning on to make water completely chilled. The cooling light will be steadily on once the water is fully chilled.

- 1 Put a drinking glass or container under the cold water faucet. Press “Cold” button to dispense

cold water.

2 Press “Cold” button again to stop cool water dispensing when your container is full.

Note:Dispensing time is 8s,if you need more cool water,then re-peat above action.



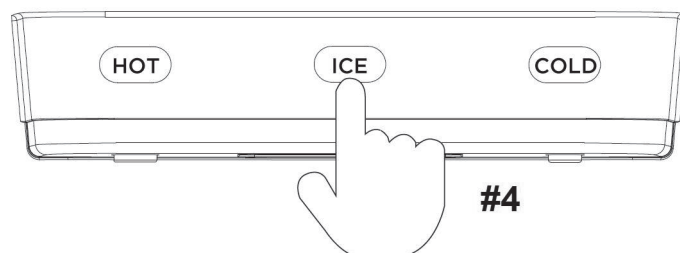
Dispense Ice Cubes(#4)

NOTE: It will take approximately 6-13 minutes to make ice after plugging in and turning on. The ice tank can hold 1.8Kgs (4 pounds) ice cubes.

1 To dispense ice cubes, place a drinking glass or container under the ice spout and press the “Ice” button.The night light is on.

2 Press the “Ice” button again to stop ice dispensing.

NOTE: Dispensing time is 150s and dispense all the ice cubes in ice tank, if you don't push the “ice” button again to stop it. If you need more ice cubes, please repeat above action.



Dispense Hot Water and Activate Unlock(#5)

CAUTION: This unit dispenses water at temperatures that can cause severe burns. Avoid direct contact with hot water. Keep children and pets away from the unit while dispensing. Never allow children to dispense hot water without proper and direct supervision. Disable the heating feature by switching the heating convenience switch to the Off position.

NOTE: It will take approximately 15-20 minutes after plugging in and turning on to make hot water reach its hottest temperature.

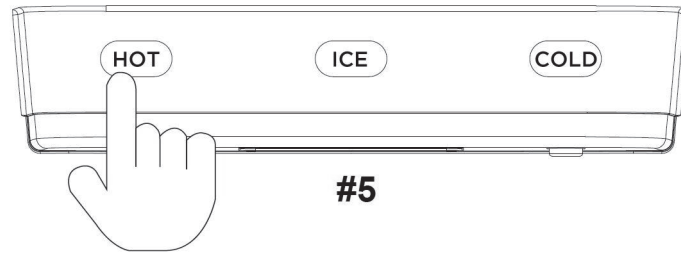
1 This ice maker with water dispenser is equipped with a child safety lock in order to prevent inadvertent dispensing. To disable the child safety lock feature, press the “Unlock” touch button.

2 To dispense hot water, place a drinking glass or container under the hot water tap and press the “Hot” button.

3 Press the “Hot” button again to stop dispensing hot water when your container is full.

NOTE: “Unlock” function works 2 seconds and it will automatically lock again if no action after 2 seconds.

Dispensing time is 12s if you don’t push “Hot” button again to stop dispensing hot water. If you need more hot water, please repeat above action.



Cleaning and Maintenance

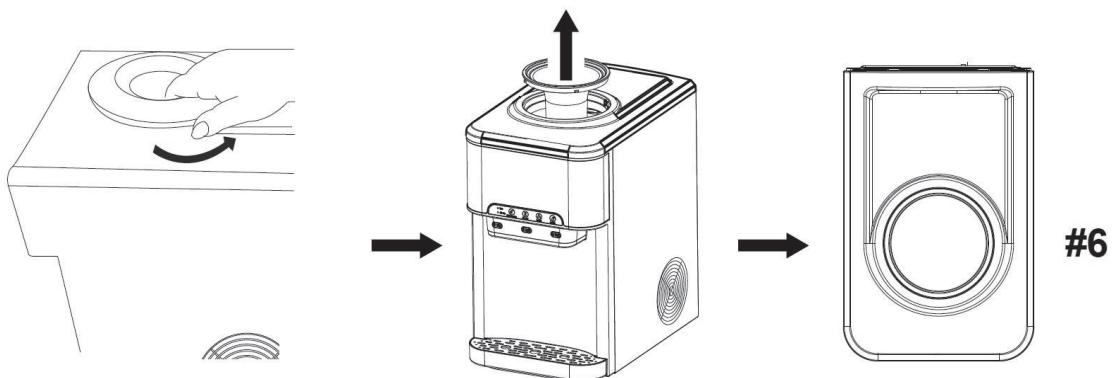
Clean the Ice Maker with Water Dispenser

CAUTION: Always turn off and unplug the ice maker from the power supply before cleaning and servicing

CAUTION: Do not use bleach or vinegar to clean the internal components.

Clean the top water reservoir(#6)

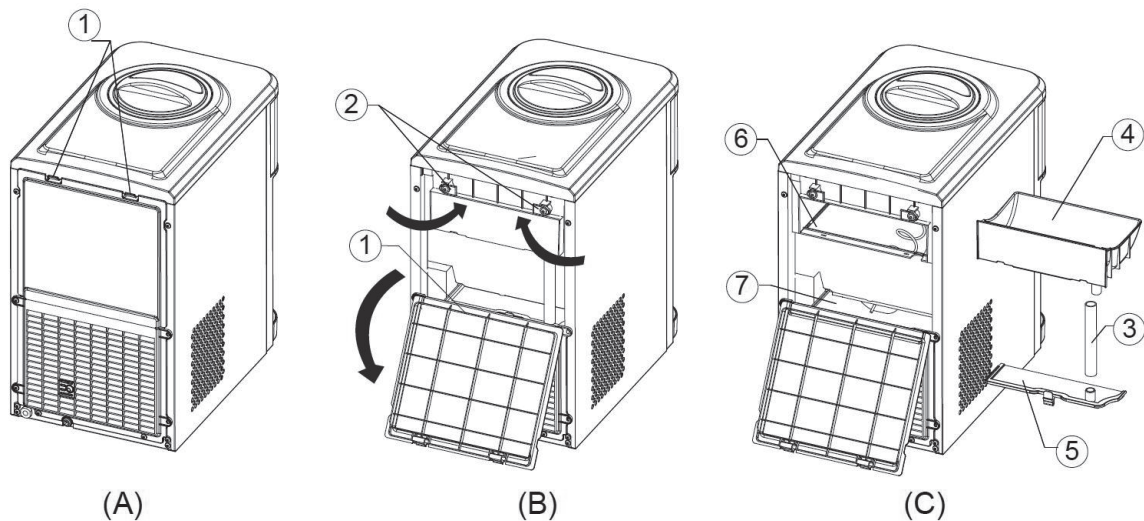
1. Twist or lift off the bottle supporter.
2. Clean the water reservoir and make sure to remove the hot water drain plug on the unit bottom to drain the water completely.
3. Dry the water reservoir with soft cloth.
4. Make sure to put back the hot water drain plug after cleaning and before using the unit.



Clean internal component(#7)

- 1.Press the two clips on upper part of back plate to open the back plate.
- 2.Turn the two vertical locks center-wise to horizontal position.
- 4.Pull out the ice making box.
- 5.Press the cold water tank cover clip and open the cold water tank.
- 6.Clean the interior with diluted detergent, warm water, and a soft cloth.
- 7.Drain the water from the bottom by unplugging the cool water drain plug. Make sure to put back the cool water drain plug after drainage.
- 8.Put back the cold water reservoir cover and push back the ice making box, twisting the two clips into place and rotating them clockwise.
- 9.Make sure the silicone tube connect well.
- 10.Push back the back plate.

Caution: The Ice Maker with Water Dispenser will heat water to a temperature of approximately 185° F. It can cause severe burns if not handled carefully. Please use caution while operating and cleaning. Please allow ample time for any hot water inside the machine to cool down before draining it.



#7

Care and Maintenance

IMPORTANT: To prolong the lifetime of the machine, it is recommended that the unit be cleaned and sanitized manually every months.

- Clean the outside of the ice maker with a mild detergent solution and warm water. Use a soft cloth to wipe to avoid scratching or damaging the surface of the unit.
- Keep this Ice Maker with Water Dispenser in a dry and cool place and avoid direct sunshine.
- Ensure the back and left sides of the unit is at least 10 cm (4 in.) away from the wall, and right side at least 15 cm (6 in) away from the wall.
- Never put the Ice Maker with Water Dispenser on paper or foam, which may store water and cause creepage. Never put anything flammable beside this machine.
- Do not use the Ice Maker with Water Dispenser outdoors or in a place that can be splashed by water.
- If the Ice Maker with Water Dispenser is not in use for longer than a 24-hour period, unplug the unit to save power and drain any remaining water.
- Clean your cabinet, controls, bottle probe and spout each time you change your water bottle. Use a clean soft cloth and a food grade sanitizer or bleach.
- Empty and clean the drip tray, grid and float.

Troubleshooting

Problem	Solution
“Add Water”indicator light on	Replace with a new water bottle
	Pour drinking water into the top reservoir to MAX level
	Clean the water tank and check the water level switch works well.
“Add Water”indicator light flash quickly	Clean the cold water tank and check the water level switch if it works well.
Power indicator light flash	Call customer service for assistance
Ice Water indicator light flash quickly	Cold water sensor fault,change a new temp sensor
“Ice Block”indicator light on	Ice tank is full,take out some ice cube
	Ice full sensor fault,press “Ice Block”more than 5s to mandatory ice making 20 cycles
“Ice Block”indicator flash quickly	Change a synchronous motor
“Hot Water”indicator light flash quickly	Hot water sensor fault,change a new temp sensor
“Unlock”indicator light flash quickly	Ambient temp sensor fault,change a new temp sensor
Ice cube too thin	Move the unit to a cool place
	Make sure free airflow on all sides of the unit at least 10 to 15 cm away from wall or obstacles
Ice cube too thick	Move the unit to a warm place
The dispenser is not dispensing water.	Check to see if the bottle and the top water tank is empty and replace with a new bottle if necessary.
	Press "Unlock" before press Hot Water button
There is water leakage	Ensure the bottle is installed correctly.
	The drain plugs are in place and fit well
	Check to make sure that pipes are connected properly
	Water pipe may need to be replace

Thank you for purchasing this product! If you have any questions about the product, such as missing parts, damaged products, product assembling, and operation, please contact us via **Amazon Message** or customer service number: **213-4467172 or 661-4358826**

IMPORTANT

Please call our customer service department for any consulting:

213-4467172

661-4358826

(8:30am - 5:30pm P.S.T.)

DATED PROOF OF PURCHASE IS REQUIRED FOR WARRANTY SERVICE.

AVIS

Veillez appeler le service à la clientèle pour toutes questions au:

213-4467172

661-4358826

(8:30am - 5:30pm P.S.T.)

PREUVE D'ACHAT ORIGINALE REQUISE POUR SERVICE DE GARANTIE.

IMPORTANTE

Sólo hay que llamar nuestro departamento de servicio

al cliente en caso de tener preguntas o inquietudes:

213-4467172

661-4358826

(8:30am - 5:30pm P.S.T.)

SE REQUIERE PRUEBA DE COMPRA CON FECHA PARA SERVICIO BAJO GARANTÍA.

Address : 9733 Topanga Canyon Blvd. APT310, Chatsworth, CA 91311

Phone: 213-4467172 or 661-4358826