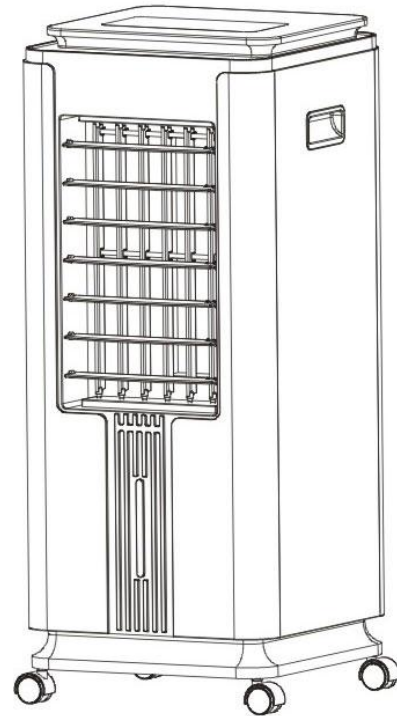


INSTRUCTION MANUAL AIR COOLER



**ITEM NO:6973
MODEL:JDAC73
120V,60Hz 70W**

IMPORTANT SAFETY INSTRUCTIONS

Always observe basic safety precautions when using this electrical appliance.

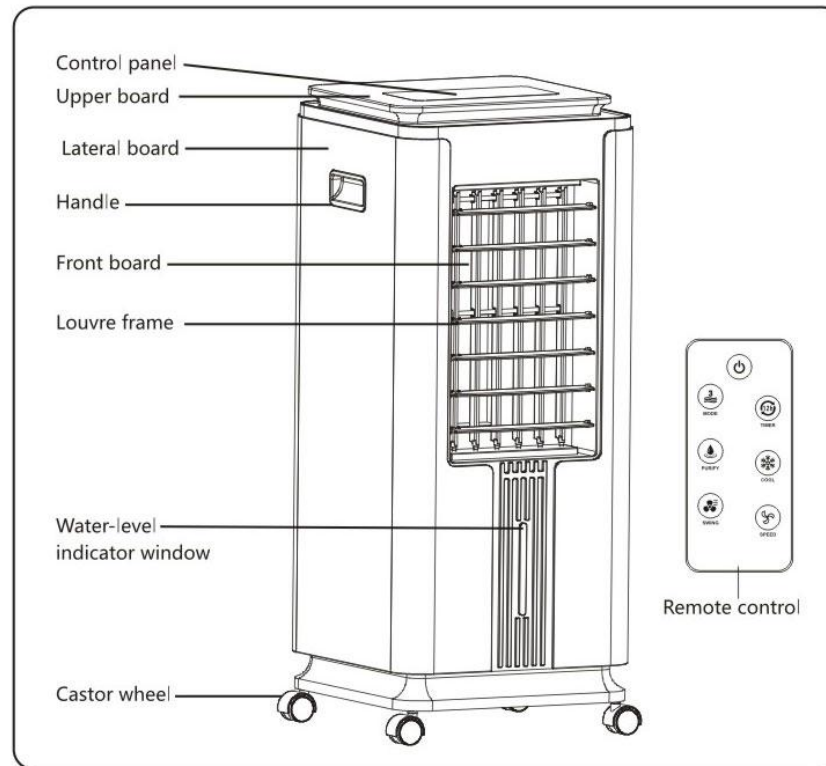
1. The appliance is for household use only.
2. Connect the appliance to a single-phase AC supply of the voltage specified on the rating label.
3. Always turn OFF the product and unplug it from the socket when not in use.
4. Extreme caution is necessary when the appliance is used by or near children, infirm people or the elderly.
5. Do not run the appliance cord under carpeting and do not cover it with rugs, runners or others similar. Arrange the cord away from high-traffic areas so it does not present a tripping hazard.
6. Do not operate the appliance if the cord or plug is damaged or after the unit malfunctions or has been dropped or damaged in any manner.
7. If the appliance cord is damaged, it must be replaced by the manufacturer, its service agent or a similarly qualified person to ensure it is safe to use.
8. Use the appliance in a well-ventilated area. When in use, the appliance must be kept a minimum of 20 cm from walls and corners to ensure the air intake and exhaust openings remain clear. The unit can not be located just below or besides curtains or the like.
9. Do not insert fingers or other objects into the grill when the appliance is in use to avoid injury and damage to the unit. Do not block the air intake or exhaust openings in any manner.
10. If you wish to move the product whilst there is water in the tank, unplug it and push it slowly and carefully from the side of the unit to avoid water spillage.
11. The ice box contains chemicals that are harmful if swallowed. Keep the icebox away from children and never place the ice pack under direct sunlight. The ice box can be used for over 5 years. When disposing of the appliance, follow the specific regulations concerning the disposal of the ice box.

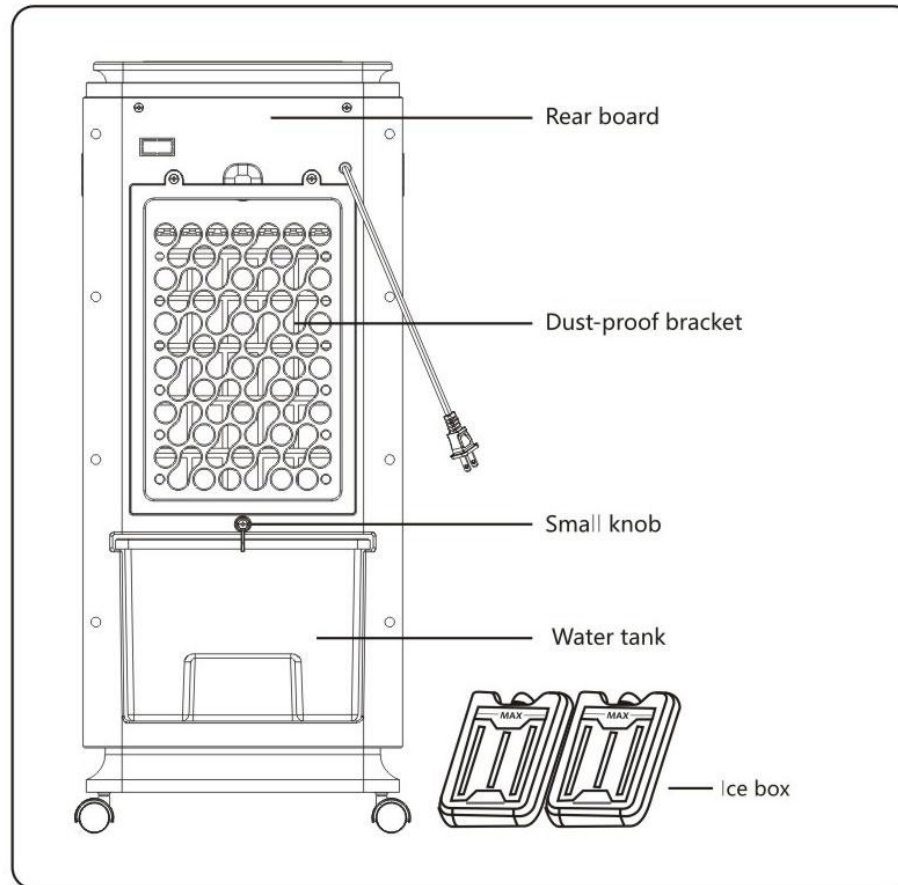
12. Use the appliance on a flat, dry floor only.

13. This appliance is not intended for use by people (including children) with reduced physical, sensory or mental capabilities or a lack of experience and knowledge unless they are supervised or have been instructed in the use of the appliance by a person responsible for their safety.

14. Children around the appliance should be supervised closely to ensure they do not play with the unit.

PRODUCT OVERVIEW





TECHNICAL SPECIFICATIONS

Model No.	JDAC73
Power Supply	120V,60Hz
Power Consumption	70W
Water Tank Capacity	7 L
Water Consumption	1 L/h

The specifications and design of this appliance are subject to change without notice.

ASSEMBLY INSTRUCTIONS

CASTOR WHEELS INSTALLATION

Remove the appliance from its packaging and turn it upside down. Insert the wheel into the bottom hole and fix it in place. The caster wheels are now ready for use.(Fig. 1)

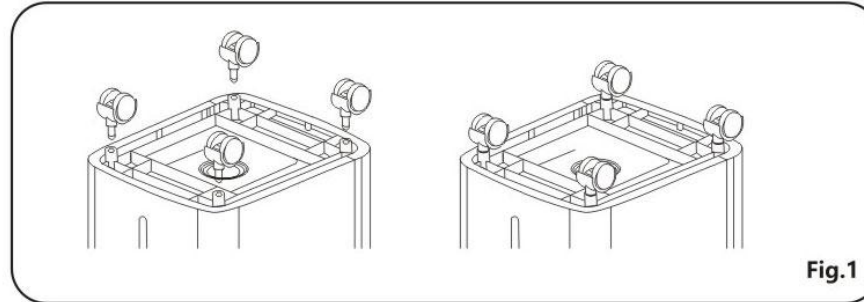
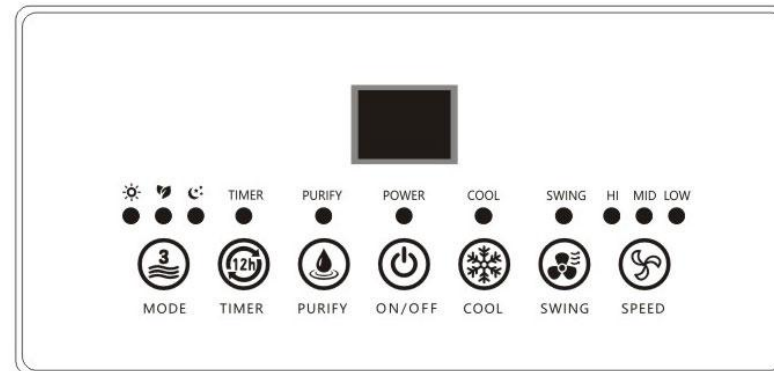


Fig.1

OPERATING INSTRUCTIONS



1.Insert the plug into a standard AC socket. Ensure the plug fits snugly in the socket.

2."ON/OFF" buttonⓄ

Press the "ON/OFF" button to start or stop the fan.

Note: The default fan speed is "Low" and the default fan mode is "Normal". The display shows the temperature of the room.

3."SPEED" button Ⓢ

Press the "SPEED" button to set the desired fan speed ("High" , "Medium" or "Low"). This will illuminate the corresponding speed indicator light while the fan is operating.

4. "MODE" button ®

Press the "MODE" button to choose the desired mode ("Normal" , "Natural" or "Sleep"). This will illuminate the corresponding mode indicator light while the fan is operating.

5. "TIMER" button ©

Set the desired shutdown time by pressing the "TIMER" button. The range is between 0-12 hours in 1-hour increments. The pre-set time will be shown on the display for about 5 seconds. Set the timer to 0 to cancel the pre-set time.

6. "SWING" button®

Press the "SWING" button to move the internal blades from side to side. This will illuminate the swing indicator light. Press the "SWING" button again to stop the process, and the swing indicator light will go off. Manually moving the horizontal louvres up or down will also change the air direction.

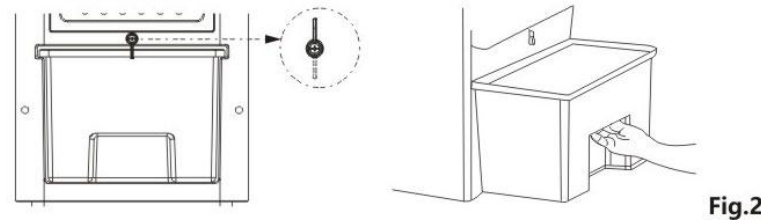
7. "PURIFY" button®

Press the "PURIFY" button to operate the built-in ionizer and freshen the air in the room.

8. "COOL" button®

Caution: Do not start the cool function if there is no water in the water tank as this will damage the water pump. **DO NOT** add water when the power is on.

a. Before operating the unit in cool mode, turn the small knob, pull out the water tank and ensure the water tank escape valve is properly affixed. Then, fill the water tank with clean water being sure not to exceed the maximum level indicated.(Fig. 2/ Fig. 3/ Fig. 4)



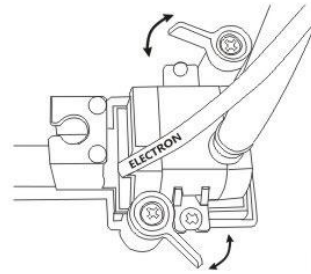


Fig.3

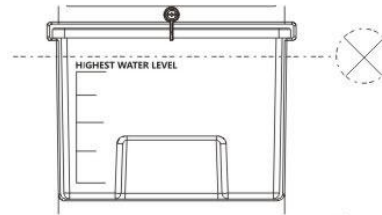


Fig.4

Then, press the "COOL" button and the unit will blow cooler air (a full water tank can supply 6-8 hours of cool air). The cool indicator light will illuminate when the "COOL" button is pressed. Press the "COOL" button again to stop the cool function and turn off the cool indicator light.

b. Following step a), if you find the air is not cool enough, open the water tank cover and add extra ice blocks into the water tank.

c. If you wish to use an ice box (two ice boxes are included) instead of ice blocks, fill the ice box with water making sure not to exceed the maximum level indicated. (Fig. 5).



Fig.5

Place it in your freezer and leave it for 1 to 2 hours. The ice boxes can be re-used and have a lifespan of more than 5 years.

d. Turn the two fixed knobs to separate the escape valve. You can then remove the water tank and replace the water or clean the tank.

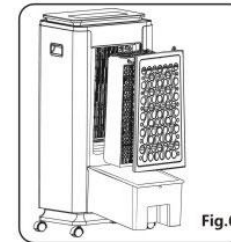
9. Remote control

The above functions can be controlled using the remote control by pressing the corresponding function buttons. The remote control works at a distance of no more than 5 meters from the appliance and an angle of approximately 20 degrees.

CLEANING AND MAINTENANCE

WARNING:

1. Always remove the plug from the socket and stop the fan before cleaning the appliance.
2. Do not immerse the unit in water.
3. Do not use any cleaning chemicals on the appliance, such as detergents and abrasive products.
4. Do not allow the interior of the appliance (especially the pcb board) to get wet
5. Clean the external surfaces of the appliance using a soft, damp but not wet cloth.
6. During extended periods of use, replace the water in the tank with fresh, clean water at least once a week for safety.
7. Regularly clean the dust-proof brackets and water pad by unscrewing the dust-proof brackets and removing them and the water pad. These should be cleaned in a mild, soapy solution and then left to dry before they are replaced. (Fig. 6)
8. When the appliance is not in use, unplug it, completely drain the water and replace it in its original box for storage.
9. In the case of malfunction or irregular performance, never attempt to repair the fan yourself due to the risk of electric shock and fire.

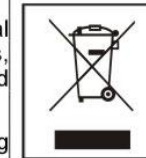


DISPOSAL

As a responsible retailer, we care about the environment. As such, we urge you to follow the correct disposal procedures for the appliance and its packaging materials. This will help conserve natural resources and ensure that these items are recycled in a manner that protects people's health and the environment.

You must dispose of the appliance and its packaging according to local laws and regulations. As this appliance contains electronic components, it and its accessories must be disposed of separately from household waste when the appliance reaches the end of its life.

Contact your local authority to learn about your disposal and recycling options. The appliance should be taken to your local recycling centre. Some centres accept appliances in free of charge.



Thank you for purchasing this product! If you have questions about the product such as missing parts, damaged products, product assembling and operation etc., please contact us via **Amazon Message** or customer service phone: **213-4467172**

IMPORTANT

Simply call our customer service department for any consulting:

213-4467172

(8:30am - 5:30pm P.S.T.)

DATED PROOF OF PURCHASE IS REQUIRED FOR WARRANTY SERVICE.

AVIS

Veillez appeler le service à la clientèle pour toutes questions au:

213-4467172

(8:30am - 5:30pm P.S.T.)

PREUVE D'ACHAT ORIGINALE REQUISE POUR SERVICE DE GARANTIE.

IMPORTANTE

Sólo hay que llamar nuestro departamento de servicio al cliente en caso de tener preguntas o inquietudes:

213-4467172

(8:30am - 5:30pm P.S.T.)

SE REQUIERE PRUEBA DE COMPRA CON FECHA PARA SERVICIO BAJO GARANTÍA.

Add: 9733 Topanga Canyon Blvd. APT310, Chatsworth, CA 91311

Phone: 213-4467172