

IMPORTANT INSTRUCTIONS AND OPERATING MANUAL



PATIO HEATER

Model: TH15R

Add: 9733 Topanga Canyon Blvd. APT310, Chatsworth, CA 91311

Phone: 213-4467172

Thank you for purchasing your new Heater.

These operating instructions will help you use it properly and safely. We recommend that you spend some time reading this instruction manual in order that you fully understand all the operational features it offers. Read all the safety instructions carefully before use and keep this instruction manual for future reference.

Safety warnings

READ ALL INSTRUCTIONS BEFORE ATTEMPTING TO OPERATE THIS UNIT. KEEP THE ASSEMBLY INSTRUCTIONS FOR FUTURE REFERENCE. KEEP THE ASSEMBLY INSTRUCTIONS FOR FUTURE REFERENCE. KEEP THE ORIGINAL PACKAGING FOR USE WHEN STORING THE HEATER DURING EXTENDED PERIODS OF NON-USE.

- Read all instructions before using this unit.
- Do not leave this unit unattended when in use.
- This heater will get hot when in use. Do not touch hot surfaces.
- Caution: Some parts of this product can become very hot and cause burns. Particular attention has to be given when children and vulnerable people are present.
- Do not move the unit when in use. Wait until the heater is completely cool before moving and check that it has been unplugged from the power supply.
- Position the unit at least 1m away from highly combustible materials such as furniture, trees, leaves, dry grass and bushes.
- The heater must not face with the heating element pointing upwards towards a ceiling. The heater element must be facing the area it is to heat.
- Warning: In order to avoid overheating do not cover the heater. It is not for drying clothes.
- Keep children and pets at a safe distance from the unit.
- This appliance can be used by children aged from 8 years and above and persons with reduced physical, sensory or mental capabilities or lack of experience and knowledge if they have been given supervision or instruction concerning use of the appliance in a safe way and understand the hazards involved.
- Children shall not play with the appliance. Cleaning and user maintenance shall not be made by children without supervision.
- Do not operate the heater if any signs of damage or malfunction manifest themselves.
- Do not attempt to repair or adjust any electrical or mechanical functions on this unit. The unit does not contain any user serviceable parts. Only a qualified

electrician should perform servicing or repairs. Attempting to repair the unit yourself will void your warranty.

-If the power cable is damaged, it must be replaced by the manufacturer, its service agent or similarly qualified persons in order to avoid a hazard.

-Do not handle the element with bare hands. If it is inadvertently touched, remove finger marks with a soft cloth and methylated spirits or alcohol, otherwise the marks will burn into the element causing premature heater failure.

-Do not replace or attempt to replace the element in this product.

-This product is suitable for indoor and outdoor use. Do not use this heater in the immediate surroundings of a bath, shower or swimming pool.

-This product must not be left outdoors exposed to the elements for long periods of time.

-Do not touch the plug with wet or damp hands.

-Do not run the power cable under carpeting. Do not cover the power cable with rugs, runner, or similar coverings. Arrange the power cable away from foot traffic and where it will not be tripped over.

-Do not wind the power cable around the unit.

-Do not insert or allow foreign objects to enter any ventilation or opening on the heater, as this may result in electric shock, fire, or damage to the heater.

-To prevent a possible fire, do not block the air vents.

-A heater has hot and arcing or sparking parts inside. Do not use in areas where petrol, paint, explosive and/or flammable liquids are used or stored. Keep unit away from heated surfaces and open flames.

-Where possible, avoid the use of an extension cable as this may overheat and cause a fire. However, if you have to use an extension cable, ensure it is suitable for the purpose, has been tested for outdoor use and preferably has an RCD device fitted or attached.

-Always ensure the heater is plugged into a suitable socket, one that is tested for outdoor use.

-To disconnect heater, turn controls to OFF, then remove plug from socket. Do not unplug by pulling on the power cable.

-Always unplug the unit and ensure the unit is completely cold before moving, cleaning or storing.

-This heater is intended for domestic use only and should not be used commercially for contract purposes. Any alternative use, not recommended by the manufacturer, may result in fire, electric shock, or injury to persons.

-The use of attachments on the heater is not recommended.

-Do not use this heater with a programmer, timer, separate remote control system or any other device that switches the heater on automatically, since a fire risk exists if the heater is covered or positioned incorrectly.

-Warning: This heater is not equipped with a device to control the room temperature. Do not use this heater in small rooms when occupied by persons not capable of leaving a room on their own, unless constant supervision is

provided.

- Check exterior walls for areas of damage before installing the heater.
- Always use on a dry, suitably strong, stable, flat and level surface.
- Check exterior walls for communication and electrical cables and pipelines. Should any service lines be present in the immediate vicinity do not install your heater, find an alternative location to install this product.
- Do not position directly above or below an electrical socket.
- Do not remove any of the warning stickers or signs from the product.

Installation

Unpack the heater making sure that all the items are present and that there are no components left in the box and that the heater head is free from any packing material.

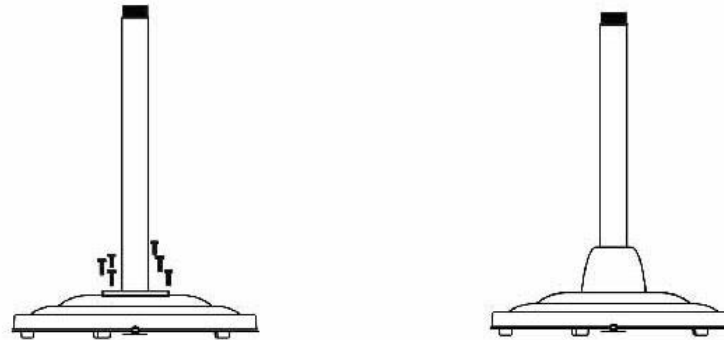
Using the below detailed drawing to follow the steps to assemble your heater. Do not connect the heater to the power supply until all the assembly is complete.

Do not connect the heater to the power supply if any of the components or the power cable is damaged in any way.

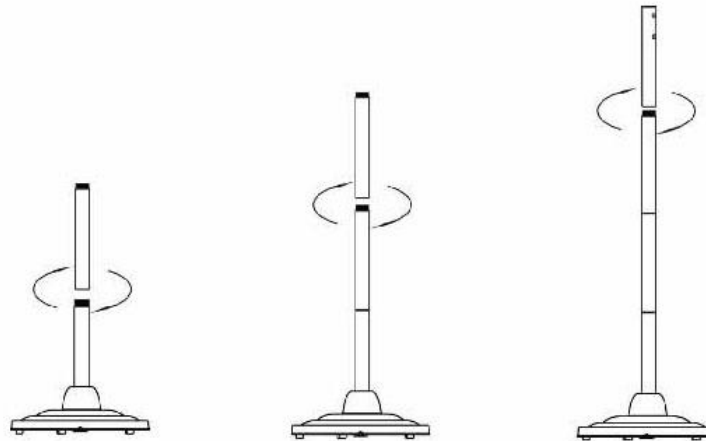
If in doubt contact your supplier.

Assembly

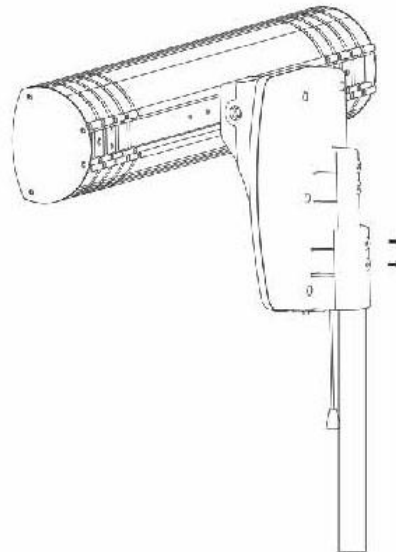
Step 1: Fix the bottom tube and cover and the base by using 6pcs M6*30mm screws. Place the decorative cover onto the bottom tube.



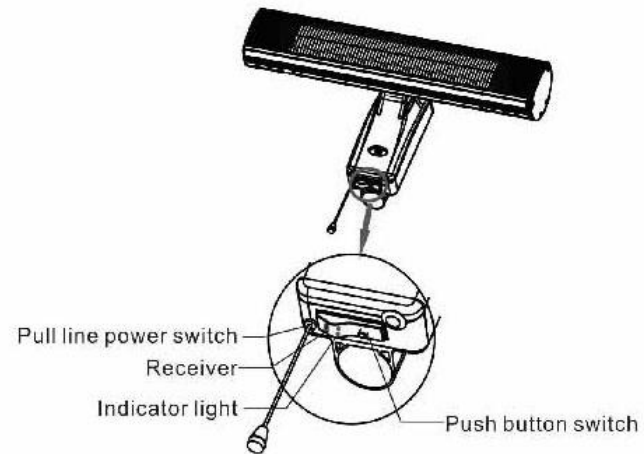
Step 2: Connect the two middle tubes with bottom tube by screwing them together.
Connect the top tube with middle tubes by screwing them together.



Step 3: Use M4*10 screws fix the whole heater head to the stand.

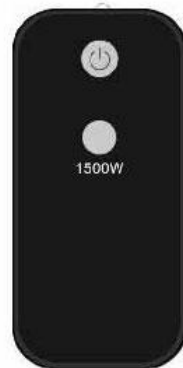


Operating Instructions



Use pull line power switch to control power on/off.

Use push button switch to control different settings.



The product is energized, the pulling wire switch power indicator light flashes.

1 Press the remote control power indicator icon, the product run into the standby mode.

2. "1500W" heating mode

Only use the heater on a firm solid horizontal surface where all the feet on the base are in contact with the floor. (Should the heater be tilted or fall over the auto cut off switch will activate)

1. Position the heater outside or in a large open area and well away from any obstructions such as branches or where the heater is near any objects that can be affected by heat, such as furniture, curtains or other inflammable objects (minimum distance 1 meter).
2. Do not use in non-ventilated areas.
3. Do not push any items through, obstruct or cover the grill of the heater head.
4. Do not move when connected to a power supply and always wait for the heater to cool down before storing away.
5. The head of the unit is at high temperature during operation. Do not touch the heater head when in use. Unplug the unit and wait till it cools before cleaning
6. Do not leave turned on and unattended especially when children and or animals are in the vicinity.
7. The indication of the different positions of switches shall be visible from a distance of 1.5m.
8. The rating label or other marks shall be visible after the heater has been installed. It shall not be placed at the back side of heaters.
9. The unit must be fixed with the clearance of 100cm to the wall and 30cm to the ceiling.
10. The unit must be correctly installed according to the instructions. Make sure the head is at least 1.8m from the floor.
11. The unit is at high temperature during operation. It keeps hot for a period after shut down. Potential danger would occur when touching it during this period.
12. Don't cover the unit with anything during operation or a short time after it's shut down. Don't wrap the power cable around the unit.
13. The unit must be handled with care, and avoid vibration or hitting.
14. The unit must be securely grounded during operation.
15. If the unit gets damaged, it must be repaired by professional electricians.
16. The unit is for household use only. It is not safe to use on a building site, greenhouse, and barn or stable where there's flammable dust.
17. Don't use this unit in place where causticity or volatile air exists, i.e. dust, steam, gas, etc.
18. Don't use this unit as a cloth drier or towel drier. Don't use this unit as a sauna heater. Don't use this unit in animal farm. Don't immerse this unit into water for cleaning.
19. The unit should be plugged in a socket, which is easily visible and reachable.
20. Two Dark points may exist on the surface of the heating elements during the first few minutes after it is turned on. This is normal, and will not affect the performance of the unit.

Specifications

Model: TH15R

Voltage	AC120V
Frequency	60Hz
Electric Power	1500W



The symbol on the product or in the instructions means that your electrical and electronic equipment should be disposed at the end of its life separately from your household waste.

There are separate collection systems for recycling in the EU.

For more information, please contact the local authority or your retailer where you purchased the product.

Thank you for purchasing this product! If you have questions about assembly or operation of this product, are missing parts, or if the product is damaged, please contact us via **Amazon Message** or call customer serve Phone: **213-4467172**.

IMPORTANT

Do not return this product to the store.

Simply call our customer service department for any questions or concerns:

213-4467172

(8:30am - 5:30pm P.S.T.)

DATED PROOF OF PURCHASE REQUIRED FOR WARRANTY SERVICE.

AVIS

Ne pas retourner ce produit au magasin.

Veuillez appeler le service à la clientèle pour toutes questions au:

213-4467172

(8:30am - 5:30pm P.S.T.)

PREUVE D'ACHAT ORIGINALE REQUISE POUR SERVICE DE GARANTIE.

IMPORTANTE

No devuelva este producto a la tienda.

Sólo hay que llamar nuestro departamento de servicio

al cliente en caso de tener preguntas o inquietudes:

213-4467172

(8:30am - 5:30pm P.S.T.)

SE REQUIERE PRUEBA DE COMPRA CON FECHA PARA SERVICIO BAJO GARANTÍA.

Add:9733 Topanga Canyon Blvd. APT310, Chatsworth, CA 91311

Phone: 213-4467172